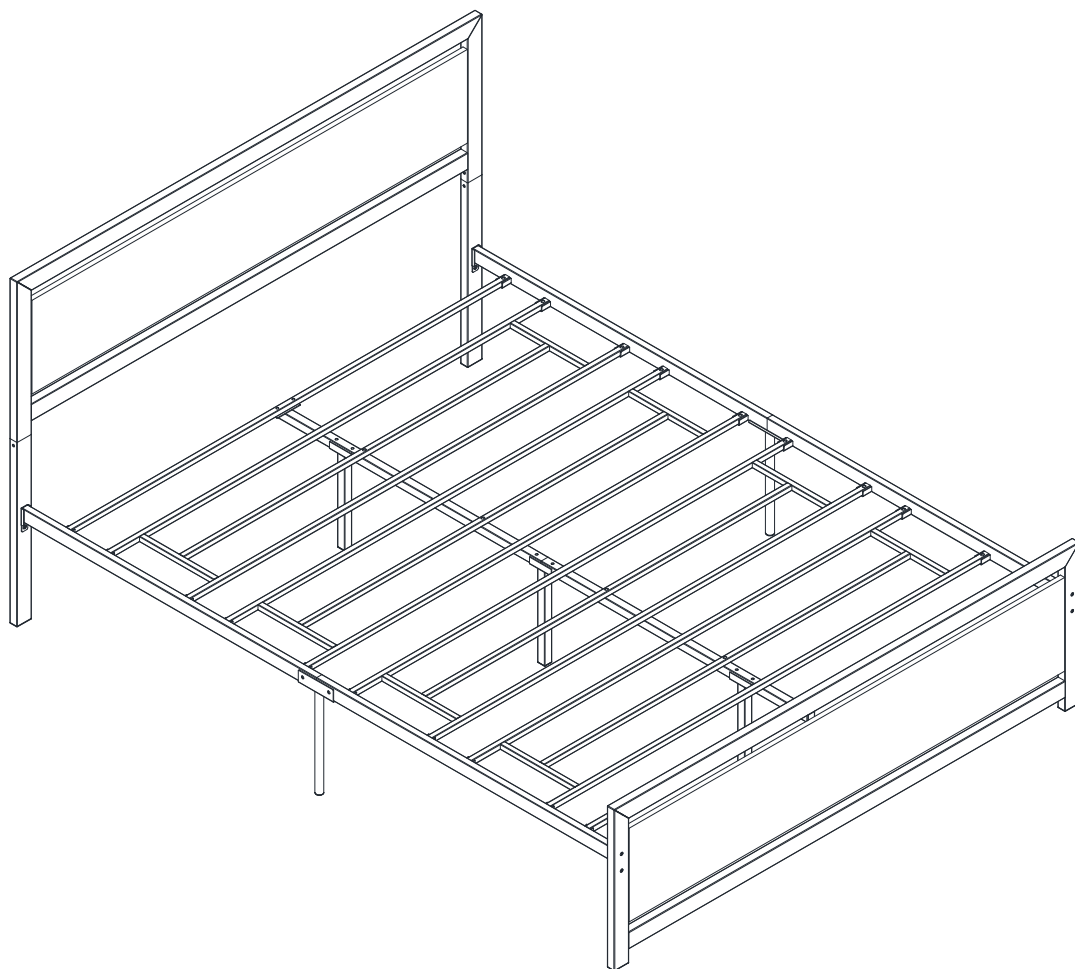
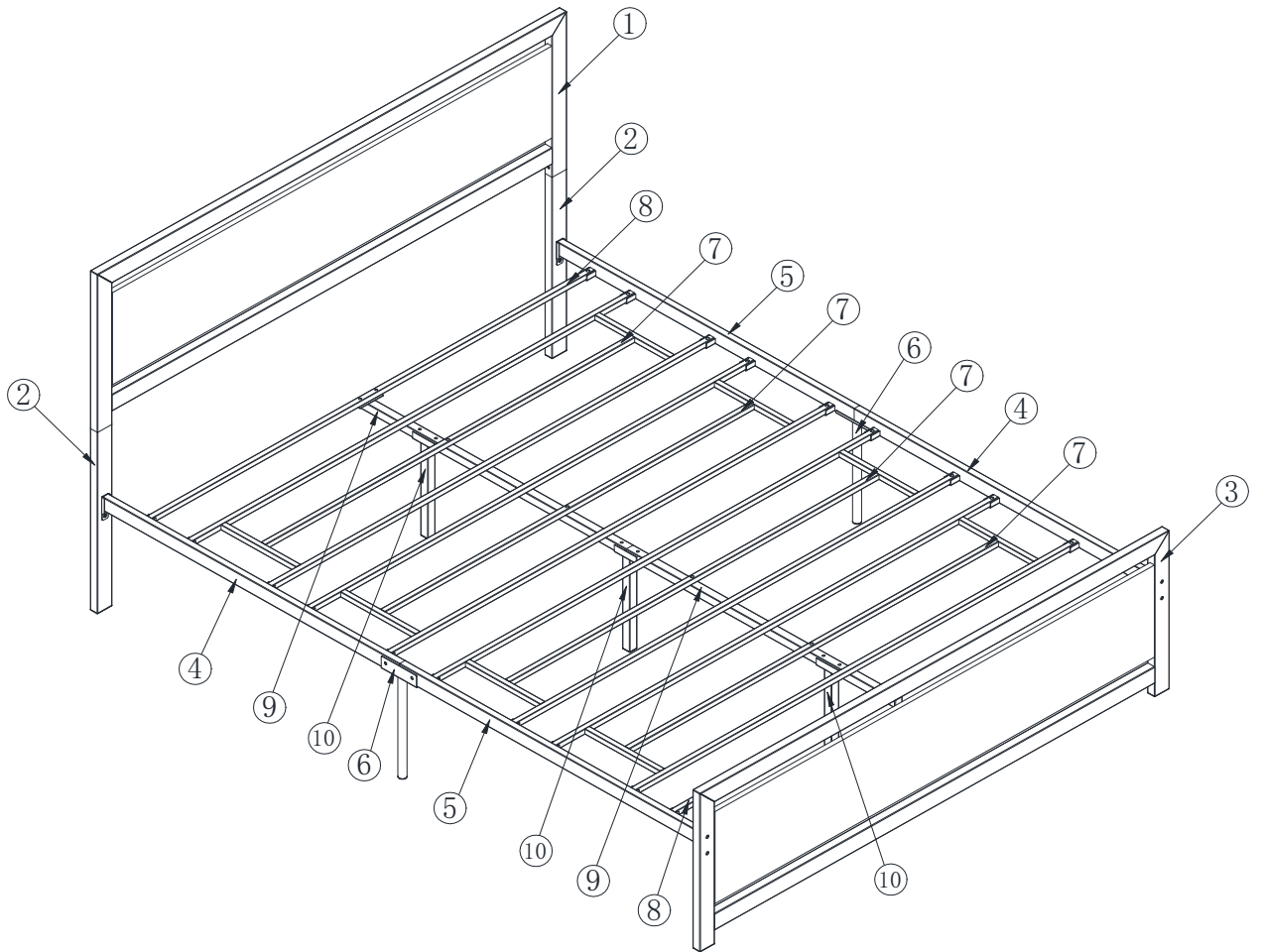












# LIKIMIO

Please don't tighten the screws completely and go back later for a final tightening of all the screws after pieces are aligned with each other.





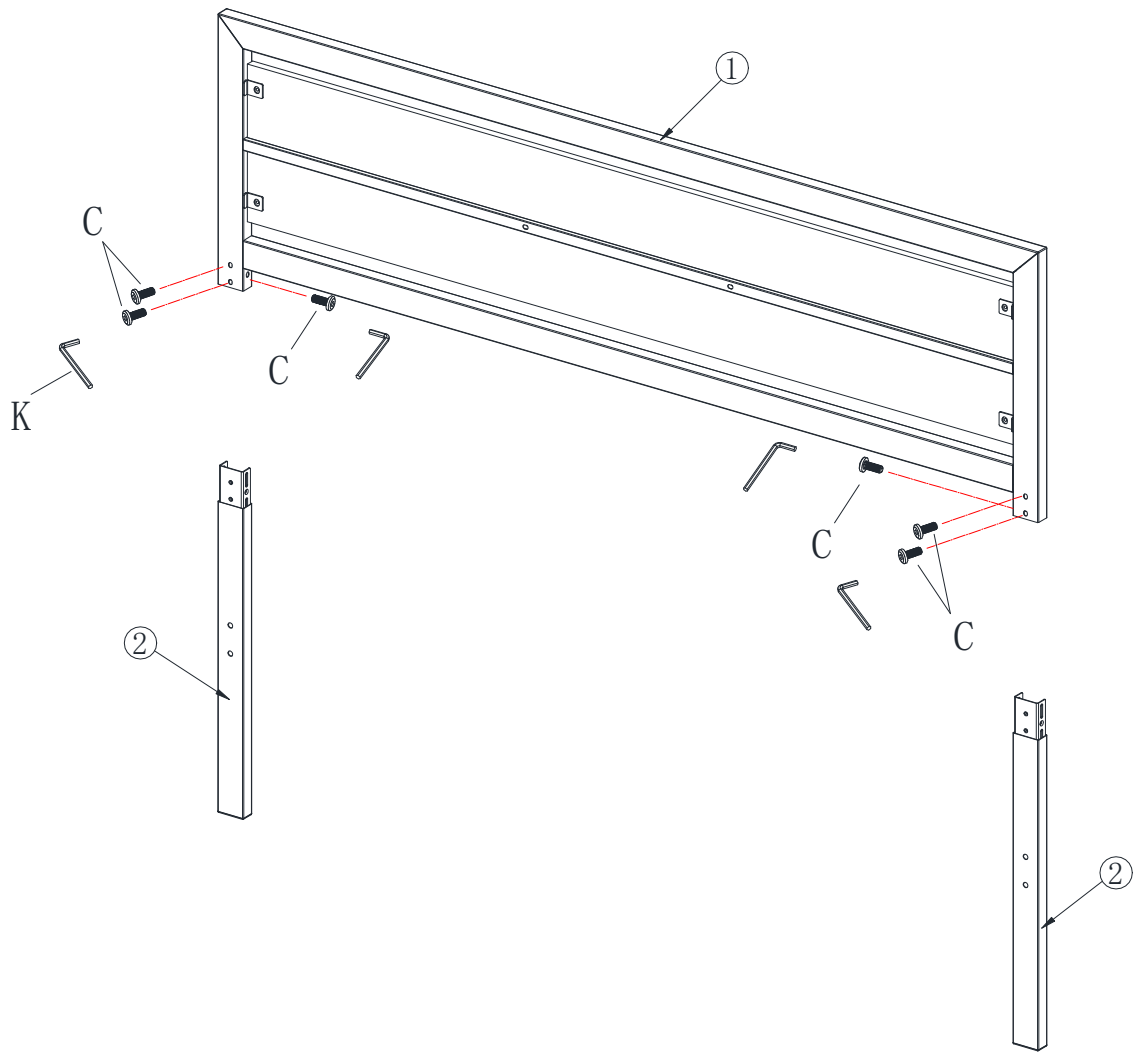


A		M6	10PCS	G		M8*40	8PCS
B		M8	4PCS	H		∅8	8PCS
C		M6*15	14PCS	J		∅6	10PCS
E		M6*25	28PCS	K		S4	1PC
F		M6*35	6PCS	L		S10、13	1PC


1

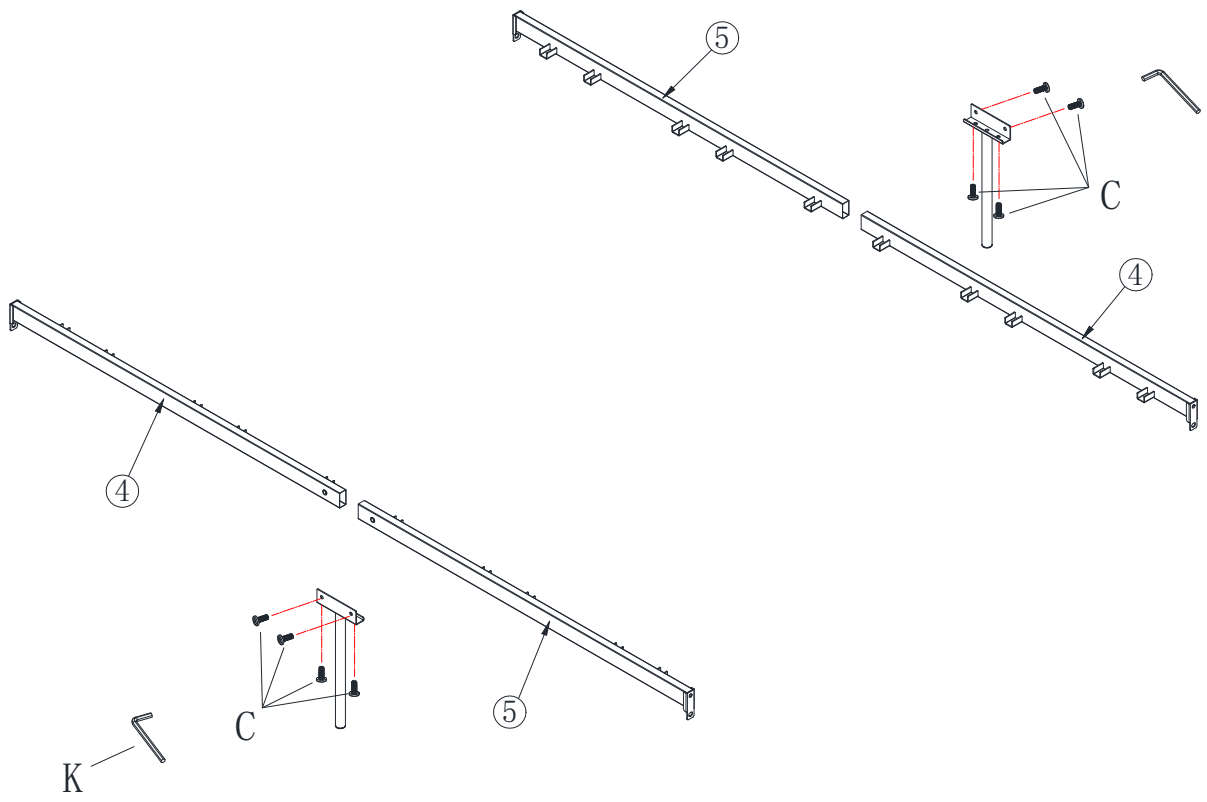
# Step1

C		M6*15	6PCS
K		S4	








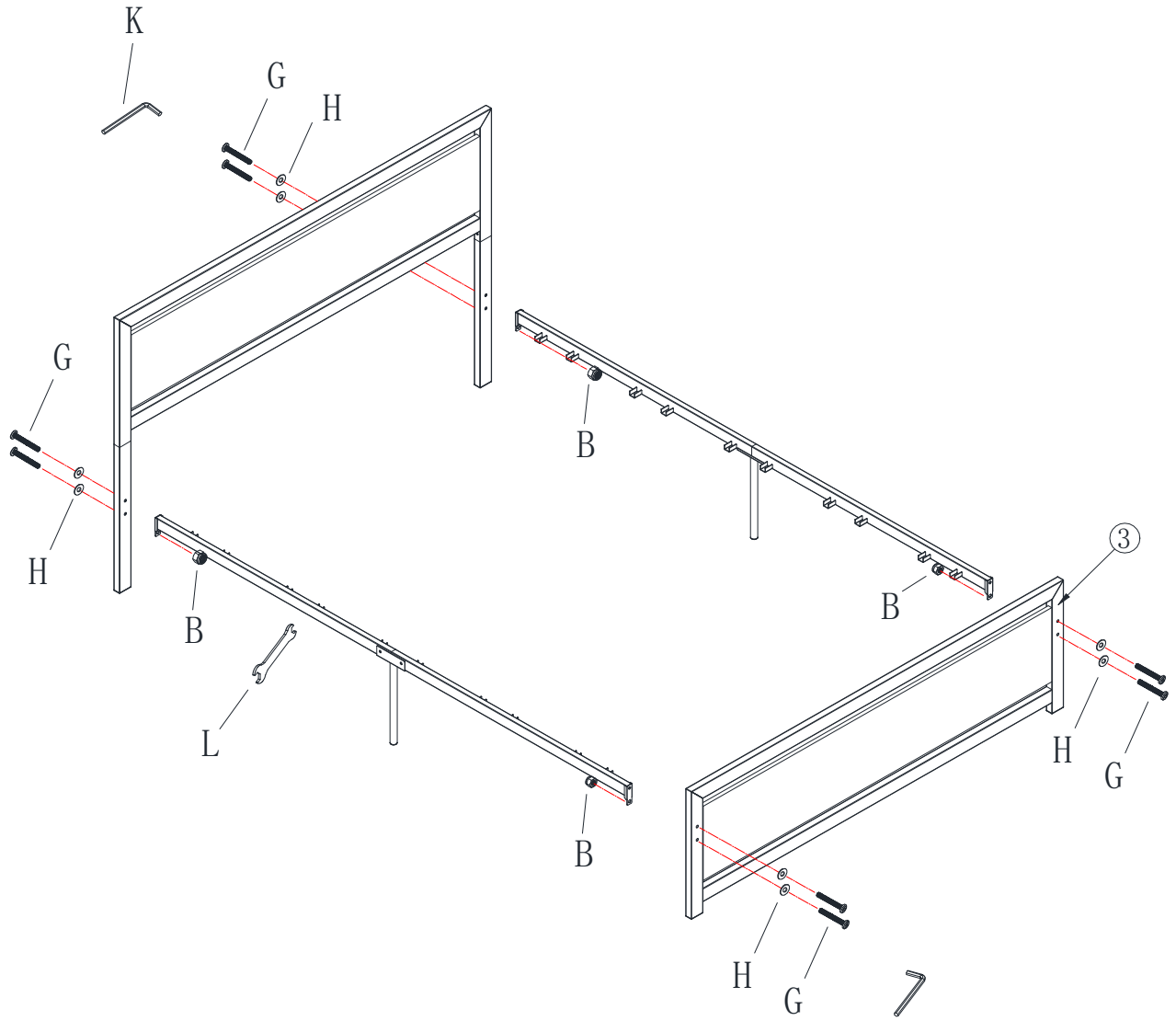
# Step2






C		M6*15	8PCS
K		S4	

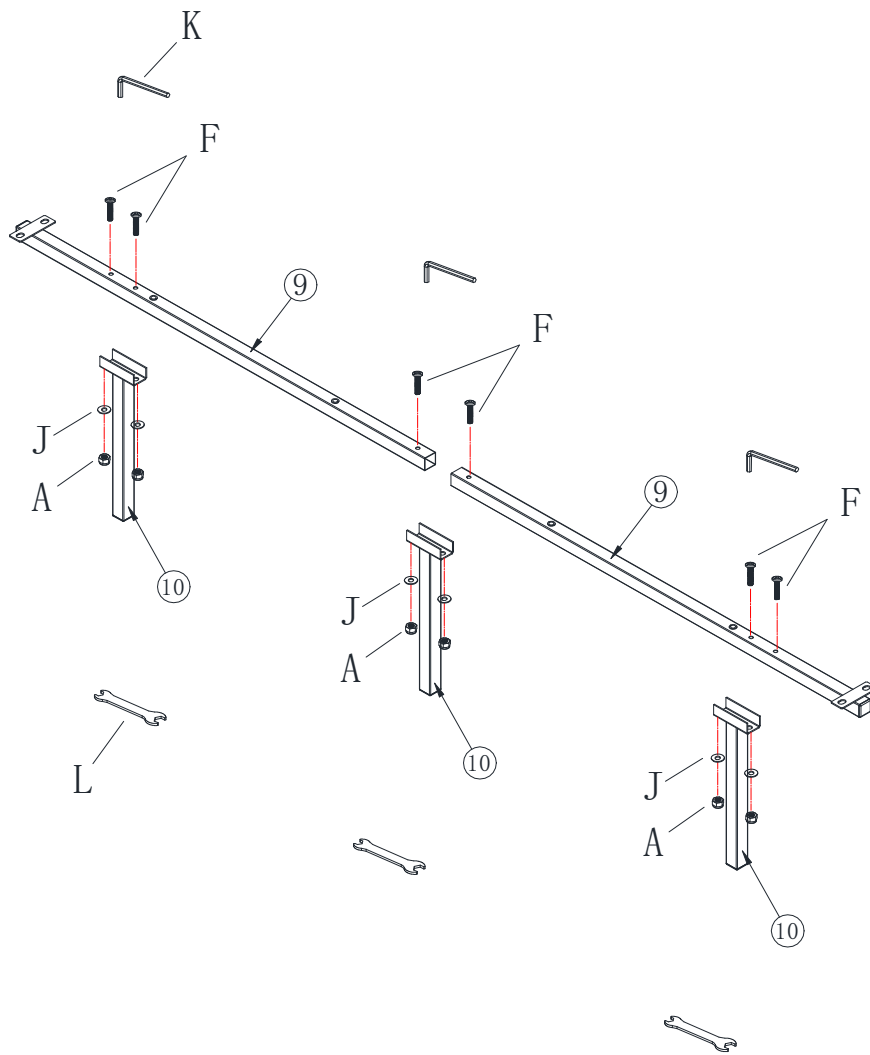







3

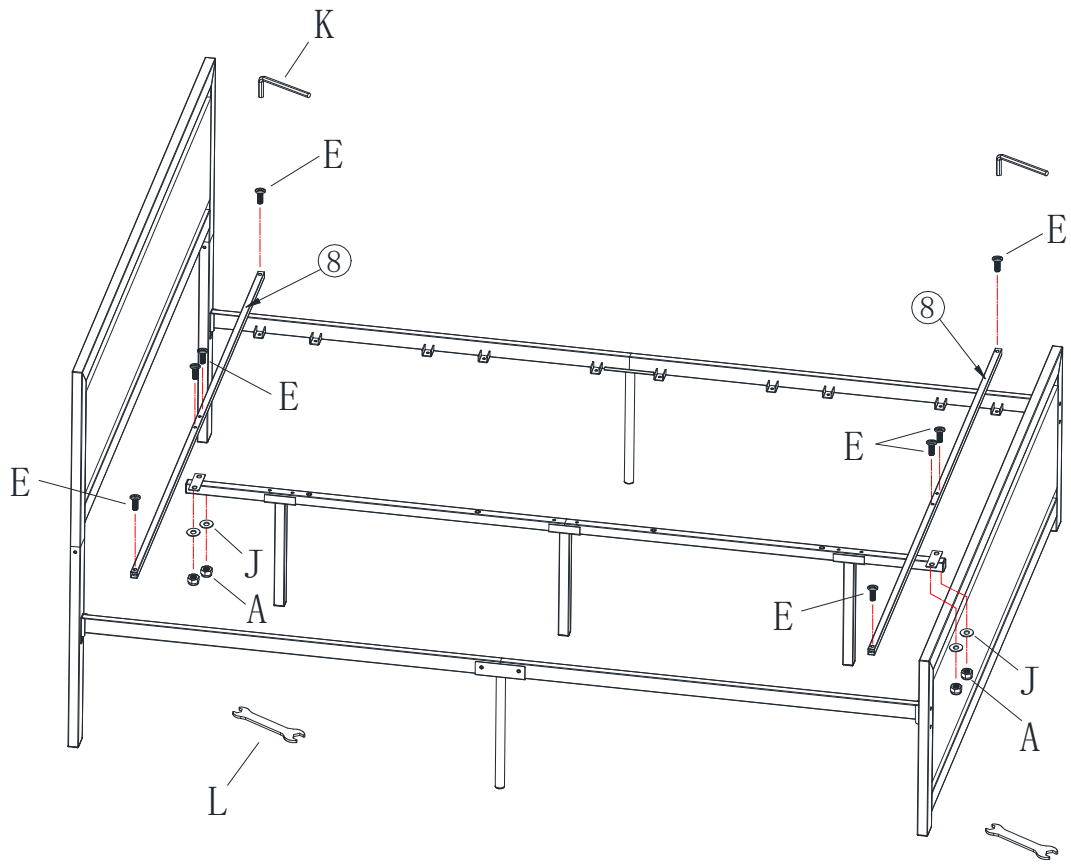
Step3			
G		M8*40	8PCS
B		M8	4PCS
H		∅8	8PCS
K		S4	
L		S10、13	



Step4			
A		M6	6PCS
F		M6*35	6PCS
J		∅6	6PCS
K		S4	
L		S10、13	





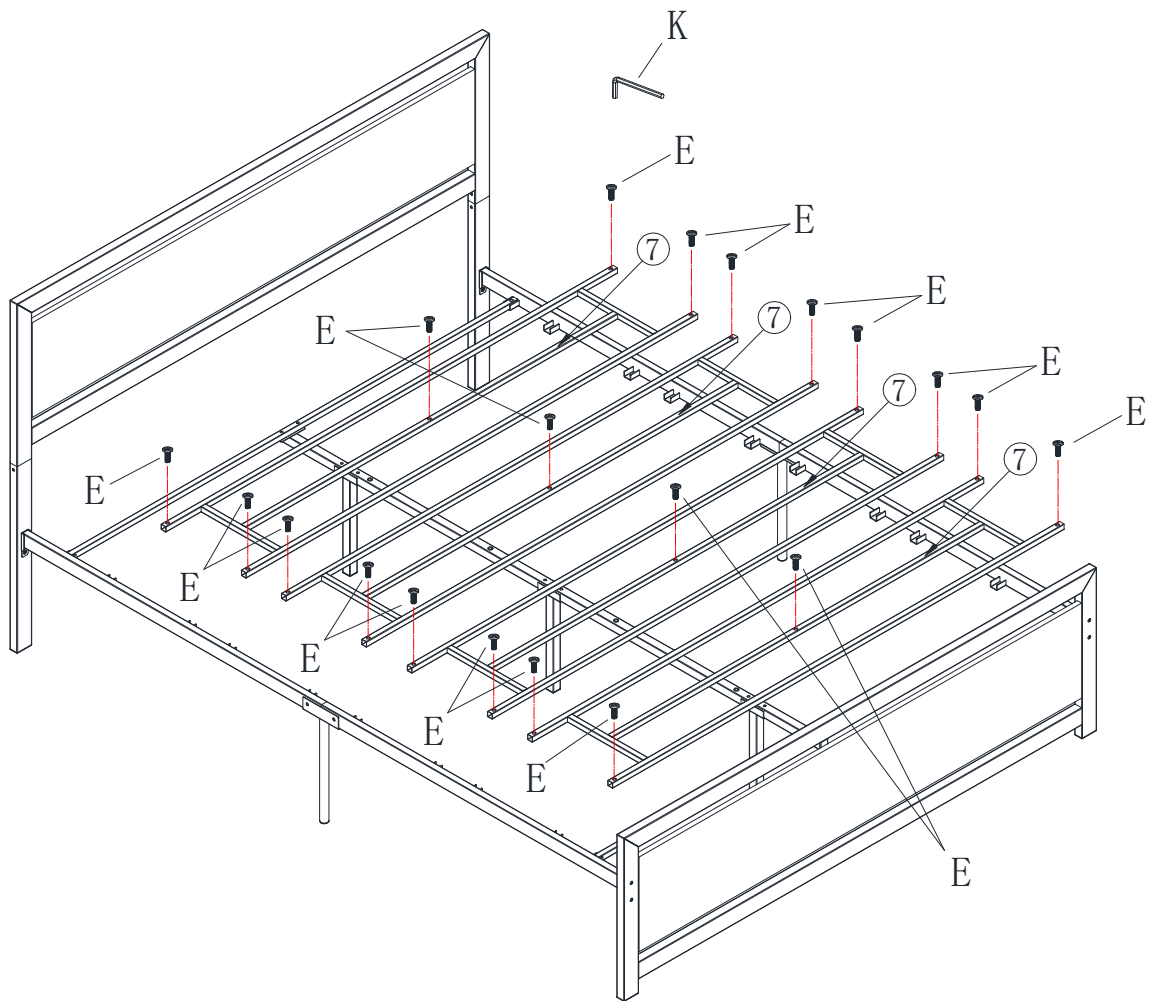
Step5			
A		M6	4PCS
E		M6*25	8PCS
J		ø6	4PCS
K		S4	
L		S10、13	



6

### Step6

E		M6*25	20PCS
K		S4	



If you have any question, please feel free to contact us. Mail us [support@likimio.com](mailto:support@likimio.com)