

**TOWNSEND® UNDER COUNTER SINK  
and OPTIONAL FURNITURE**

- 0330.000 Unglazed Rim**
  - Rectangular under mount sink with tapered interior bowl
  - Made from vitreous china
  - Unglazed rim
  - Front overflow
  - Supplied with mounting kit and template
  - **Coordinates with Townsend® Collection**
  - Sink can be used with design matched quartz top with vanity or washstand furniture

**Bowl Size:**

17-3/4" (450mm) wide  
11-5/8" (294mm) front to back  
4-1/2" (115mm) deep

**Nominal Dimensions:**

*Under Counter Sink Only*  
19-1/2" x 13-5/8" (495 x 346mm)

*Above Counter Sink and Furniture Combinations:*  
30" x 20" x 34 (762 x 508 x 863mm)

- 9036.030** 30" (762mm) vanity less drawer pulls
- 7760.000** Drawer pulls (set of 2) for 30" (762mm) vanity
- 9039.030** 30" (762mm) washstand less towel bar
- 3749.000** Towel bar for 30" (762mm) washstand
- 7840.800.820** Quartz top with 8" (203mm) center faucet holes
- 7720.018** Optional decorative p-trap drain

**Compliance Certifications -**

**Meets or Exceeds the Following Specifications:**

- ASME A112.19.2/CSA B45.1

**To Be Specified:**

- Chinaware Color:  White  Linen
- Vanity Finish:  White  Smoked Grey
- Vanity Drawer Pulls Finish:  Chrome  Brushed Nickel
- Washstand Finish:  White  Smoked Grey
- Washstand Towel Bar Finish:  Chrome  Brushed Nickel
- Faucet\*:
- Supplies:
- P-Trap Finish:  Chrome  Brushed Nickel

\* See Townsend faucet section for models available



**MEETS THE AMERICANS WITH DISABILITIES ACT GUIDELINES  
AND ICC ANSI A117.1 ACCESSIBLE AND USABLE  
BUILDINGS AND FACILITIES - CHECK LOCAL CODES.**

Install lavatory 864mm (34") from finished floor.  
Lavatory installed 102mm (4") minimum from front edge  
of countertop provides 686mm (27") knee clearance area.  
Not compliant when used with optional furniture.

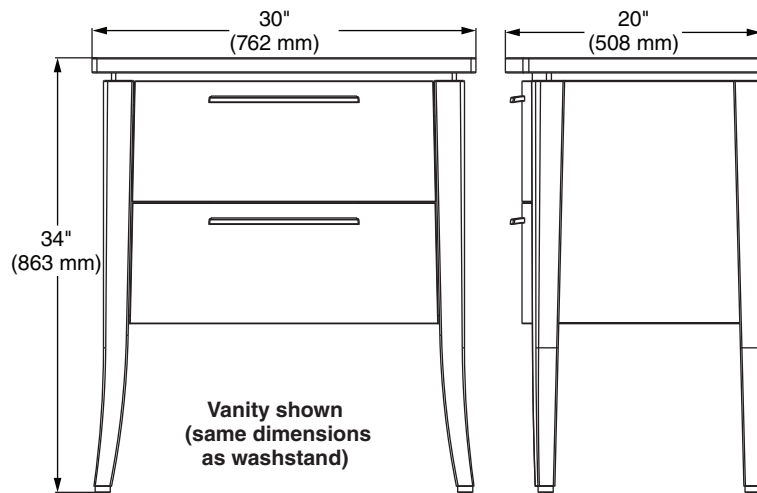
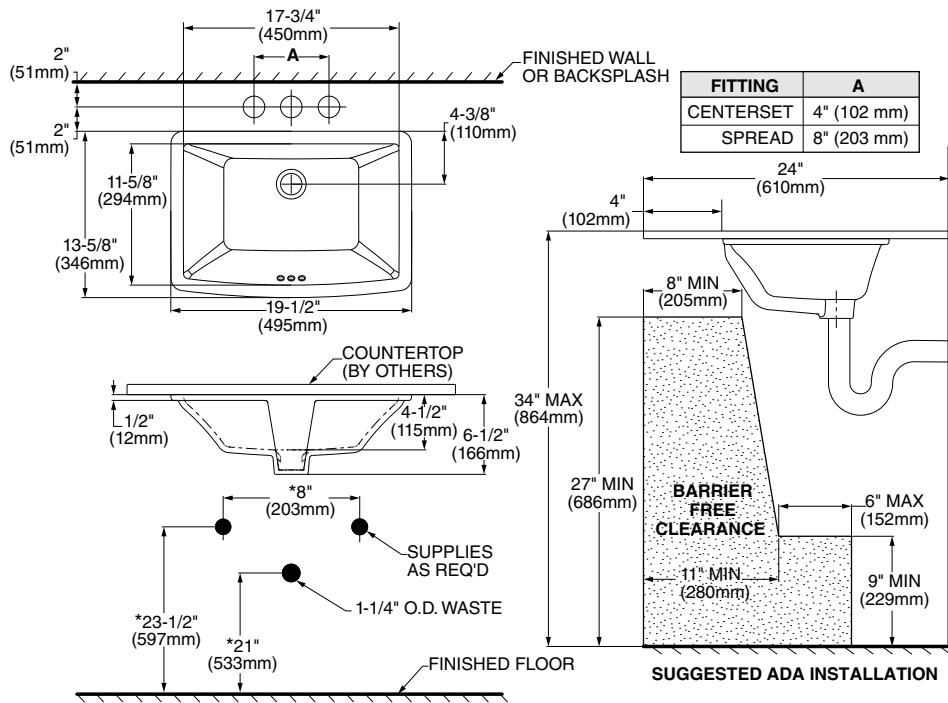


Townsend under counter sink 0330.000



Townsend under counter sink 0330.000  
shown with 7840.800.820 quartz top and  
9036.030 vanity and 7760.000 drawer pulls

SEE REVERSE FOR ROUGHING-IN DIMENSIONS



**NOTES:**  
 \* DIMENSIONS SHOWN FOR LOCATION OF SUPPLIES AND "P" TRAPS ARE SUGGESTED.  
 FITTING NOT INCLUDED AND MUST BE ORDERED SEPARATELY.  
 FOR COUNTERTOP CUTOUT AND INSTALLATION USE TEMPLATE SUPPLIED WITH SINK.  
 FURNITURE SPECIFIC INSTRUCTIONS SUPPLIED WITH OPTIONAL FURNITURE.

**IMPORTANT:** Dimensions of fixtures are nominal and may vary within the range of tolerance established by ANSI Standard A112.19.2. These measurements are subject to change or cancellation. No responsibility is assumed for use of superseded or voided pages.