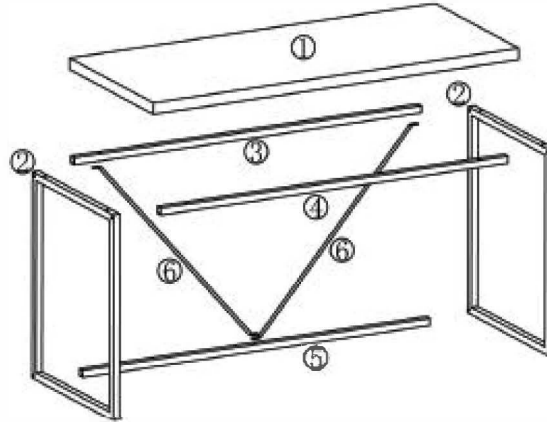
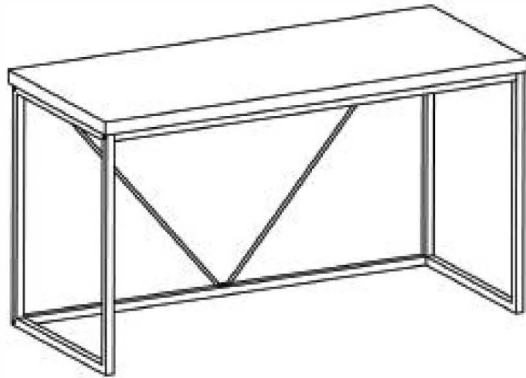


COMPUTER DESK ASSEMBLY INSTRUCTION

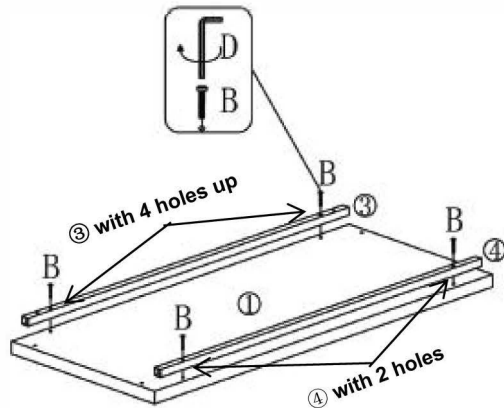
COMPUTER DESK



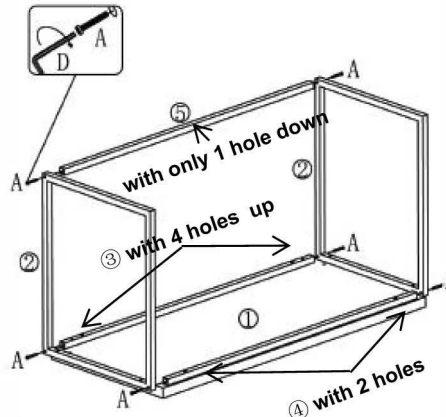
Parts & Hardwares

①*1	②*2	③*1	④*1	⑤*1	⑥*2
Table Top	Table Leg	Rear Rail	Front Rail	Bottom Rail	Tube
A	B	C	D		
M6*50	M6*40	M6*12	M4	Allen Key	
6PCS	8PCS	3PCS	1PCS		

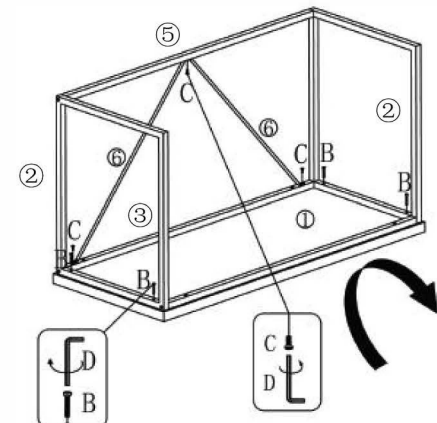
Step 1: Lay the Table Top(①) upside down onto a clean smooth surface such as carpet or cardboard. Align and fix Rear Rail(③) with 4 holes and Front Rails(④) with 2 holes to the Table Top(①) with screw(B) by Allen Key(D). Make sure the screw holes on Rear Rail(③) face up. Do not fully tighten all bolts until all parts are in place.



Step 2: Attach and fix two Table Legs(②) to the assembled Rear Rail(③) and Front Rails(④) by using screw(A) with supplied Allen Key(D). Align and tighten the Bottom Rail(⑤) to Table Legs(②) by using screw(A) with Allen Key (D). Make sure the screw hole on Bottom Rail(⑤) face Rear Rail(③). Do not fully tighten all bolts.



Step3: Attach and fix two support tubes(⑥) to the assembled Rear Rail(③) and Bottom Rail(⑤) by using screw(C) with supplied Allen Key(D). Tighten table legs(②) to table top by using screw (B). And then fully tighten all the screws. Flip the desk upright with the help of another person.



COMPUTER DESK ASSEMBLY INSTRUCTION

Thank you for purchasing computer desk. You can find us and get the product support quickly, if you have any problem or question. We are always at your service!

PRE-ASSEMBLY

- (1) Proper assembly of this item requires 2 people.
- (2) Do not dispose of any contents until assembly is completed to avoid accidentally discarding small parts or hardware.
- (3) Remove all parts and hardware from box and lay out on a carpeted or scratch-free work surface, such as the cardboard, as this will avoid damaging any parts during assembly.
- (4) Do not fully tighten all bolts until all parts are in place. Failure to follow these instructions may cause the bolts to misalign during assembly.

CARE INSTRUCTIONS

- (1) Hardware may loosen overtime. Periodically check that all connections are tight.
- (2) Wipe with a soft, dry cloth. To protect finish, avoid the use of chemicals and household cleaners.
- (3) All hot serving dishes should be placed on a pad.
- (4) Any liquid spilled onto the furniture should be cleaned up immediately with a damp cloth.