

Dual-compartment step trash can

Features

- Dual 5.5-gal. compartments for separating trash and recyclables.
- Fits 13-gal. trash bags.
- Fingerprint-resistant finish stays cleaner longer.
- Hands-free operation with durable metal foot pedal.
- Raised liners and locking rim for easy bag changes.
- Quiet-Close™ seat and lid prevents slamming.
- Space-saving profile fits snugly against wall or cabinets.
- Hinge design protects wall from scuffs.
- Removable plastic liners are easy to clean.
- For regular cleaning, use a damp microfiber cloth. Do not use cleaners or abrasives.

Material

- Available in Stainless Steel, Black Stainless Steel, and White & Stainless Steel.

Recommended Products/Accessories

Stainless steel cleaner



Codes/Standards




None Applicable

Step Trash Can Ten-Year Limited Warranty

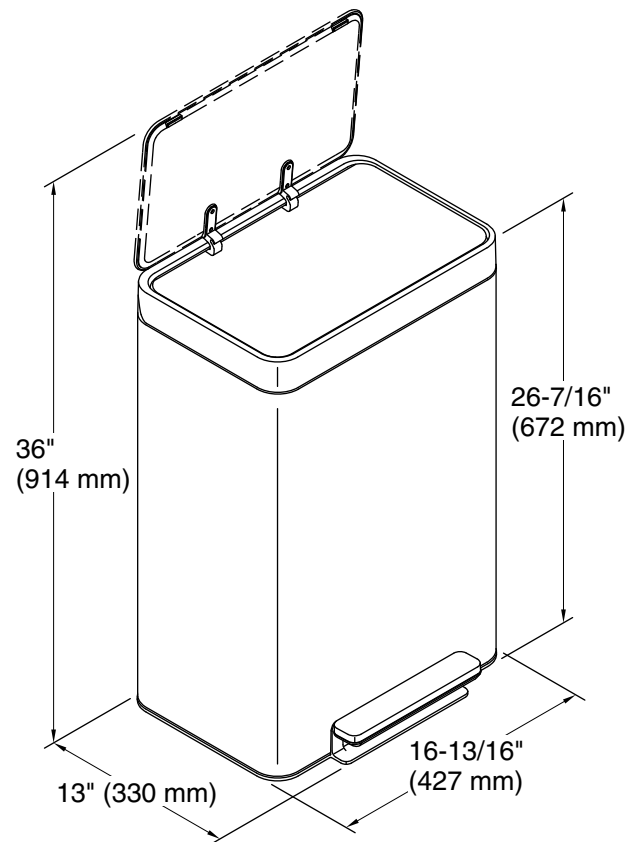
See website for detailed warranty information.

Available Colors/Finishes

Color tiles intended for reference only.

Color	Code	Description
	ST	Stainless Steel
	BST	Black Stainless
	STW	White and Stainless Steel

Dual-compartment step trash can



Technical Information

All product dimensions are nominal.

Material: Stainless Steel