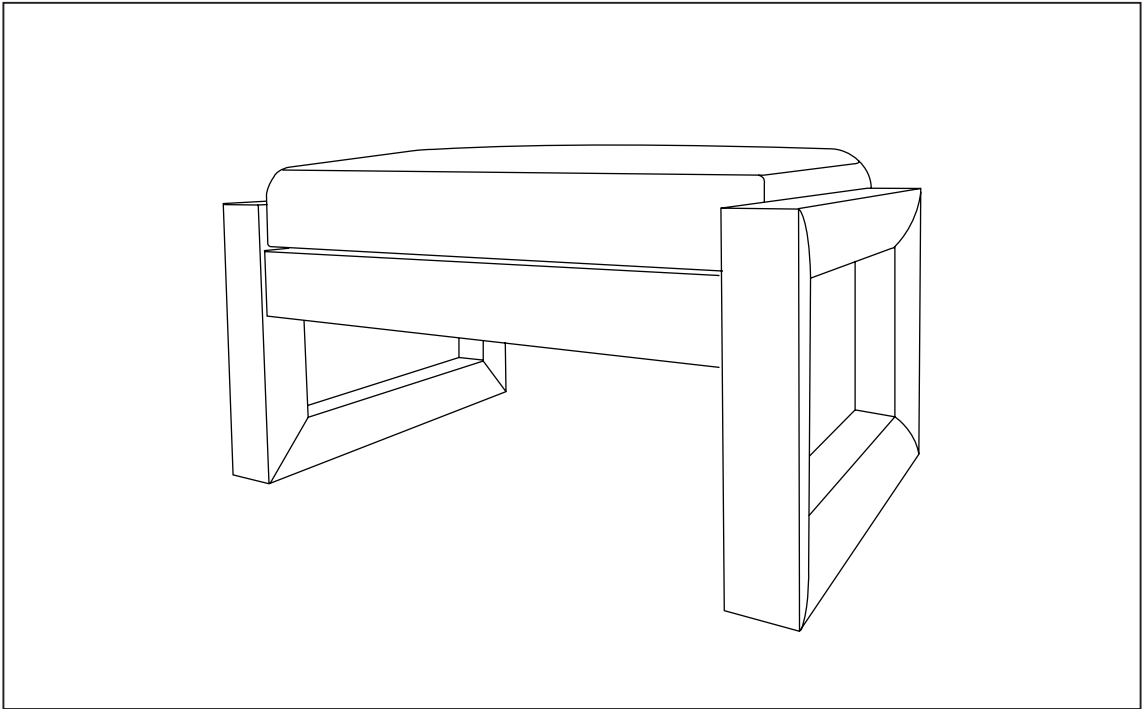


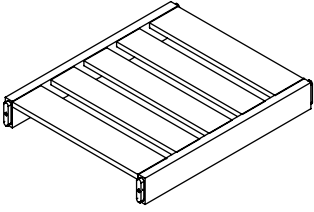
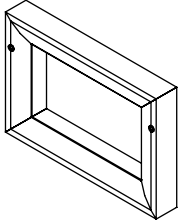


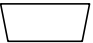


# Ottoman



## ASSEMBLY INSTRUCTIONS

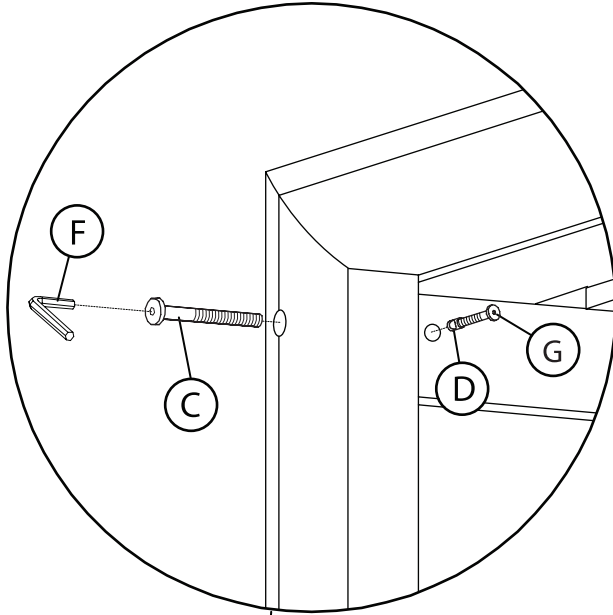
**IMPORTANT, RETAIN FOR FUTURE REFERENCE.  
READ CAREFULLY.**

# PARTS LIST

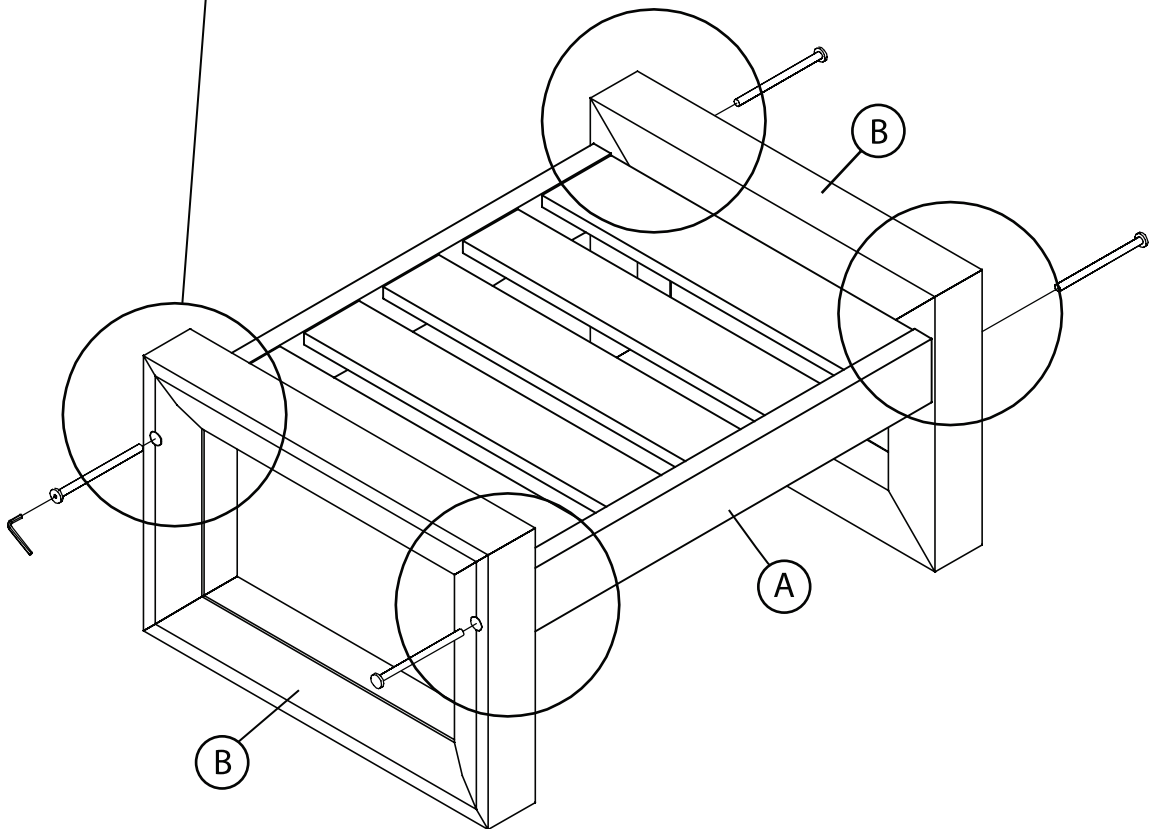
NO	PICTURE	PART DESCRIPTION	QTY.
A		Ottoman base	1
B		Leg frame	2
C		Bolt (M6 x 100)	4
D		Barrel nut	4
E		Plastic cap	4
F		Allen wrench # 4	2
G		Barrel nut extension bolt (M6 x 40)	1

# Step 1.

**ATTACH LEG FRAMES TO BASE** - Attach leg frames (B) to base (A) using bolts (C), barrel nuts (D), and allen wrenches (F).

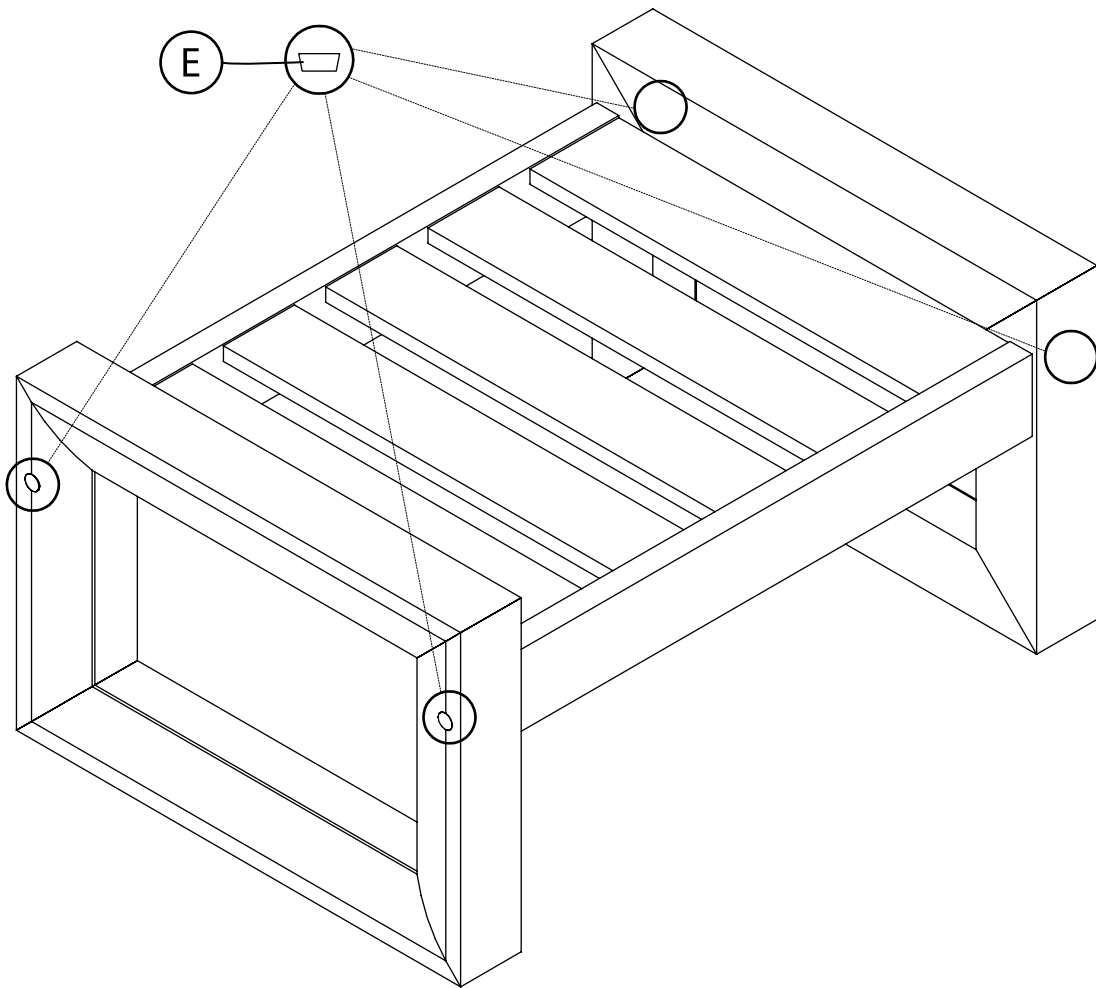


**NOTE:** Use bolt (G) as an extension to insert barrel nut (D) into the hole found on the ottoman base (A). Screw the bolt into the top of the barrel nut. Once bolt (C) is secured through the frame and into the barrel nut (D), remove bolt (G) from barrel nut (D).



## Step 2.

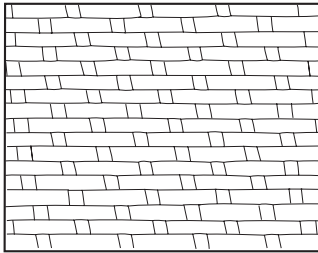
**INSERT PLASTIC CAPS INTO BOLT HEADS-** Insert plastic caps (E) into exposed bolt heads found on the sofa's leg frames.



# Care and Maintenance

All outdoor furniture is subject to UV rays and weather elements. In order to keep your furniture as long lasting and vibrant as possible, we advise using furniture covers or storing the furniture when not in use. For more information about the materials used to make our furniture please visit us.

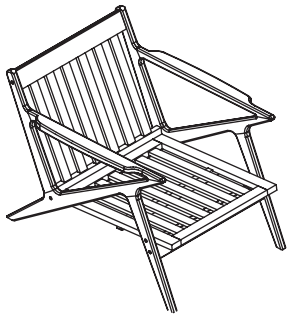
---



## WICKER

Simply washing your wicker with a mild detergent and protecting it as much as possible by covering and or storing it when not in use for long periods of time is sufficient.

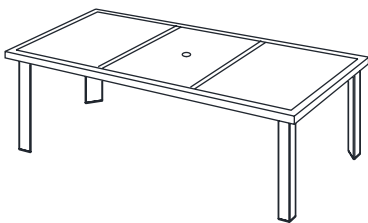
---



## WOOD FRAMES

Make sure all surfaces are protected from heat and liquids. Wipe up spills immediately and do not place furniture next to a heat source such as radiators or fires. All timber surfaces may change color. Spray polishes are best to avoid as they contain silicones which may spoil the surface by building up overtime. Check bolts and screws regularly and tighten when necessary.

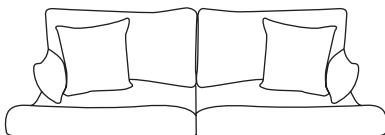
---



## STONE TOPS/ TABLE TOPS

Spills should be wiped up quickly to avoid any staining on the surface. Regular cleaning with mild soap and water with a sponge or soft scrub brush is all that is required. Storing or covering your natural stone top when not in use for extended periods of time is recommended.

---



## FABRICS

Wipe off spills with a cloth and water. We uses fabrics designed to protect and last for several years. Our fabrics are treated with a proprietary water and stain repellent. For more information visit us and follow instructions on the container.