



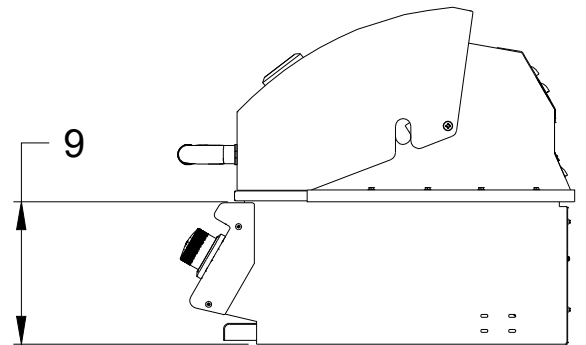
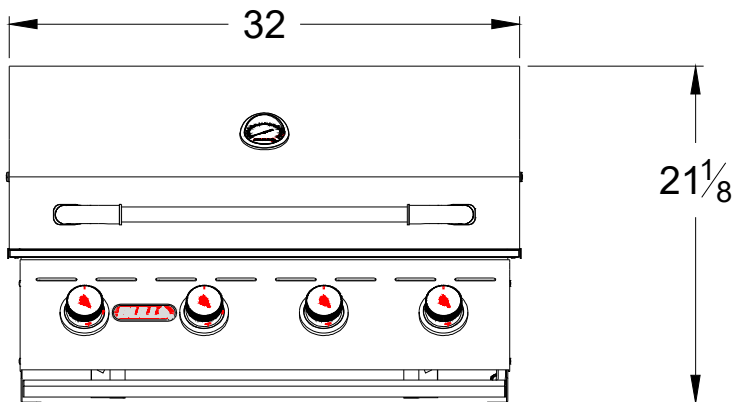
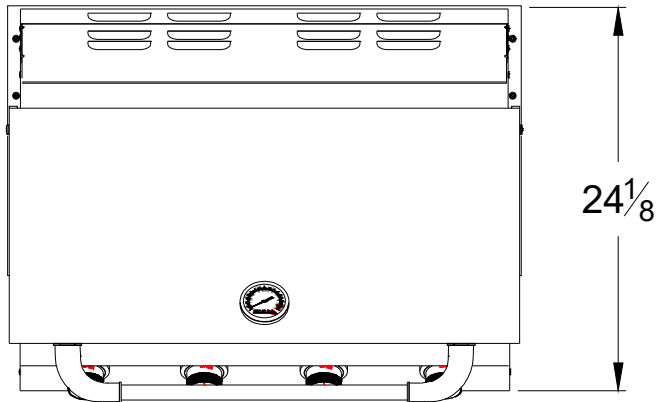
WWW.BULLBBQ.COM

SPEC SHEET
OUTLAW GRILL

ITEM #

26038 LP (LIQUID PROPANE)

26039 NG (NATURAL GAS)



NOTES:

1. ALL DIMENSIONS ARE IN INCHES
2. INSTALLATION CUTOUT DIMENSIONS: 31 WIDE X 21 DEEP X 9 1/2 TALL
3. ISLAND MUST BE CONSTRUCTED OF NON-COMBUSTIBLE MATERIAL.