

WARRANTY

We strive to offer high-quality products, and we also try our best to satisfy each and every customer that orders from us with product or service as needed.

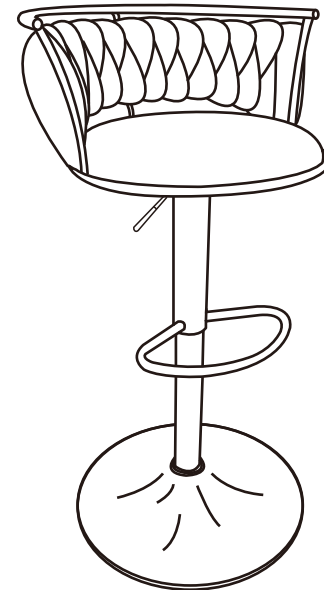
Each customer must provide a record of their order such as the order number, or item receipt for any items that are out of the warranty period you may also still receive replacement parts by purchasing them with our company if they are available.

**Are you having difficulty
with assembly? Missing parts?**

**For return, please check the return policy with
the retailer or market place you bought from.**

Appreciate your purchasing from us.

Pop up your life by our furniture !



NOTE:

This brochure contains IMPORTANT safety info.
Please read and keep for future reference.

MAINTAINANCE AND WARNING

- Keep furniture away from heat and fire.
- Keep furniture away from sharp objects.
- Do not clean furniture with harsh cleansers or polish. Do not use detergents, Solvents, abrasives, spray packs or leather cleaner. Use non-color mild soap with warm water clean spills(Mix 1:10 soap to water)
- Do not place furniture under direct sunlight, material will possibly fade over time.
- Do not jump or strike on the furniture.
- Do not write on furniture without a padded barrier to protect the surface.
- Not for commercial use, For residential use only.

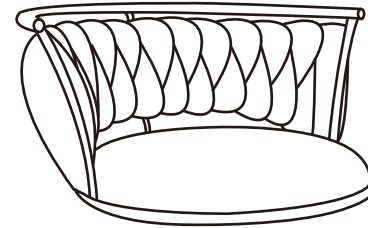


Weight Limitation

400LBS

PARTS LIST

A*1



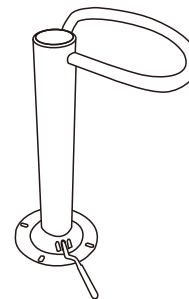
Seat

B*1



Base

C*1



Connector

D*1



Gas lift

HARDWARE and TOOL LIST

①*4

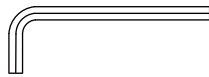
M6*16mm



Bolt

②*1

M6



Allen Key

SPARE

①*1

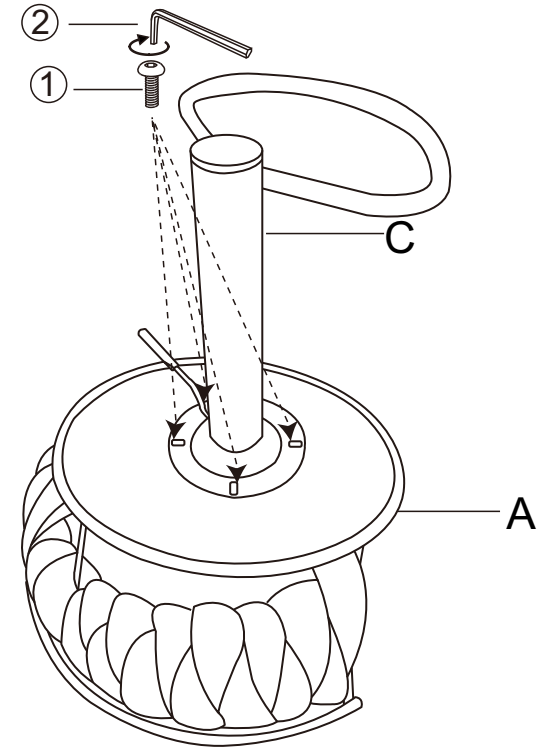
M6*16mm



Bolt

Be sure to check all packing materia fit the packing list. Carefully for small parts, which may have come loose inside the carton during shipment. The instructions are for the assembly of one chair.

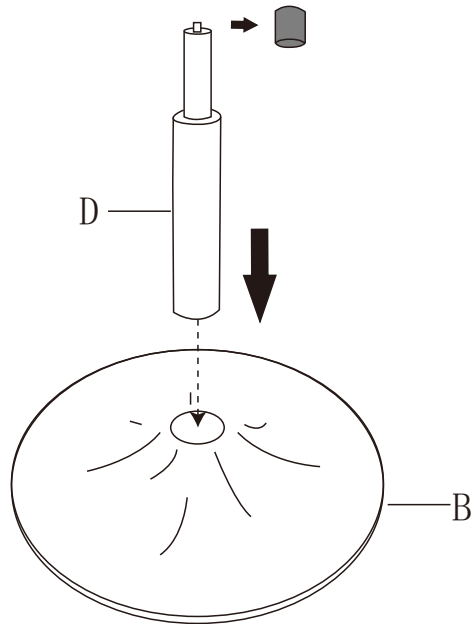
ASSEMBLY INSTRUCTIONS



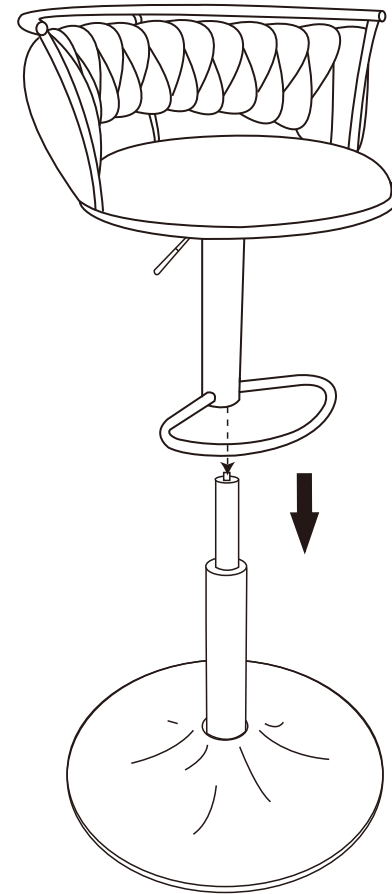
STEP1: Attach connector (C) to seat (A) with bolts (1) and allen key (2). Don't screw 100% until all of them are right in the holes so that you can adjust slightly during the process of assembly.

Notice!!!

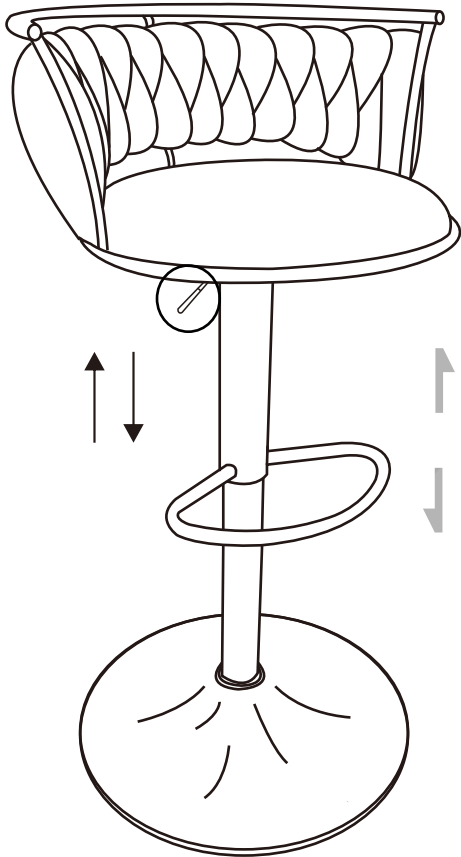
Remove the black plastic cover from the top of the lift bar.



STEP2: Remove the black plastic cover from the top of the lift bar. Insert the gas lift (D) into the center hole of the Base(B).



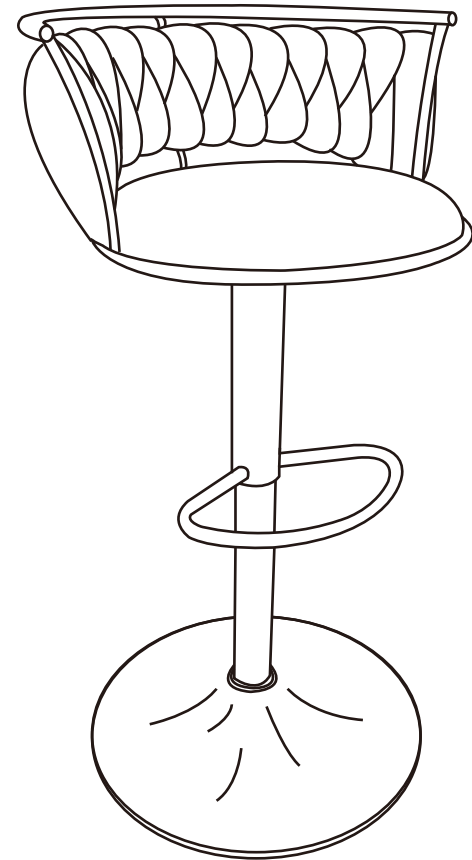
STEP 3: Insert the step 1 part into the step 2 part.



To raise
while taking your weight off
chair lift lever up.

To lower
while seated, lift lever up.

Seat Height: Paddle-shaped lever on the right side.



Assembly completed.

Notice! ! !

1: After using the chair for a period of time, when rotating and shaking, there may be a slight friction sound, you can add a little lubricating oil (you can also use cooking oil instead) to the part of the lifting combination.

2: The chair rises to the highest position, and there will be a slight shake when using. This is not a quality defect, which is the characteristic of this product itself. If it is not artificially violent shaking, no more than 2 degrees of shaking is safe.