

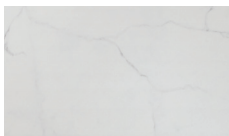


42 GREENE STREET LL NEW YORK NY 10013  
T 212.355.0625 F 212.355.0628 WWW.OASIQ.US

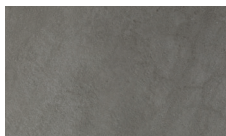


**ATTOL Round Side Table with  
Ceramic Top Small**  
Ø 20 9/16" H 10 1/4"  
17.6 lbs  
Teak & ceramic

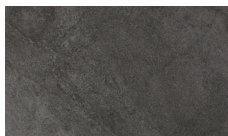
**ATTOL: TABLE TOP**



Ceramic White

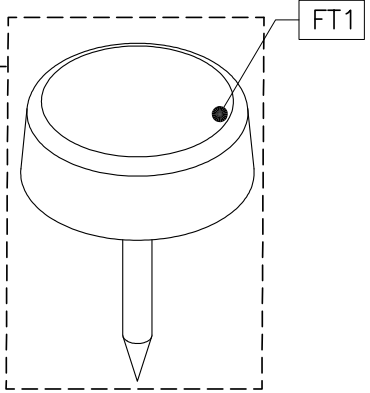


Ceramic Grey



Ceramic Anthracite

D7003+D8001



WF(LF)

ISO VIEW

ISO

**OASIQ**

DWG.NO: FAE0A8-50B

TITLE : ISO VIEW

DIM EXT: 412.2x475.3x238 MM.

MATERIAL: TEAK

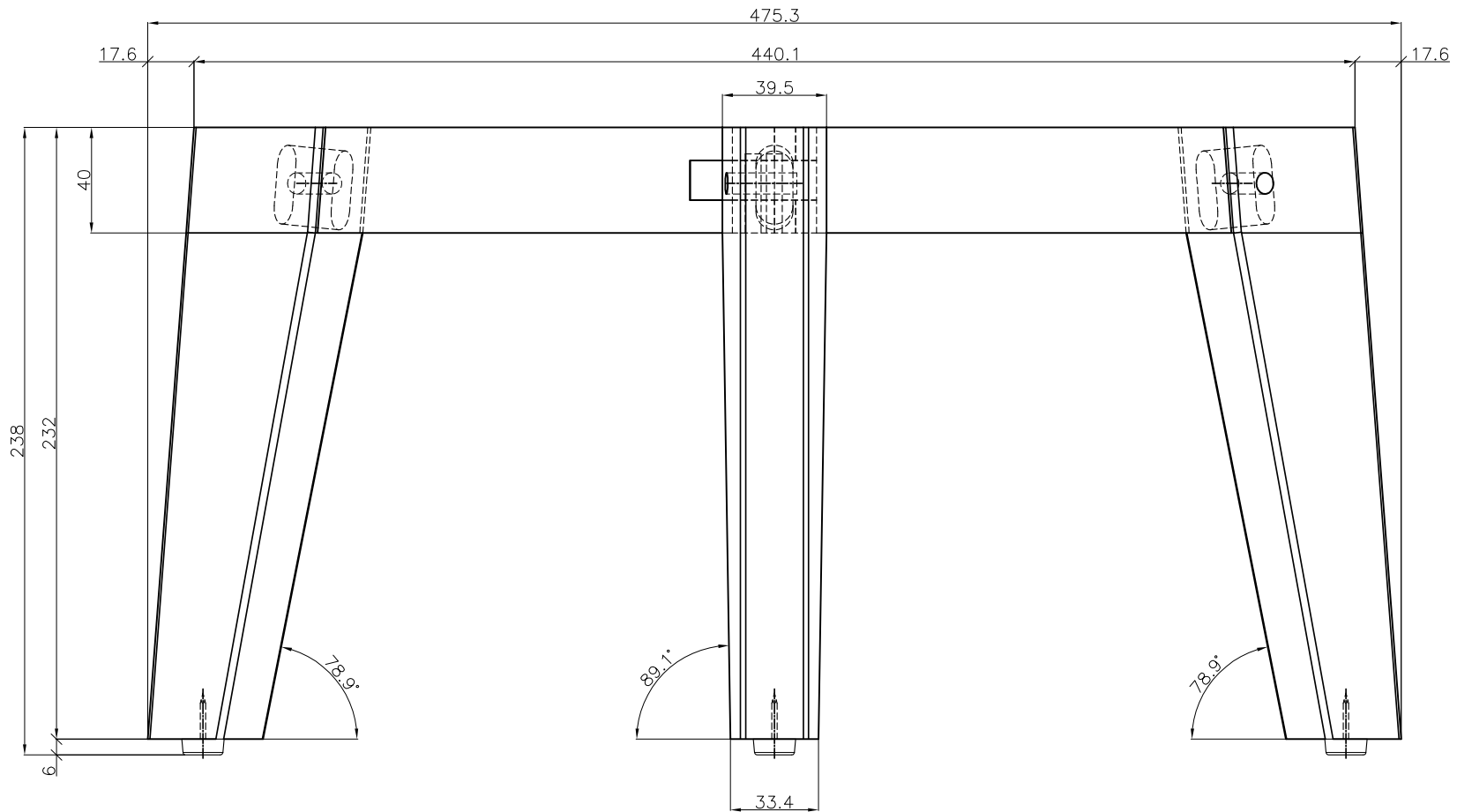
DRAWN BY : CHANAKAN

FINISH DATE : 19-12-15  
BEGIN DATE : 11-06-15

GIG  
GIG

SCALE : 1:1  
⊕ ⚙

P. 3



FRONT VIEW

EF

**OASIQ**

DWG.NO: FAE0A8-50B

TITLE : FRONT VIEW

DIM EXT: 412.2x475.3x238 MM.

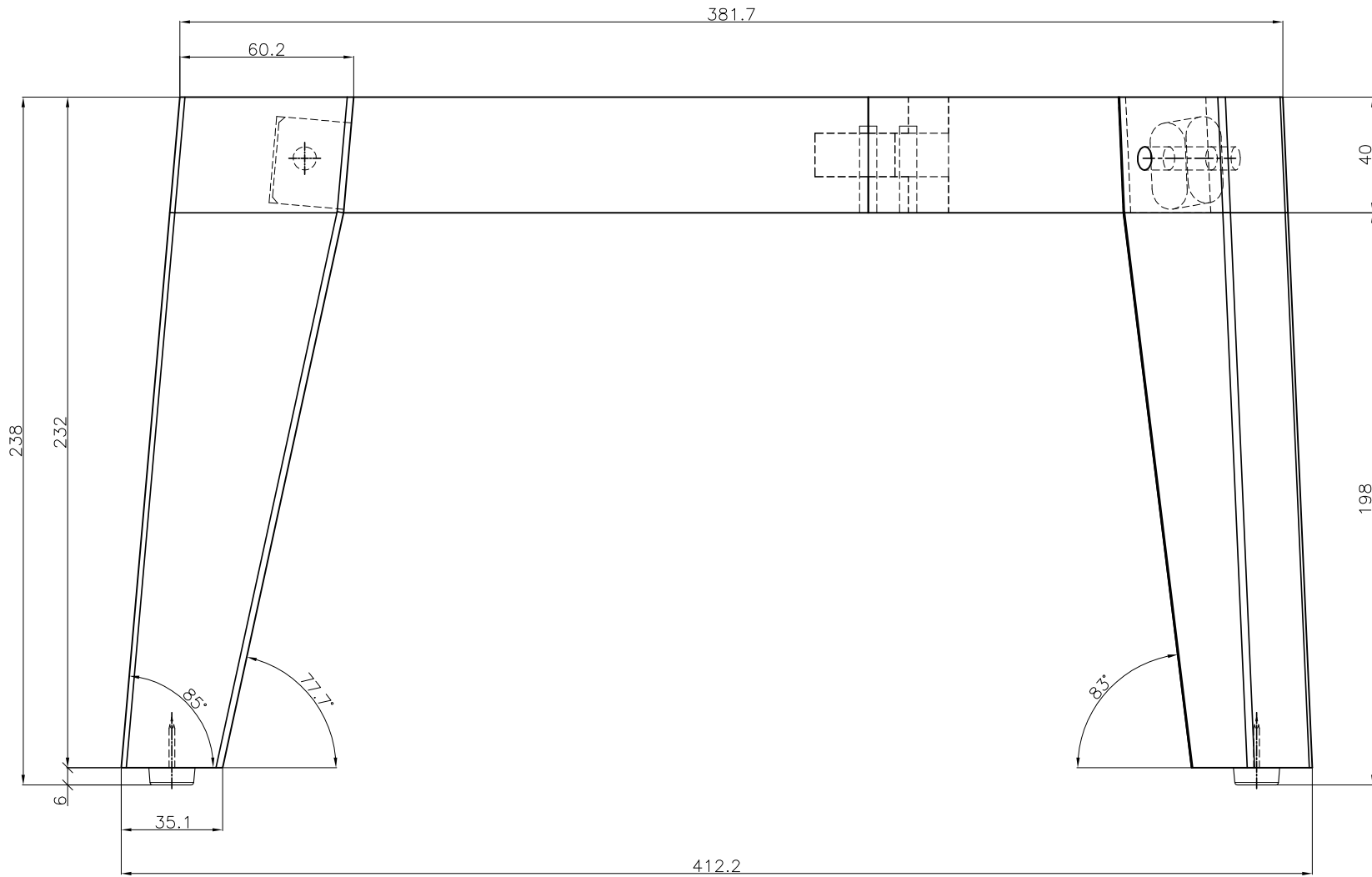
MATERIAL: TEAK

DRAWN BY : CHANAKAN

FINISH DATE : 19-12-15  
 BEGIN DATE : 11-06-15

GIG SCALE : 1:1  
 GIG

P. 5



SIDE VIEW

ES

**OASIQ**

DWG.NO: FAE0A8-50B

TITLE : SIDE VIEW

DIM EXT: 412.2x475.3x238 MM.

MATERIAL: TEAK

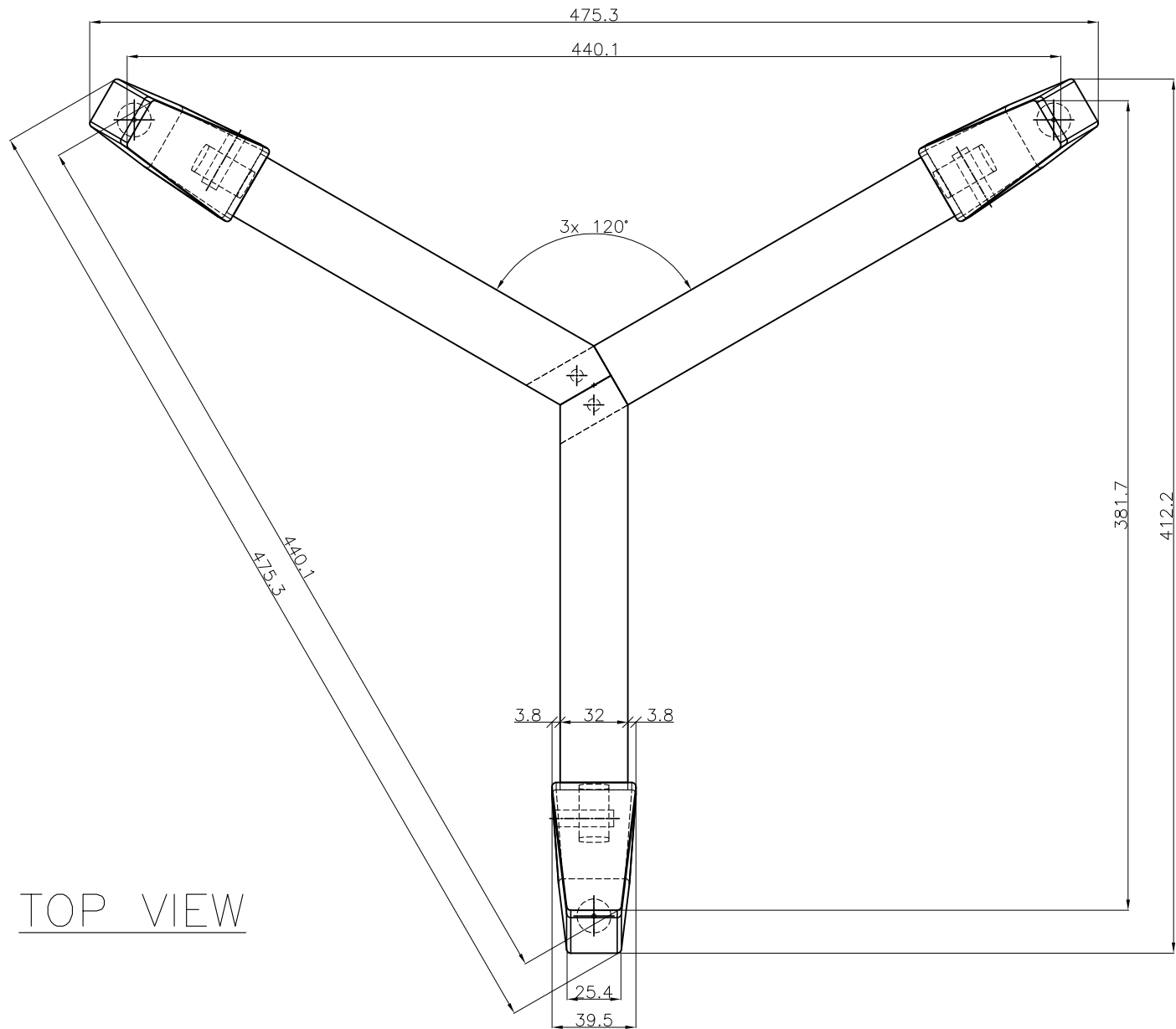
DRAWN BY : CHANAKAN

FINISH DATE : 19-12-15  
BEGIN DATE : 11-06-15

GIG  
GIG

SCALE : 1:1  
⊕ Ⓜ

P. 6



TOP VIEW

ET

OASIQ

DWG.NO: FAE0A8-50B

TITLE : TOP VIEW

DIM EXT: 412.2x475.3x238 MM.

MATERIAL: TEAK

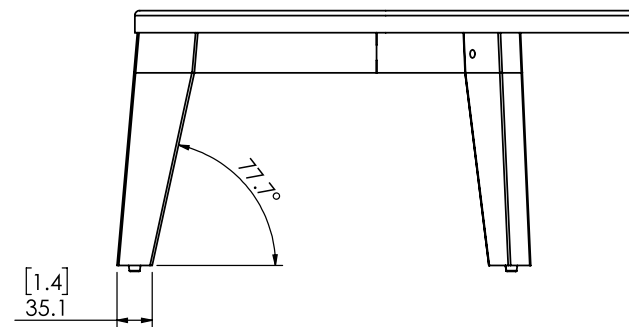
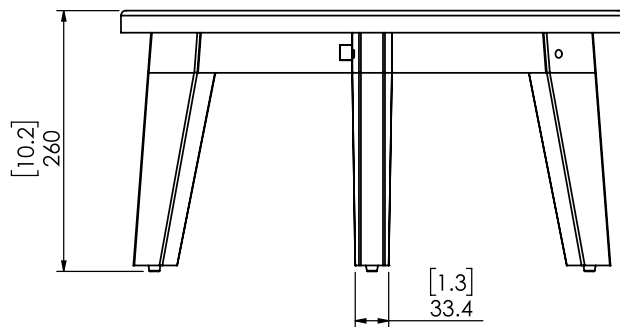
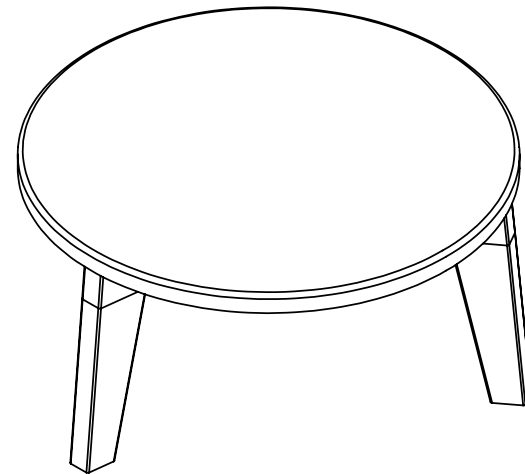
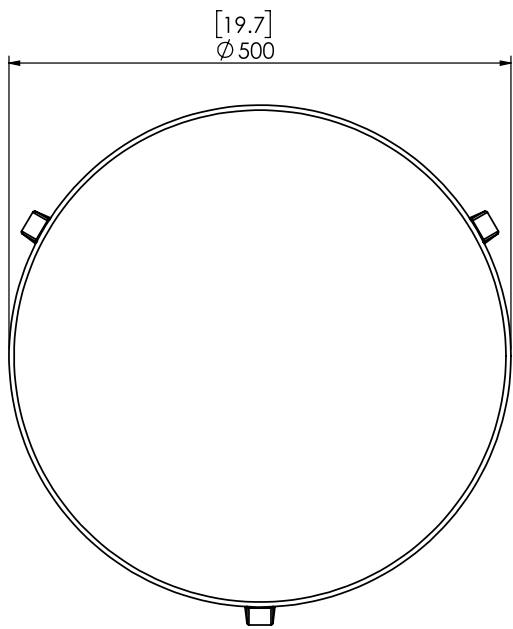
DRAWN BY : CHANAKAN

FINISH DATE : 19-12-15  
BEGIN DATE : 11-06-15

GIG  
GIG

SCALE : 1:1  
⊕ ⓐ

P. 4



**OASIQ**

DWG.NO:

TITLE:

DIM EXT:

MATERIAL:

DRAWN BY:

FINISH DATE:

P.