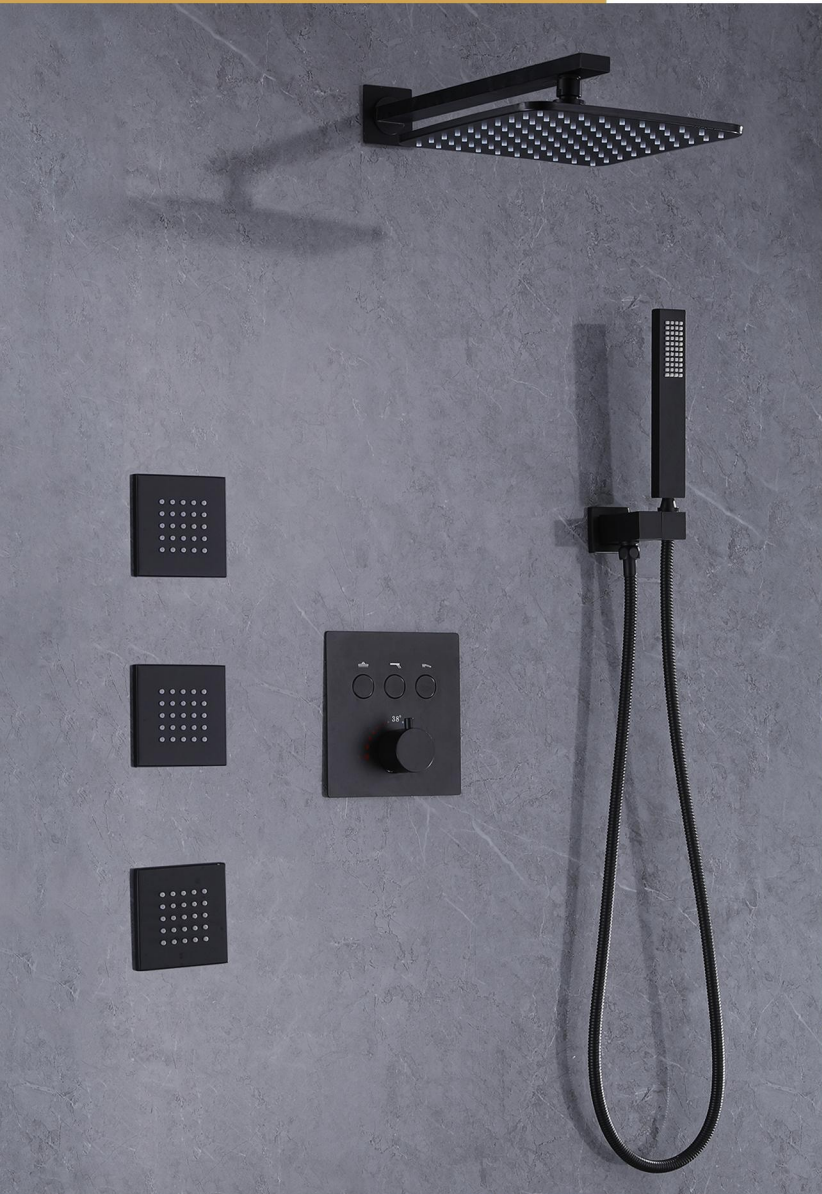


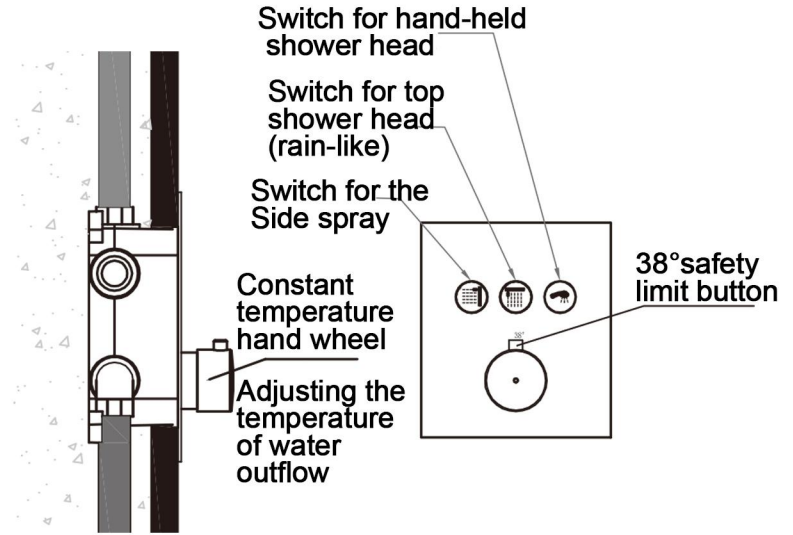
User's Manual



BEFORE INSTALLATION

Usage

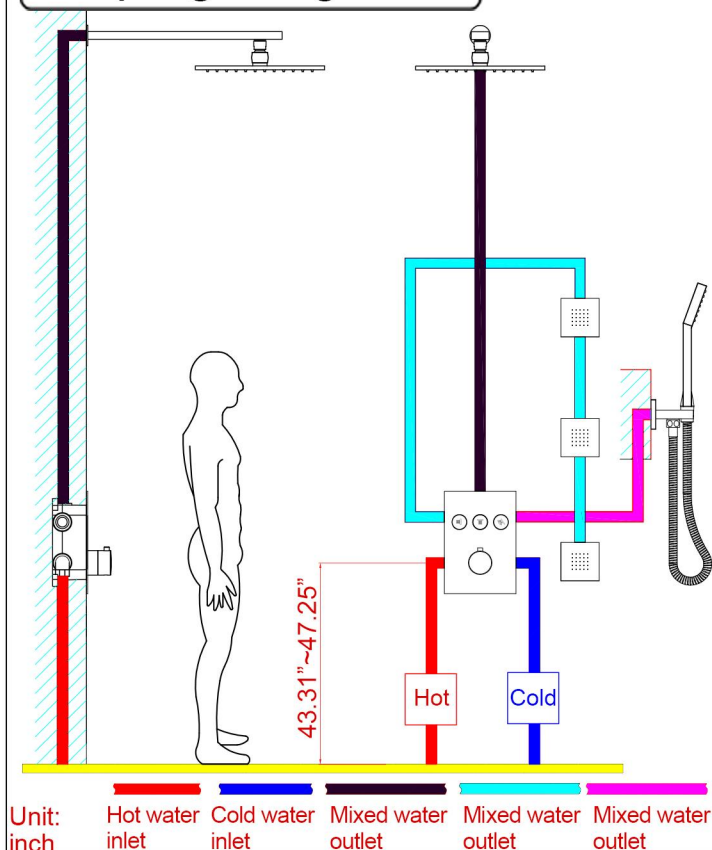
As shown in the right, the water outflow can be turned on or off independently by the switch button, and the water temperature can be adjusted by the constant temperature hand wheel on the right.



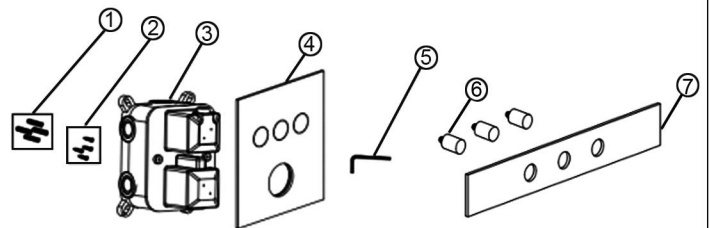
Notes

1. The valve core of the main body has been tested and adjusted by the manufacturer. Please do not disassemble and install it by yourself.
2. Hot water temperature 55-80°C/131-176°F (recommended 65°C/149°F), cold water temperature 5-29°C/41-84.2°F (recommended 15°C/59°F).
3. Cold water should be connected to the main body on the side marked with "C", and hot water on the side marked with "H". Reversed connection is strictly prohibited. The water pressure at the cold and hot water inlet should not vary too much (pressure difference between the two ends $\leq 20\%$).
4. The working water pressure of the valve core is 0.1-0.5 MPa (including the pressure of cold or hot water). Working water pressure of 0.3 MPa is recommended to use. A pressure reducing valve should be installed on the pipeline when the working water pressure exceeds 0.5 MPa.
5. The temperature displayed on the constant temperature handwheel is adjusted under the specific water temperature condition in the factory. The product may be different as the working water temperature changes. The difference of $\pm 2^{\circ}\text{C}/35.6^{\circ}\text{F}$ is normal. If there is large difference, it should be adjusted by professional personnel.

Piping Diagram



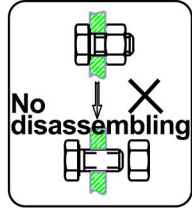
Installation of Main Body Parts list



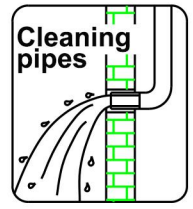
NO.	Name	Quantity
1	Expansible colloidal particle	4
2	Self-tapping screw	4
3	Pre-embedded main body	1
4	Decorative panel	1
5	2.5mm hexagon wrench	1
6	Extension rod	3
7	Locating plate	1

INSTALL THE SHOWER VALVE BODY

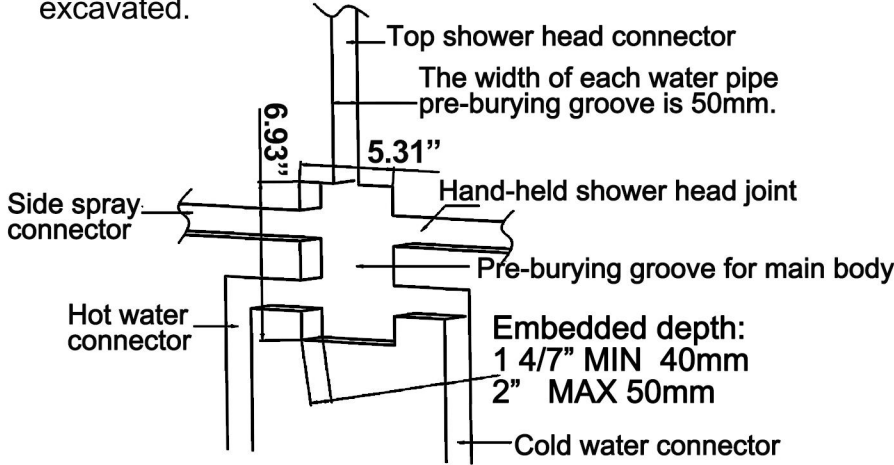
This product has been inspected and debugged by the factory to the best condition. Please do not disassemble and assemble it yourself.



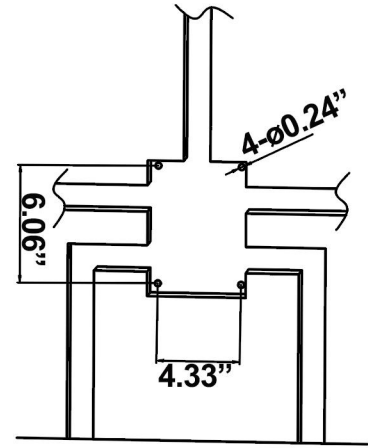
Before installing the product, please be sure to remove sundries and sludge from the water pipe to prevent sundries from blocking the product.



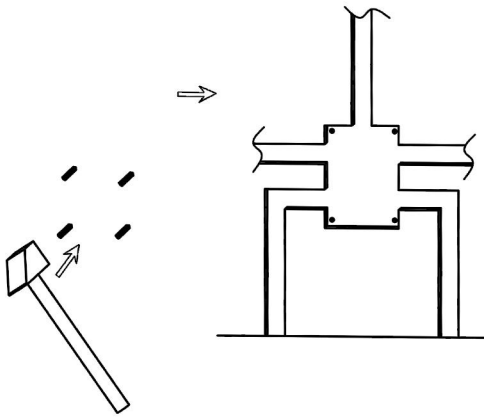
1. According to the basic size of the product (with reference to the figure above), the pre-embedded grooves of main body, inlets of hot and cold water and mixed water outlets and joints should be excavated.



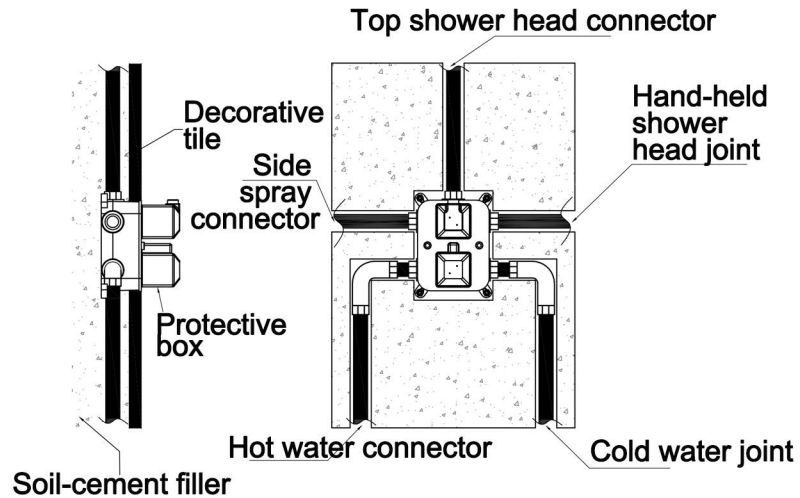
2. Drill four 6-mm holes with percussion drill according to the product size.



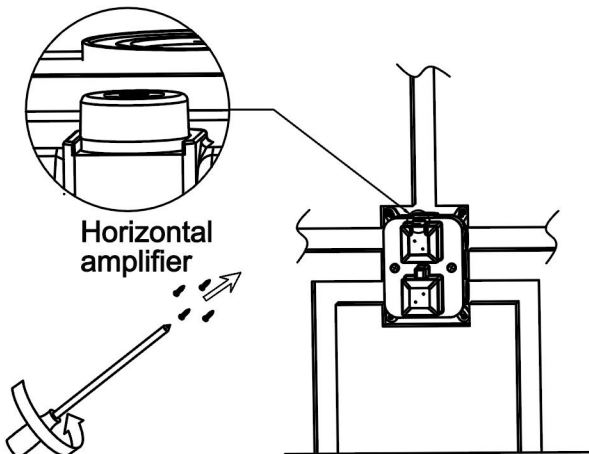
3. Drive 4 expansible colloidal particles into the drilled holes with hammer.



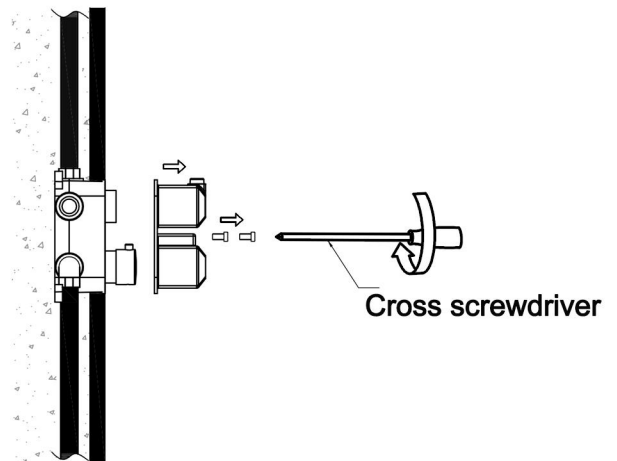
4. Each pipe should be linked and connected to water to confirm there is no leakage.



5. Adjust the pre-embedded main body to the horizontal line and fix the main body on the wall with four self-tapping screw and a cross screwdriver. Seal the pipeline with cement filler.



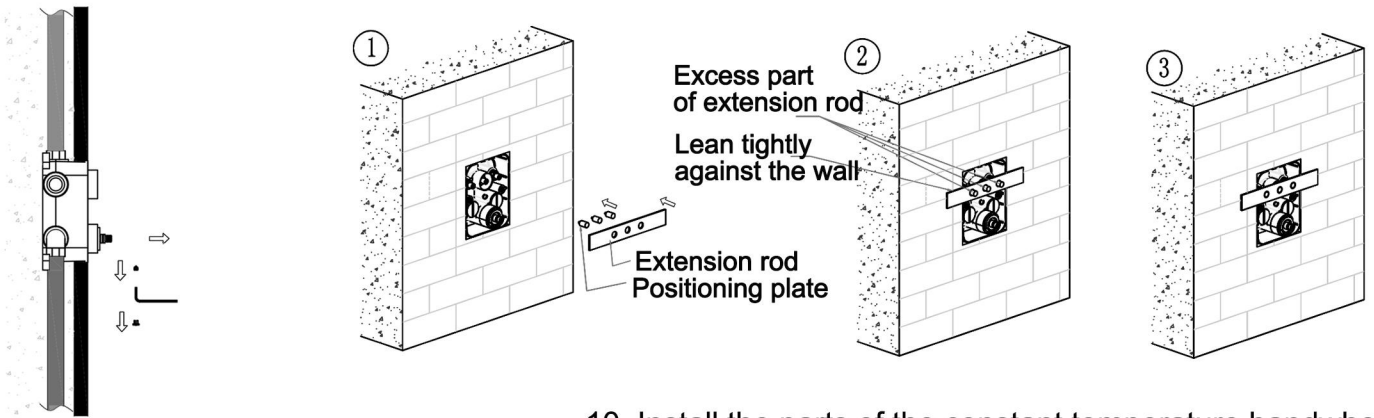
6. Loosen the two M5 screws on the sheath counterclockwise with a cross screwdriver and remove the sheath.



INSTALL THE SHOWER VALVE BODY

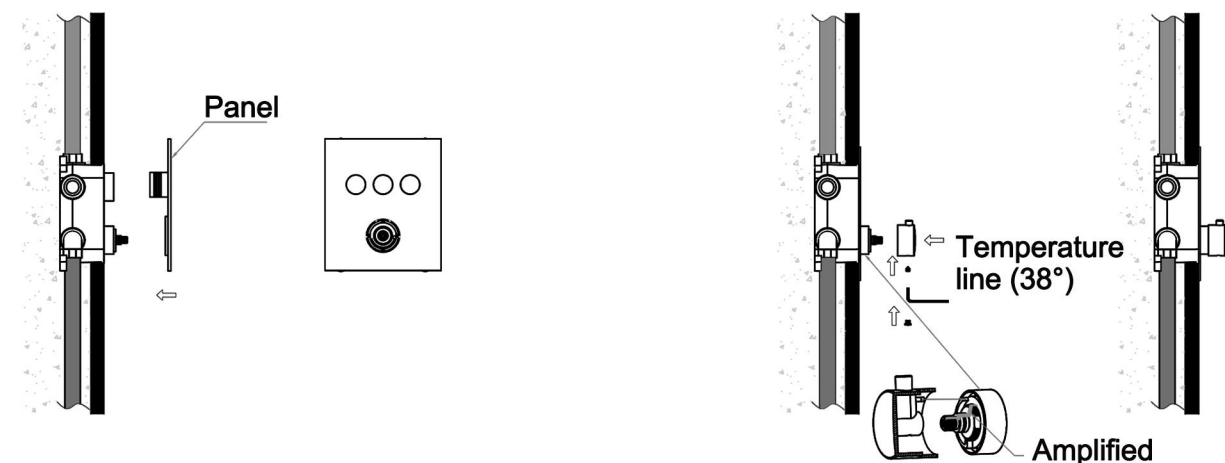
7. First, take out the color button of the constant temperature handwheel; then loosen the main body of the handwheel counterclockwise with the 2.5-mm hexagon wrench, and unload it. Do not rotate the constant temperature handwheel when taking it out. Ensure that the button of the constant temperature handwheel is aligned with the 38-degree line on the panel.

8. Tighten the three extension rods on the valve core with button; then put the positioning plate on the surface of wall; cut off the redundant part by cutting machine or the blade along the outer plane of the extension rod of positioning plate; finally, remove the positioning plate again (as shown in the figure).



9. Install the panel on the main body in a balanced manner.

10. Install the parts of the constant temperature handwheel on the main body in the opposite direction of unloading. (please ensure that the valve core does not rotate when installing the constant temperature hand wheel and the direction of the button is aligned with the direction of the outlet pipe.)

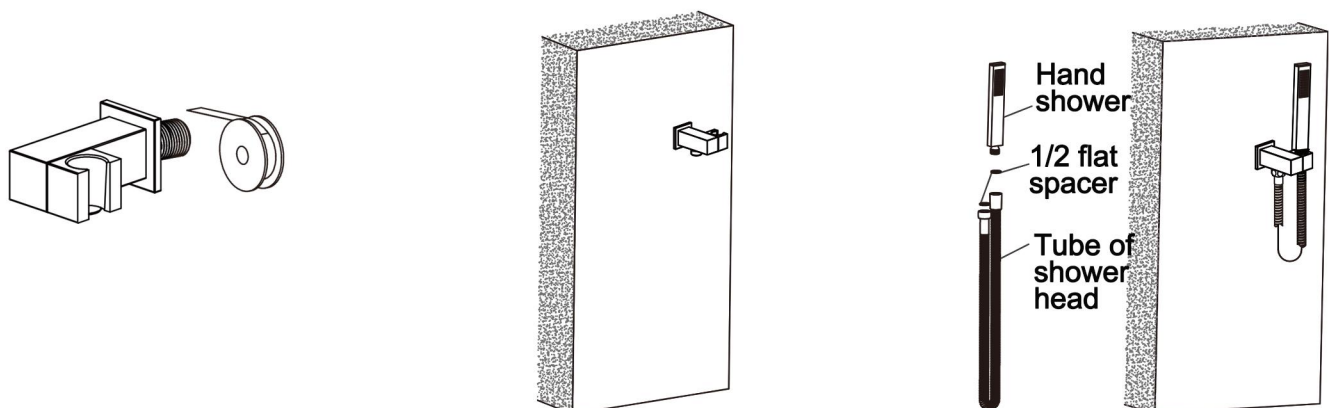


INSTALLATION OF THE HAND SHOWER

1. Wrap the PTFE tape on the 1/2 thread of the stand for shower head.

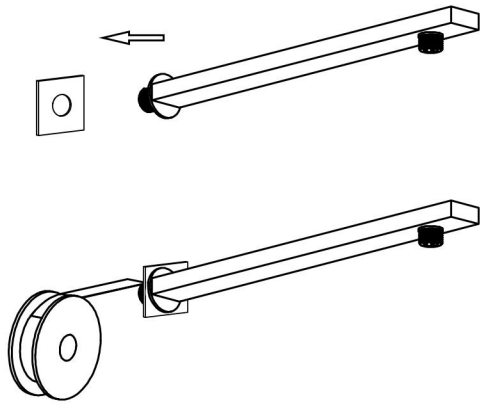
2. Screw the stand for shower head clockwise on the outlet hole of the water outlet.

3. Connect the water outlet of the stand for shower head with the tube of shower head, and put the hand-held shower head in the stand.

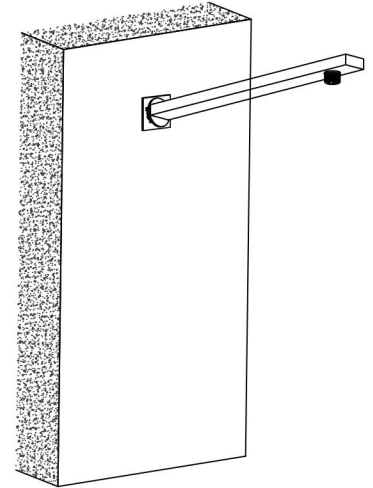


INSTALLATION OF RAIN SHOWER HEAD

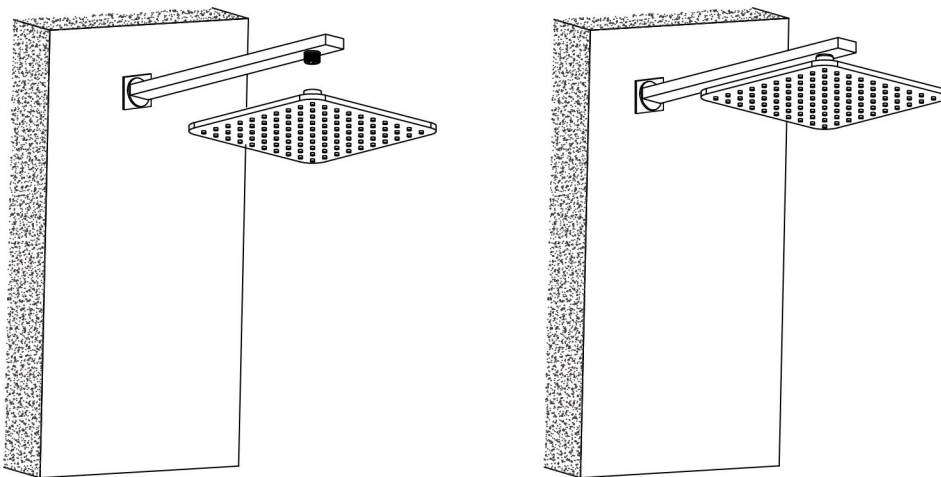
1. Wrap the PTFE tape on the 1/2 thread of the rain shower head outlet pipe.



2. Tighten the rain shower head outlet pipe clockwise to the rain shower head outlet hole.

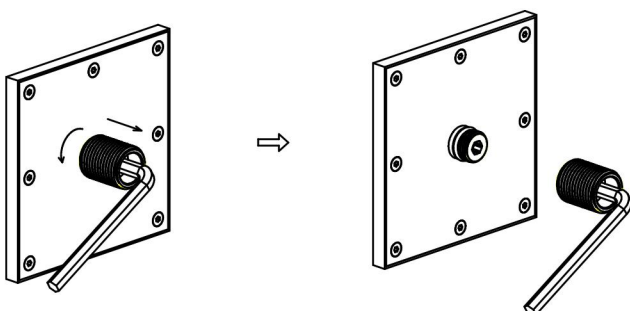


3. Tighten the rain shower head clockwise on the 1/2 thread of the rain shower head outlet pipe.

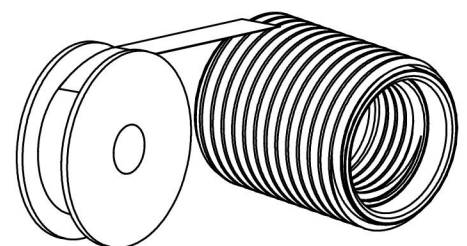


INSTALLATION OF SIDE SPRAY

1. Use a hexagonal wrench to turn counterclockwise to remove the 1/2 threaded joint.

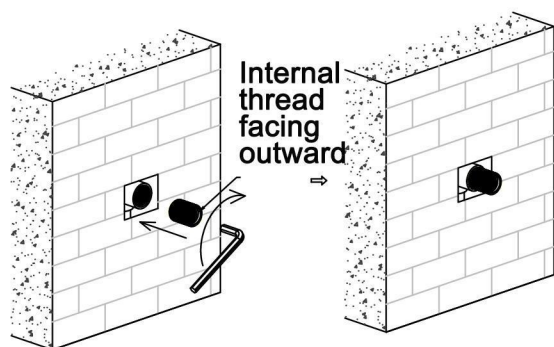


2. Wrap the PTFE tape on the 1/2 threaded joint.

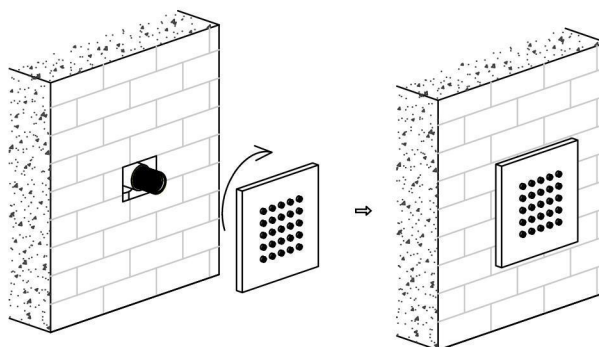


INSTALLATION OF SIDE SPRAY

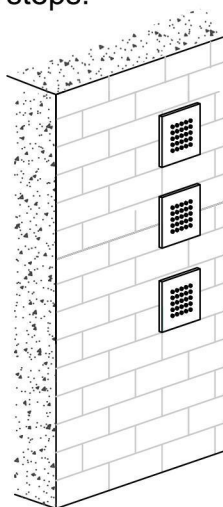
3. Use a hexagonal wrench to rotate clockwise to install the 1/2 threaded joint on the wall side spray joint. (Note: The 1/2 threaded joint has an internal threaded end facing outward).



4. Rotate the side nozzle clockwise and tighten it on the 1/2 threaded joint.



5. Install the remaining side sprinklers according to the previous steps.



CLEANING CARE

1. To keep the surface of the product clean and bright, please wash it frequently:

- A. Rinse with water and dry with soft cotton cloth;
- B. Do not use abrasive detergent, emery cloth and sandpaper;
- C. Do not use any acid cleaner, polish, soap, coarse detergent, abrasive polish.

2. When the water outflow is reduced or the temperature is difficult to adjust, please follow the following steps to remove the impurities on the filter screen: (as shown above)

- A. Disassemble the inlet parts on both sides of the main body with tools;
- B. Brush the impurities attached to the filter screen on the backwater-proof inlet;
- C. Reinstall the parts sequentially, and then open the supply of cold and hot water on the body part.

