

ASSEMBLY INSTRUCTION

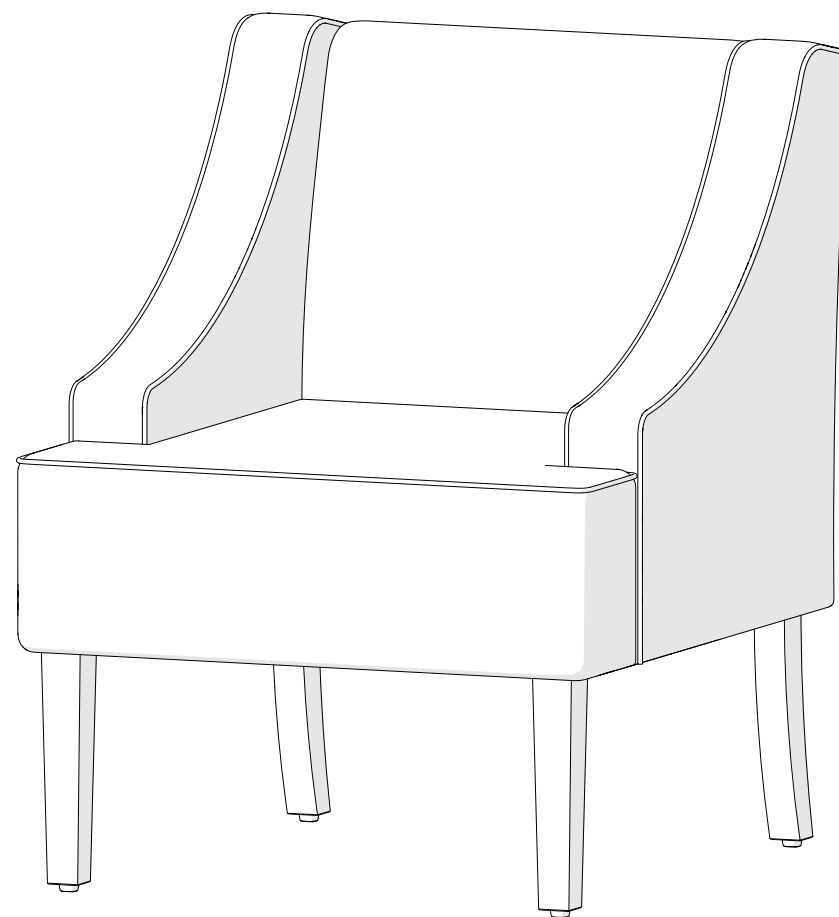


table of contents

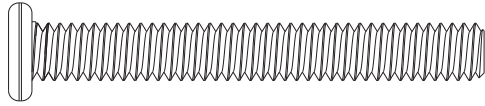
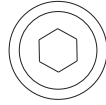


| | |
|--------------|-------|
| introduction | 2 |
| hardware | 4 |
| parts list | 5 |
| assembly | 6 - 8 |

hardware

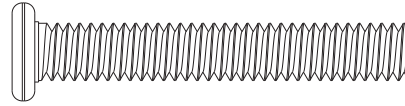
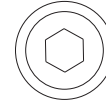
(A) x 4

5/16" x 60mm
round hex screw



(B) x 4

5/16" x 50mm
round hex screw



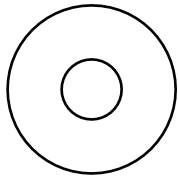
(C) x 8

Φ 8mm lock washer



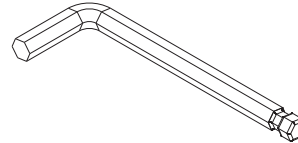
(D) x 8

Φ 22mm flat washer



(E) x 1

5mm Ball end
Hex wrench

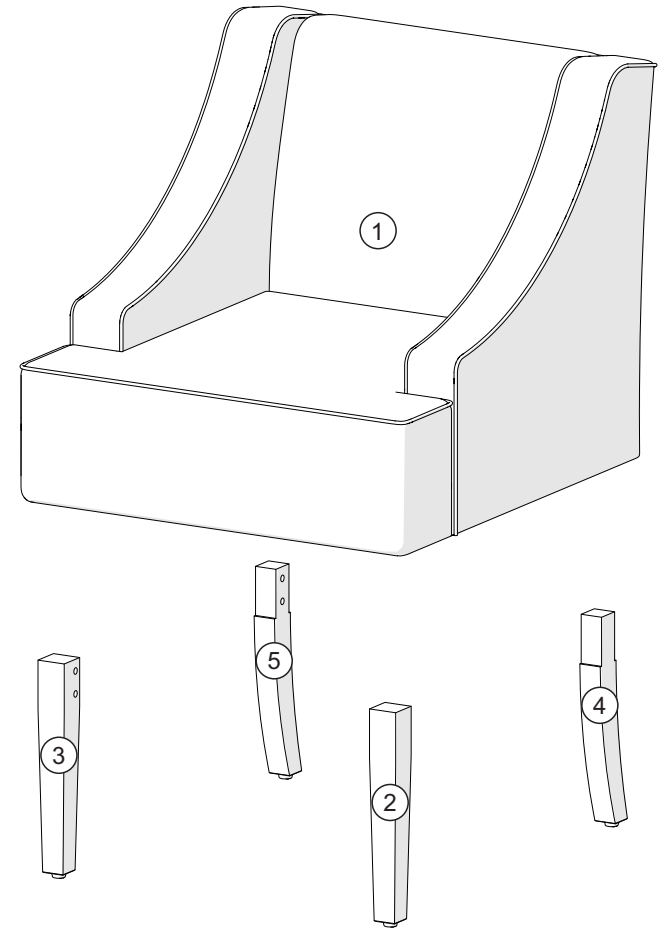
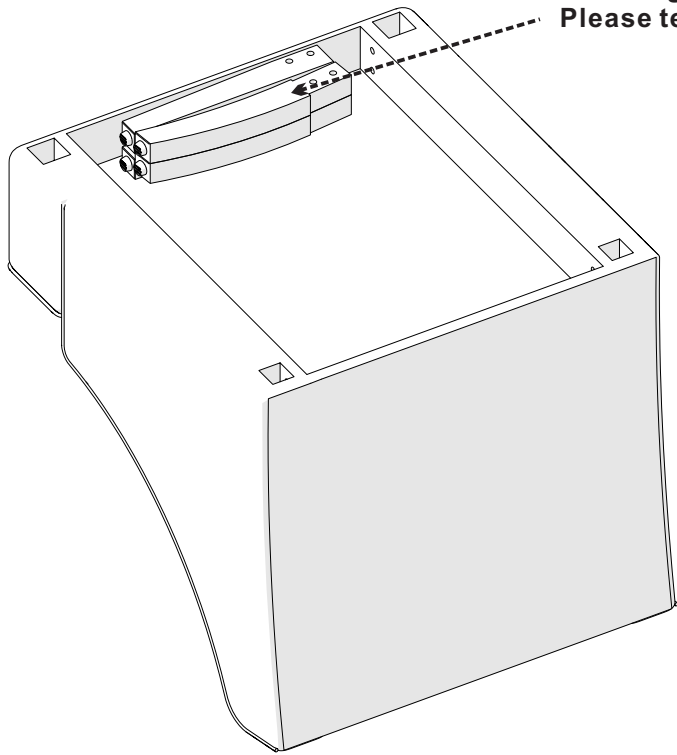


ITEM DESCRIPTION QUANTITY

.....

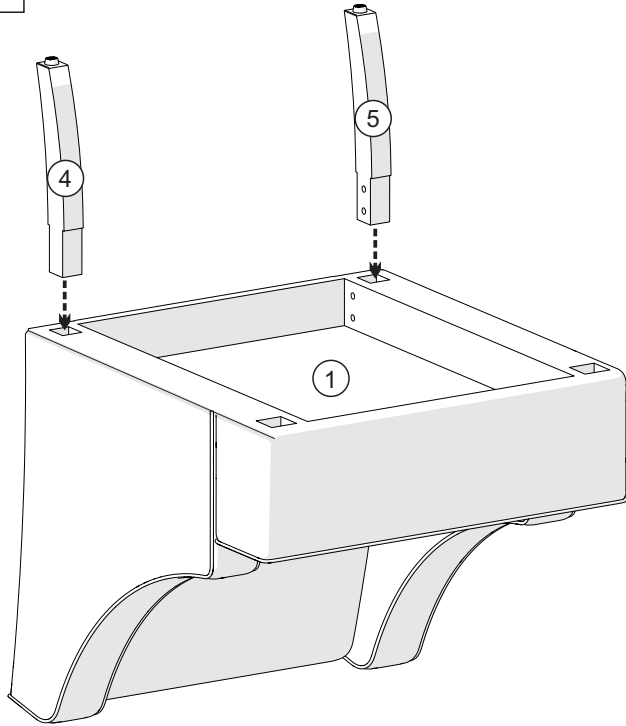
| | | |
|---|-----------------|---|
| ① | chair cushion | 1 |
| ② | right front leg | 1 |
| ③ | left front leg | 1 |
| ④ | right back leg | 1 |
| ⑤ | left back leg | 1 |

Chair legs and hardware are under the seat.
Please tear open the Velcro to retrieve the parts.

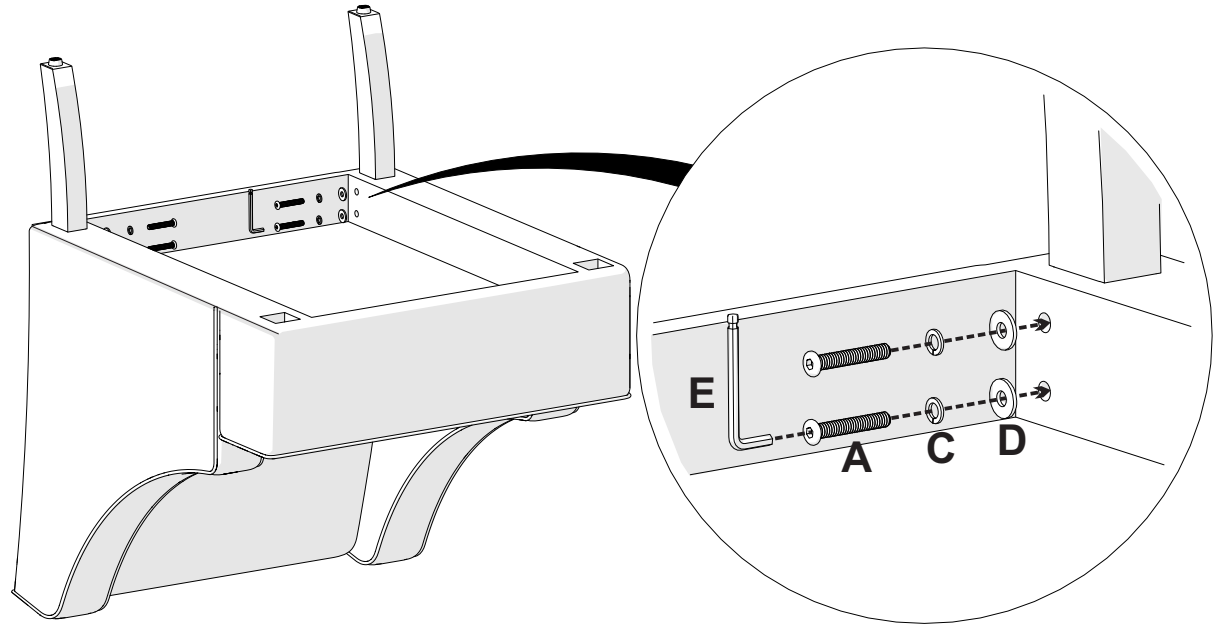


step 1.

1

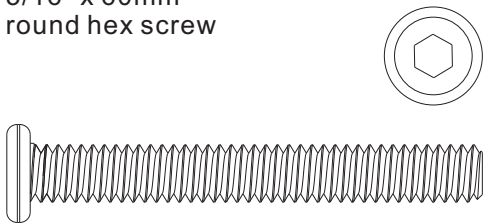


2



(A) x 4

5/16" x 60mm
round hex screw



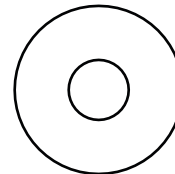
(C) x 4

Φ 8mm lock washer



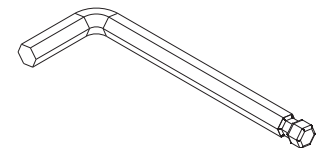
(D) x 4

Φ 22mm flat washer



(E) x 1

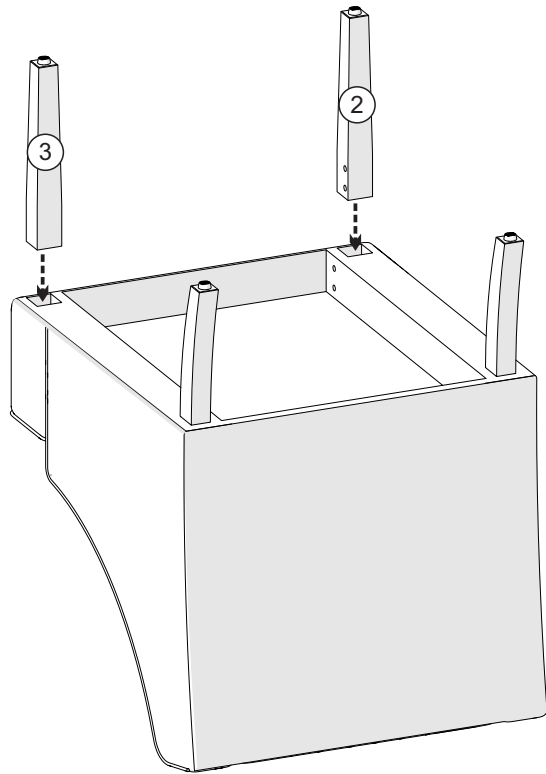
5mm Ball end
Hex wrench



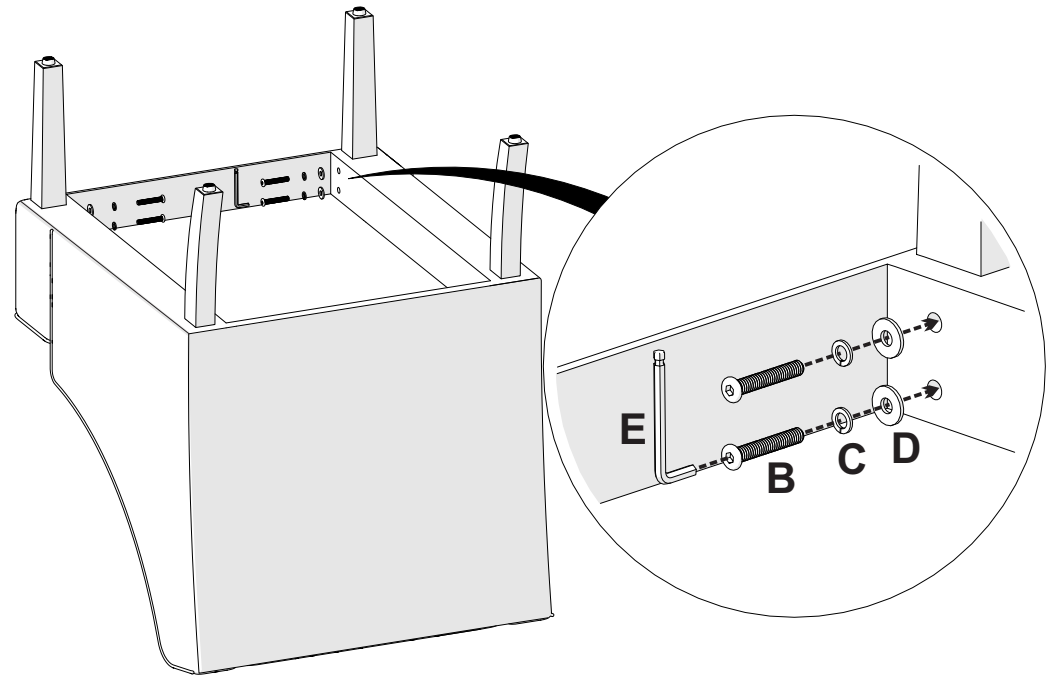
Please do not assemble with power tools

step 2.

1

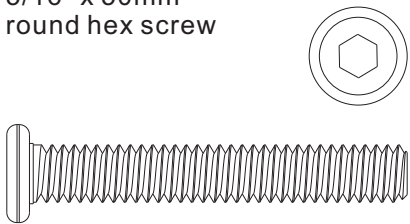


2



(B) x 4

5/16" x 50mm
round hex screw



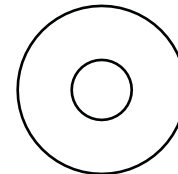
(C) x 4

Φ 8mm lock washer



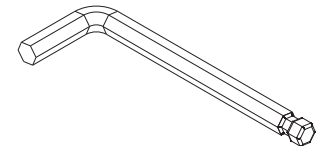
(D) x 4

Φ 22mm flat washer



(E) x 1

5mm Ball end
Hex wrench

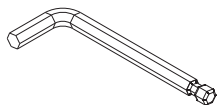


Please do not assemble with power tools

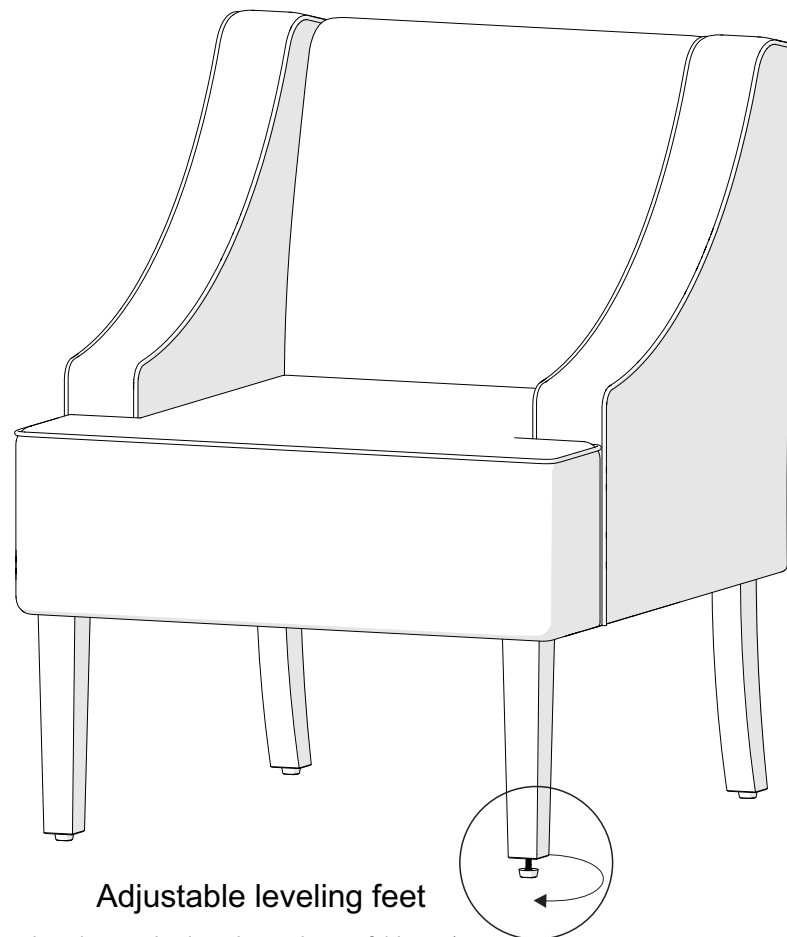
step 3.

A friendly reminder from us:

Please keep the Allen wrench.



After a period of time, there may be a chance the KD furniture may become loose, please use an Allen wrench to tighten the loose bolts.



Adjustable leveling feet

(This part is already attached on the end cap of 4 legs.)

Level the furniture, use leveling feet if needed.