

Installation Instructions for:

STANDARD SLIDE BAR

1660.225 SERIES

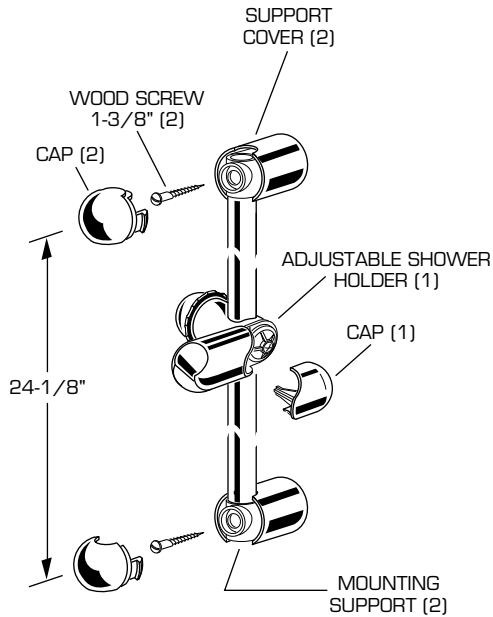
DELUXE SLIDE BAR

1660.232 SERIES

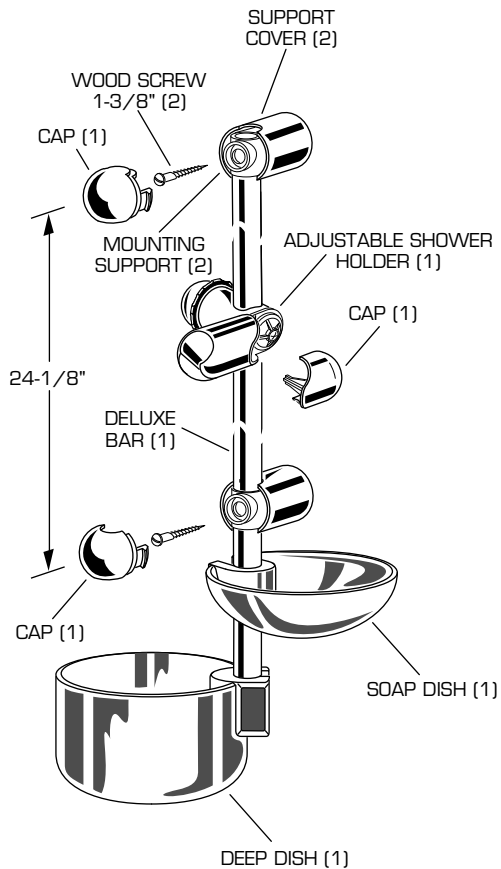
CORNER MOUNTING KIT

30787 SERIES

STANDARD SLIDE BAR



DELUXE SLIDE BAR



SLIDE BAR INSTALLATION

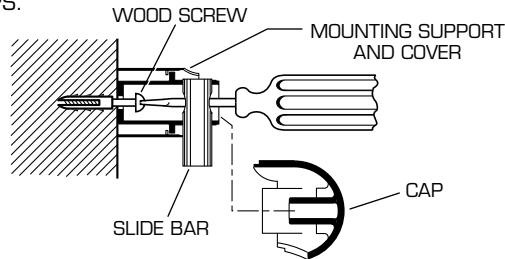
The SLIDE BAR must be secured to the wall studs using the supplied WOOD SCREWS. If a mounting into the studs is not possible, provide cross-braces, or use appropriate wall fasteners to provide secure installation.

1 PREPARATION

- Locate studs and mark plumbline.
- Determine desired height and spot drill MOUNTING SUPPORT locations using 5/32" diameter drill, 3/8" max. deep.
- For tiled walls: provide a 5/32" diameter clearance hole for the MOUNTING SCREW.
- For uneven walls: SPACERS are available by ordering part number O30796-YYOAO from the Repair Parts book.

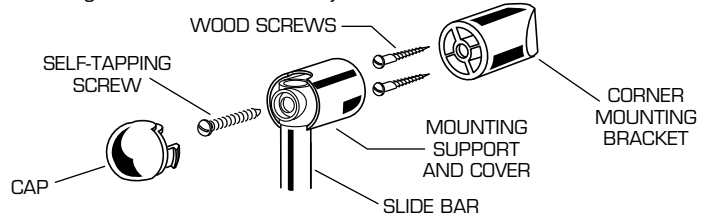
2 INSTALLATION

- To install SLIDE BAR, remove CAP from MOUNTING SUPPORT, and secure MOUNTING SUPPORT to studs using supplied WOOD SCREW.
- Check vertical installation of SLIDE BAR, tighten screws securely, and replace CAPS.



3 CORNER INSTALLATION (Use CORNER MOUNTING KIT 30787 Series)

Install both CORNER MOUNTING BRACKETS at correct height and distance using WOOD SCREWS supplied with kit (2 per bracket). Attach MOUNTING SUPPORT of SLIDE BAR to CORNER BRACKET using supplied SELF-TAPPING SCREW. Tighten all screws securely.

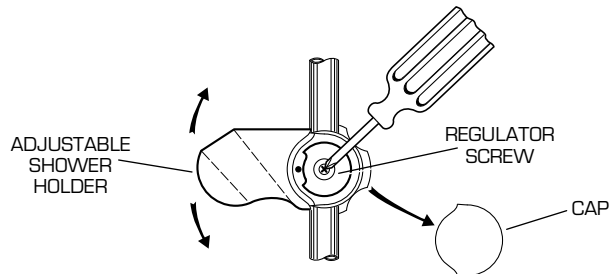


4 DELUXE SLIDE BAR

Hang both SOAP DISHES onto SLIDE BAR to complete installation.

5 SERVICE





To correct tilting tension of ADJUSTABLE SHOWER HOLDER remove CAP carefully and tighten or loosen REGULATOR SCREW.



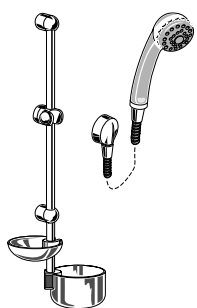
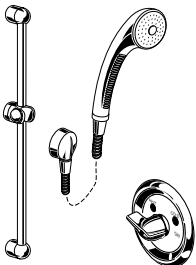
SHOWER SYSTEMS



Faucet Pricing Guide 98-3

Wall Brackets	Description	Color/Finish	List Price	Master Carton Qty.
	8888.036 FIXED WALL BRACKET <ul style="list-style-type: none"> • For use with personal showers 	.002 Polished Chrome	16.00	6
		.020 White	20.00	
		.099 Polished Brass	22.00	
Slide Bars	Description	Color/Finish	List Price	Master Carton Qty.
	1660.232 32" DELUXE SLIDE BAR <ul style="list-style-type: none"> • Adjustable bracket for personal showers • One soap dish • One shampoo basket 	.002 Polished Chrome	110.00	6
		.020 White	138.00	
		.099 Polished Brass	154.00	
	1660.225 25" STANDARD SLIDE BAR <ul style="list-style-type: none"> • Adjustable bracket for personal showers • LESS soap dish • LESS shampoo basket 	.002 Polished Chrome	75.00	6
		.020 White	94.00	
		.099 Polished Brass	105.00	
	030787-YYY0A CORNER MOUNTING BRACKET <ul style="list-style-type: none"> • Mounting bracket for corner installations of slide bars 	.002 Polished Chrome	39.55	6
		.020 White	34.09	
		.099 Polished Brass	55.37	

Handshowers with 2.5 gpm/9.5L/min. maximum flow.

Shower System Kits	Description	Color/Finish	List Price	Master Carton Qty.
	1662.600 Complete Kit Includes: <ul style="list-style-type: none"> • Soft Handshower 1660.500 • Hose 8888.035 • Wall Supply 8888.037 • Deluxe Slide Bar 1660.232 	.002 Polished Chrome	205.00	6
		.020 White	256.00	
		.099 Polished Brass	287.00	
	1662.601 Complete Kit Includes: <ul style="list-style-type: none"> • Fixed Handshower 1660.505 • Hose 8888.035 • Wall Supply 8888.037 • Standard Slide Bar 1660.225 • Ultramix+ Valve 1311SS.120 • In-Line Vacuum Breaker 1660.400 <p>This system is also pictured on page 43.</p>	.002 Polished Chrome	267.00	6