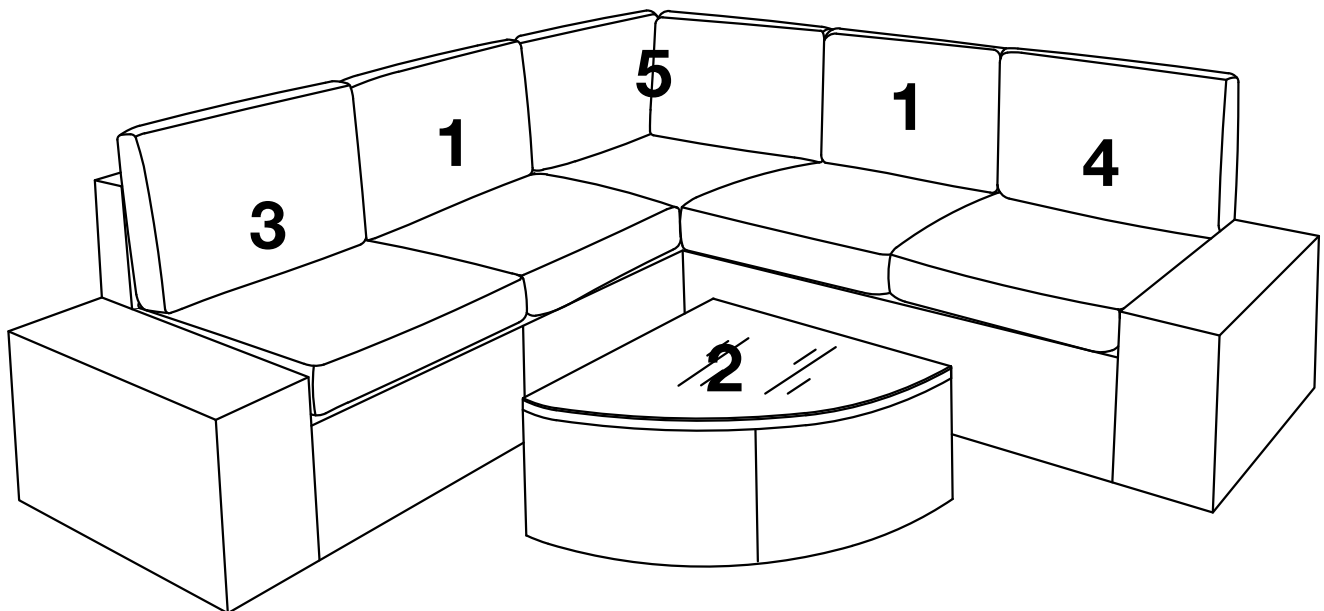


Assembly Instructions

6 Pieces Outdoor Wicker Sectional Conversation Set



1	Armless Chair
2	Coffee Table
3	Right Armchair
4	Left Armchair
5	Corner Chair

Pre-assembly

Safety information

- Two or more people are required for this assembly.
- Some parts may contain sharp edges. Wear protective gloves.
- When assembling and using this product, basic safety precautions should always be followed to reduce the risk of personal injury and damage to equipment. Please read all instructions before assembly and usage.



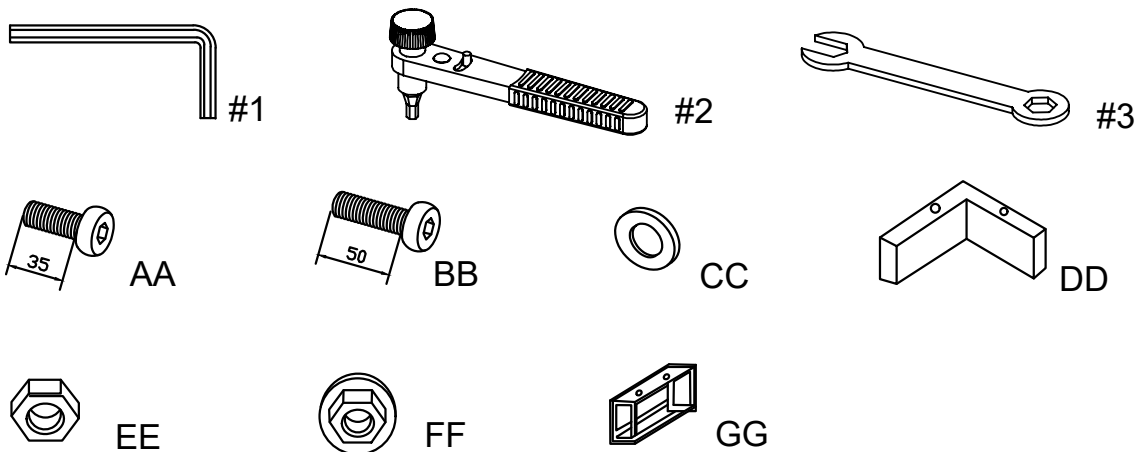
WARNING: Keep all children and pets away from assembly area. Children and pets should be supervised when they are in the area of the sofa set construction. Keep assembly area at least 6 feet from any obstruction such as fence, garage, house, overhanging branches, laundry line or electrical wires. Check all bolts for tightness before use. **IMPORTANT-** check and tighten bolts often to keep them secure!



CAUTION: Sofa is for seating purpose only. Standing on or misuse of the sofa may result in damage or injury. Not intended for commercial use. Weight limited for each seat: 250 lbs (113.5kg)

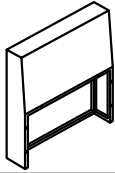
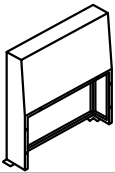
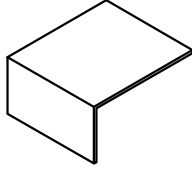
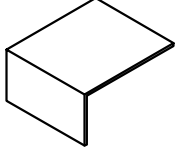
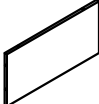
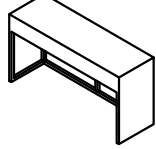
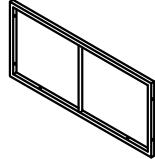
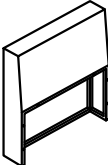
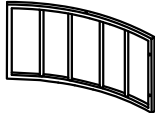
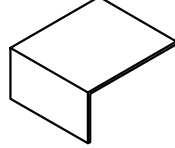
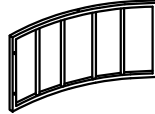

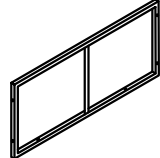
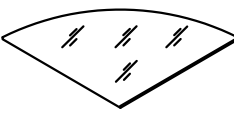
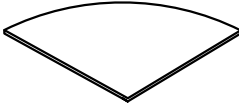
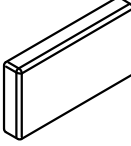
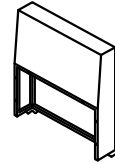
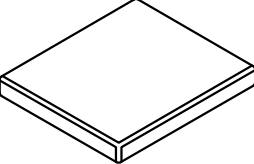
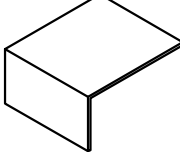
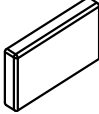
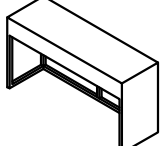
NOTICE: For outdoor use only

HARDWARES INCLUDED

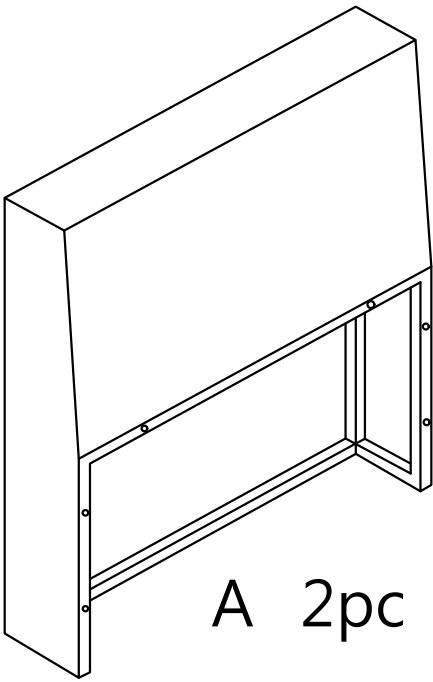


Part	Description	Quantity	Part	Description	Quantity
#1	Allen Wrench	2	CC	Washer	114
#2	Semi-auto Wrench	1	DD	L-shape Feet	1
#3	Hex Wrench	2	EE	Nut	42
AA	M6 x 35 Bolt	26	FF	Lock Nut	4
BB	M6 x 50 Bolt	42	GG	Feet	1

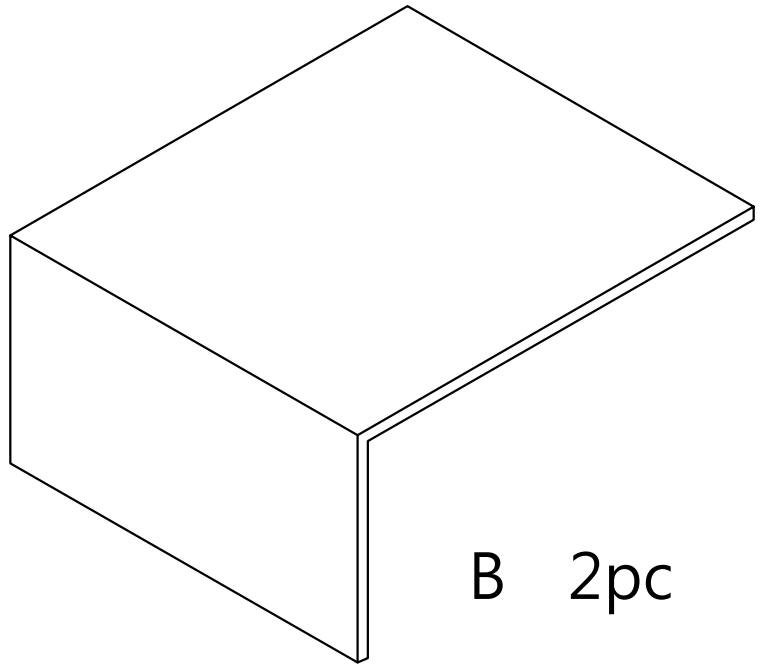
PACKAGE CONTENTS

Part	Description	Qty	Part	Description	Qty
A	 Armless Chair Backrest	2	L	 Left Armchair Armrest	1
B	 Armless Chair Seat	2	M	 Left Armchair Seat	1
C	 Chair Side Panel	7	N	 Left Armchair Armrest	1
D	 Coffee Table Side Panel D	1	O	 Corner Chair Right Armrest	1
E	 Coffee Table Curve Panel E	1	P	 Corner Chair Seat	1
F	 Coffee Table Curve Panel F	1	Q	 Corner Chair Left Armrest	1
G	 Coffee Table Side Panel G	1	R	 Coffee Table Glass Top	1
H	 Coffee Table Table Top	1	S	 Back Cushion	5
I	 Right Armchair Backrest	1	T	 Seat Cushion	5
J	 Right Armchair Seat	1	U	 Corner Cushion	1
K	 Right Armchair Armrest	1			

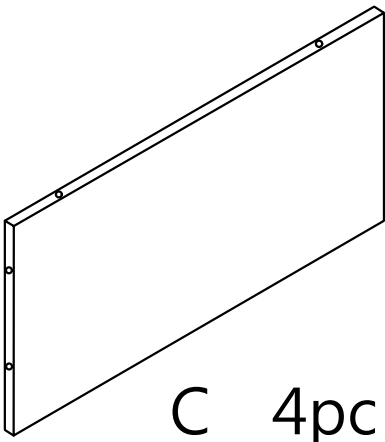
Parts List of Armless Chair



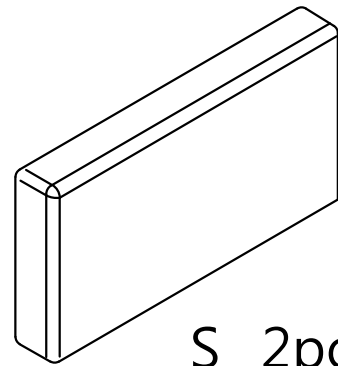
A 2pc



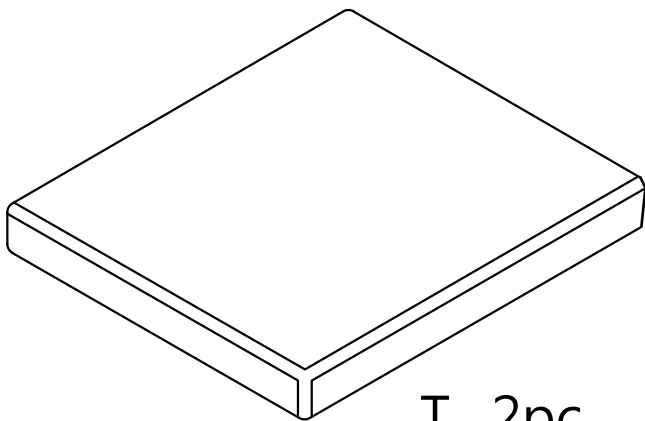
B 2pc



C 4pc

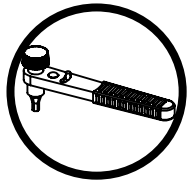


S 2pc



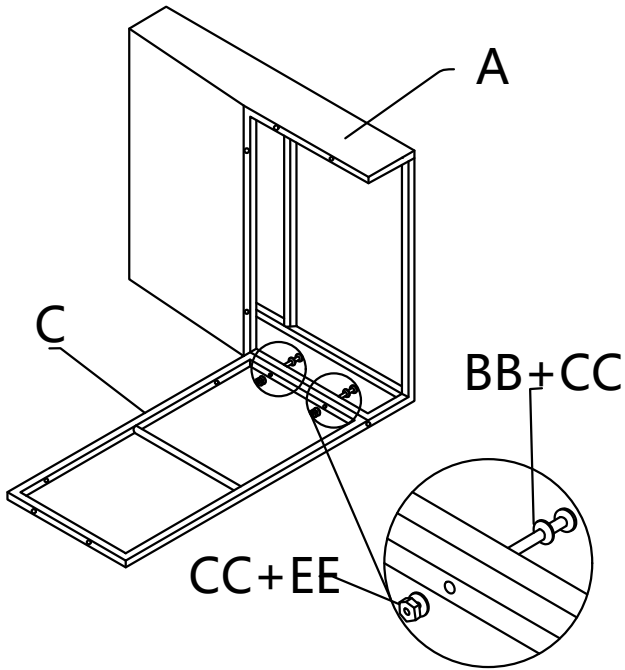
T 2pc 4

Assembly Steps For Armless Chair

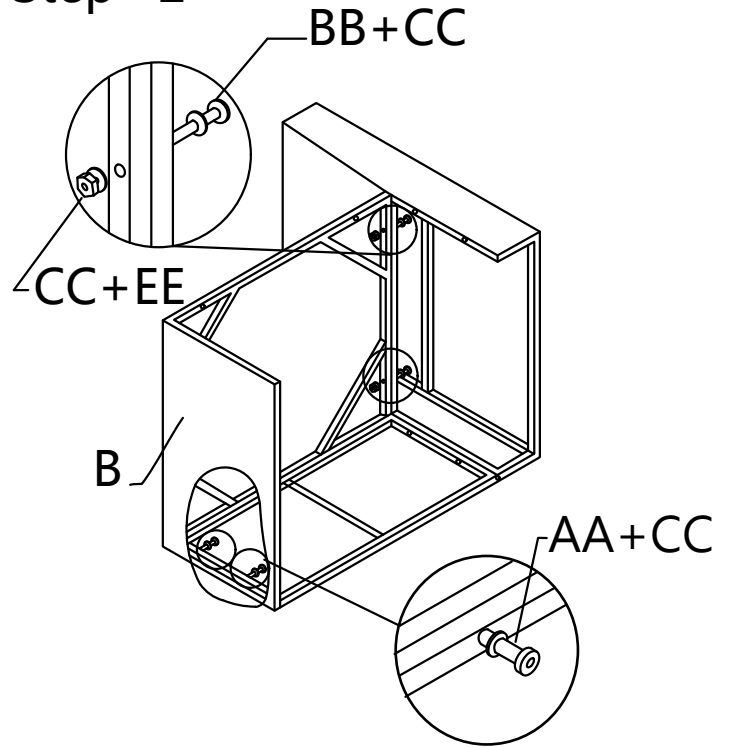


Use #2 Semi-auto Wrench to speed up your assembly.

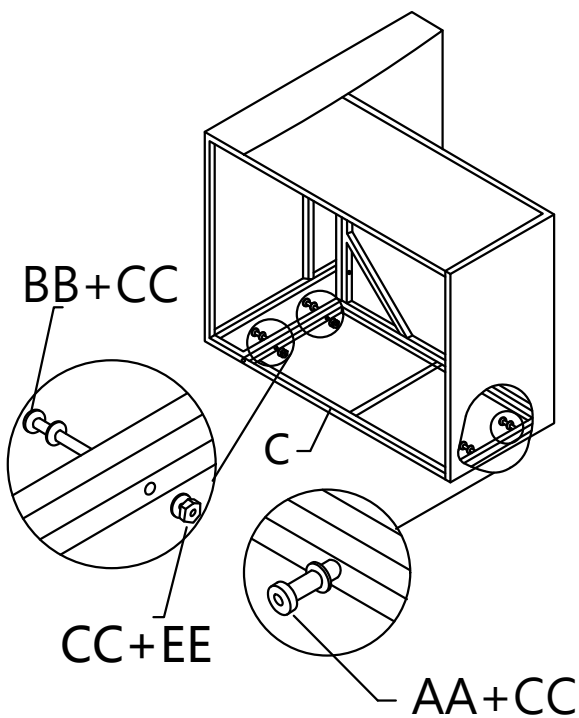
Step 1



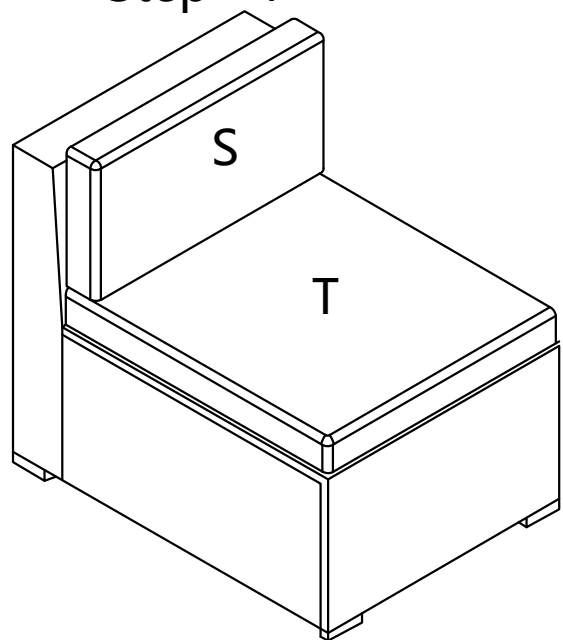
Step 2



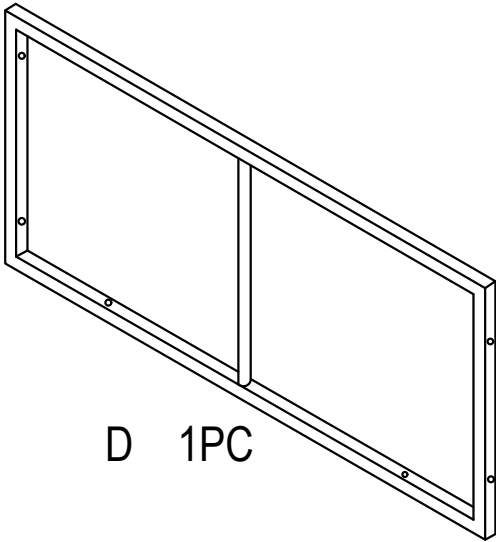
Step 3



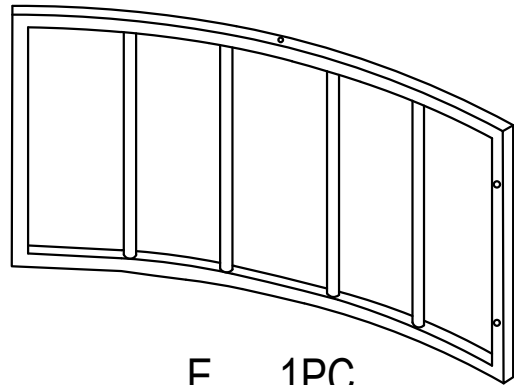
Step 4



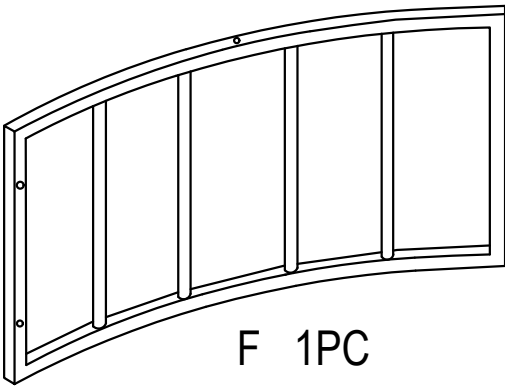
Parts List of Coffee table



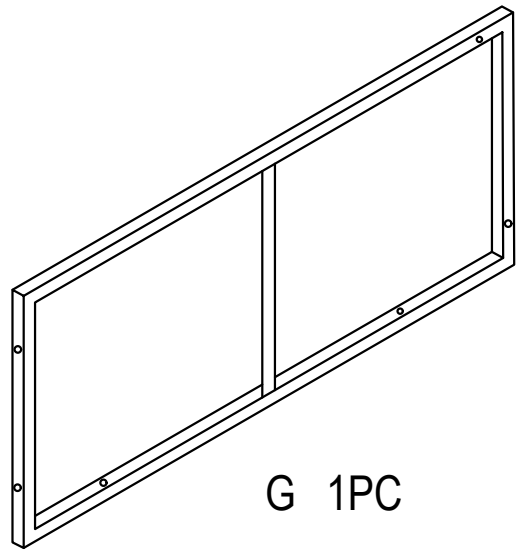
D 1PC



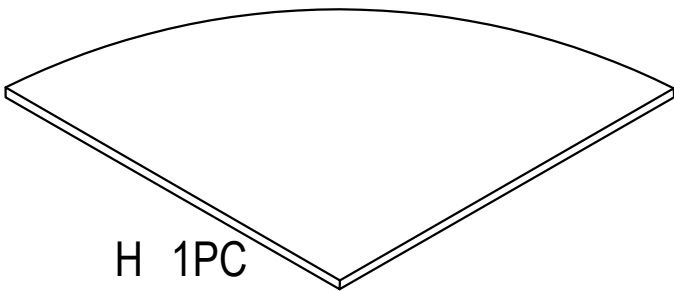
E 1PC



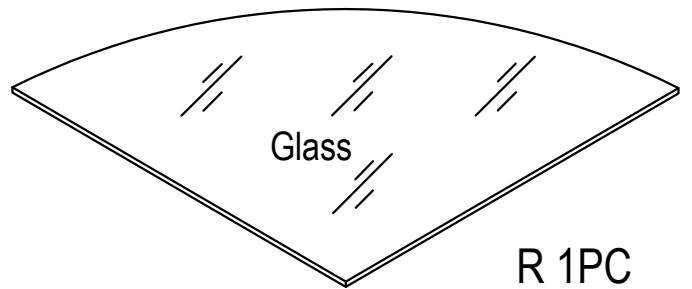
F 1PC



G 1PC



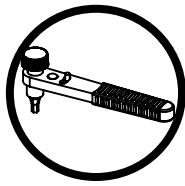
H 1PC



R 1PC

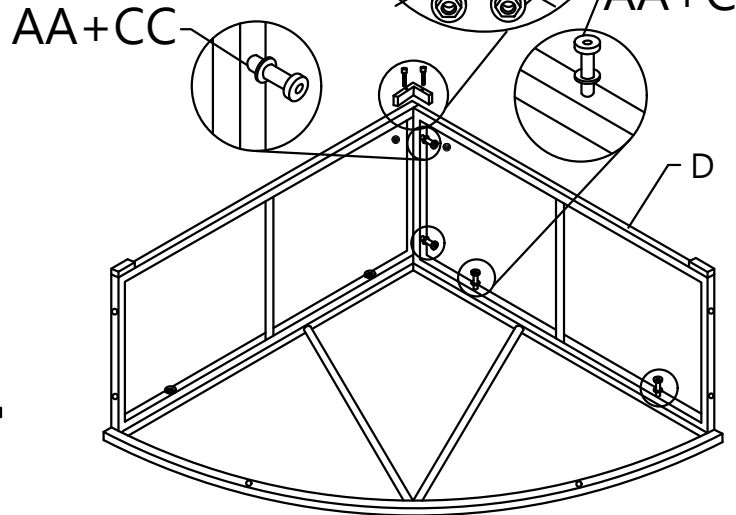
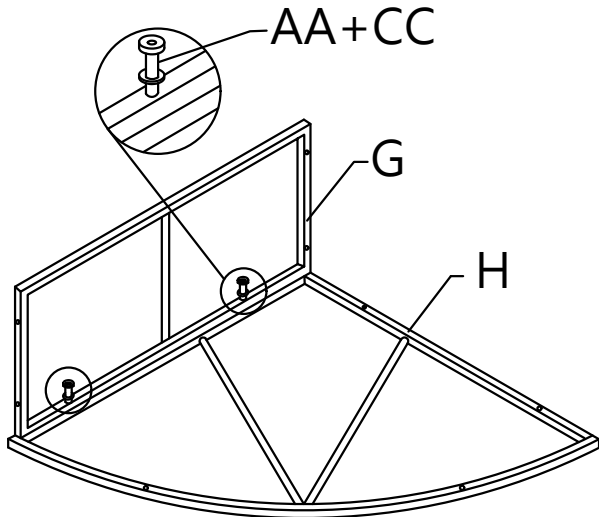
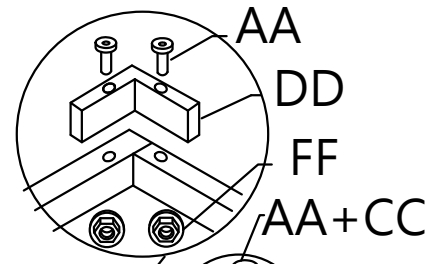
Assembly Steps For Coffee Table

Step 1

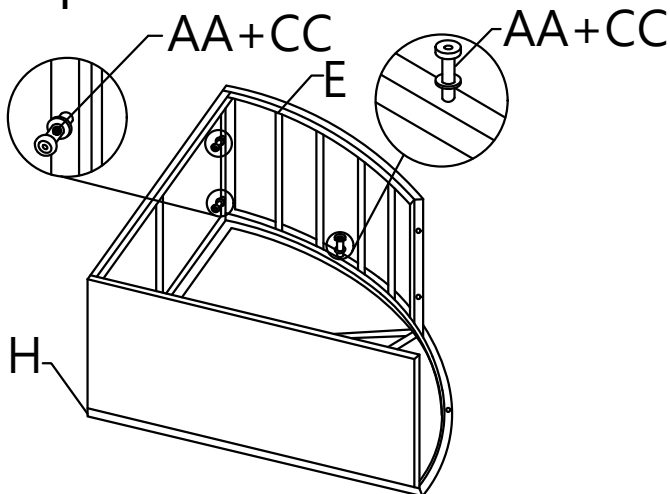


Use #2 Semi-auto Wrench to speed up your assembly.

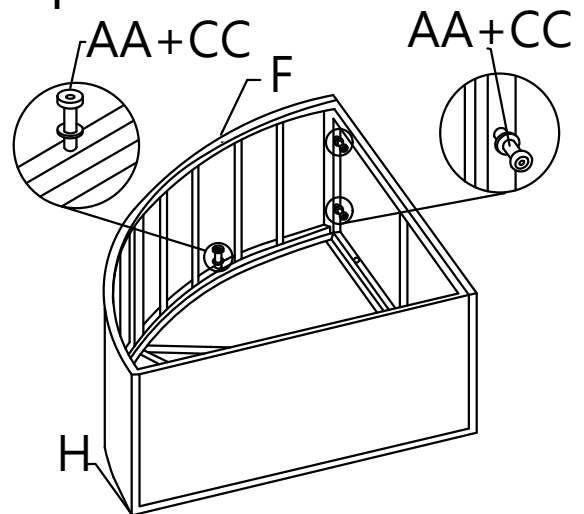
Step 2



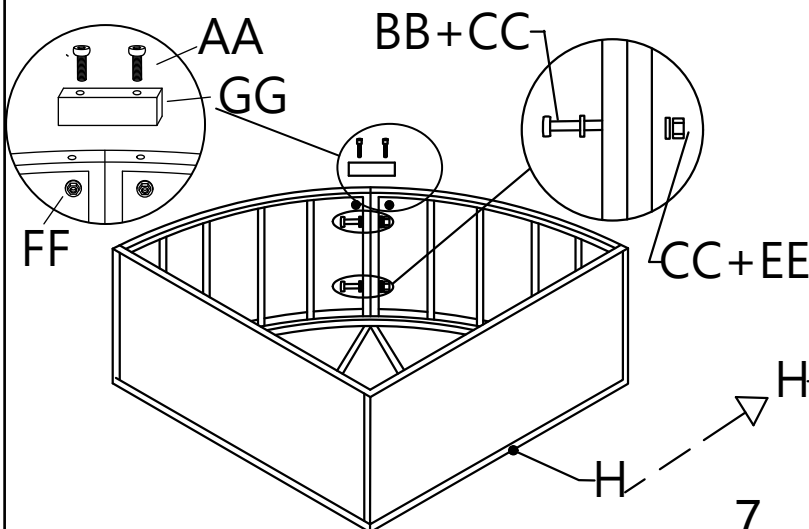
Step 3



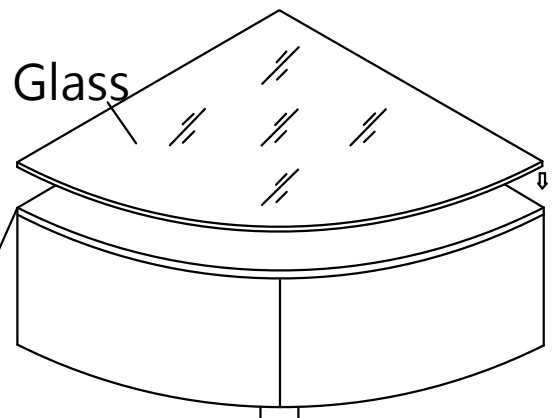
Step 4



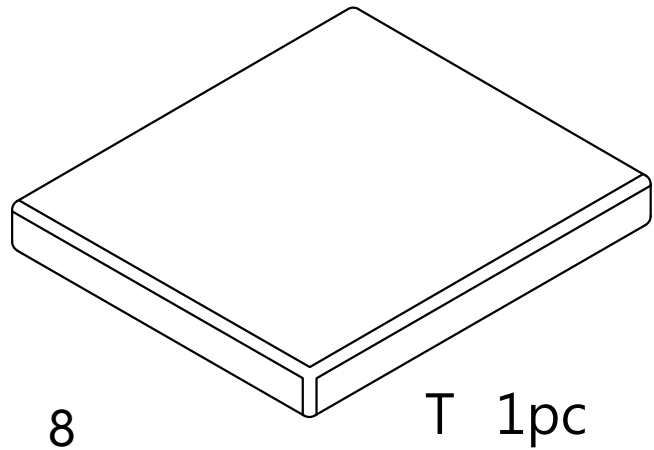
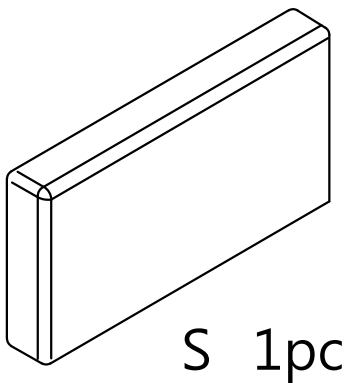
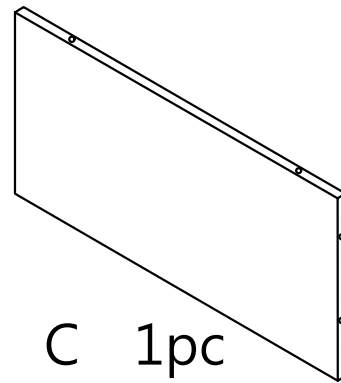
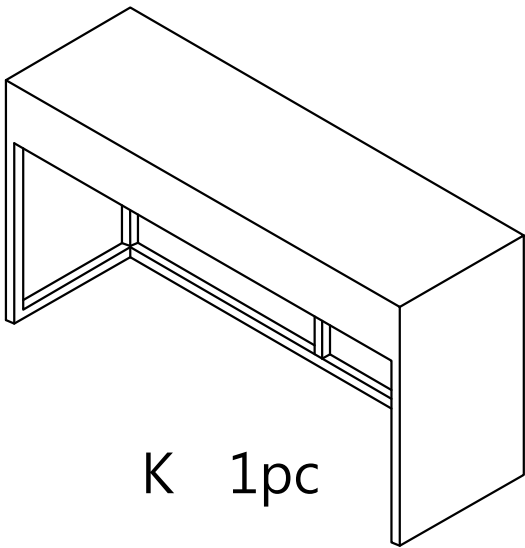
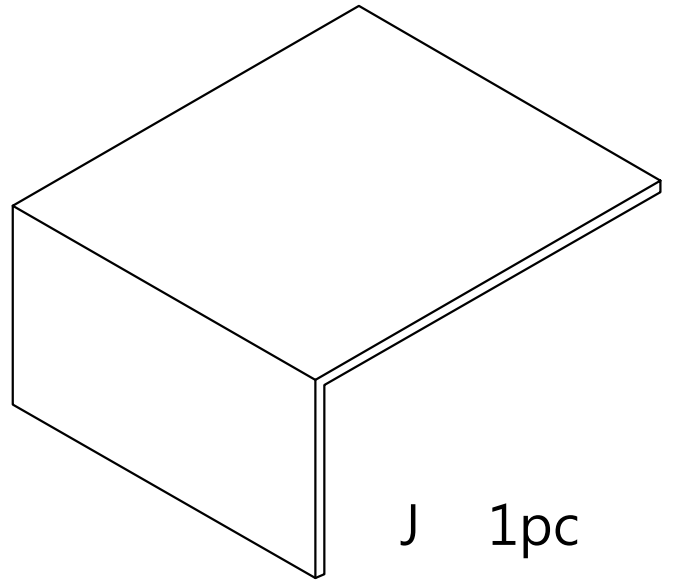
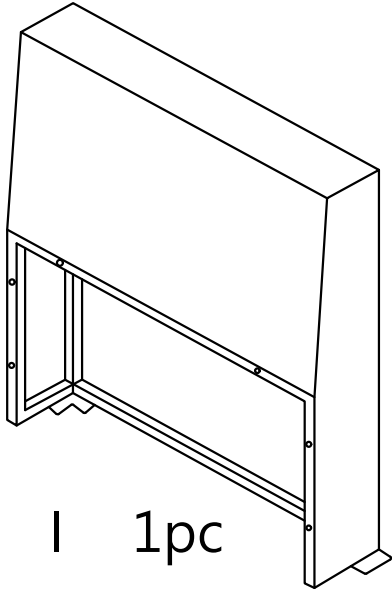
Step 5



Step 6

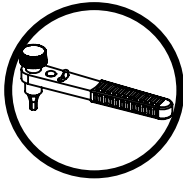


Part List of Right Armchair

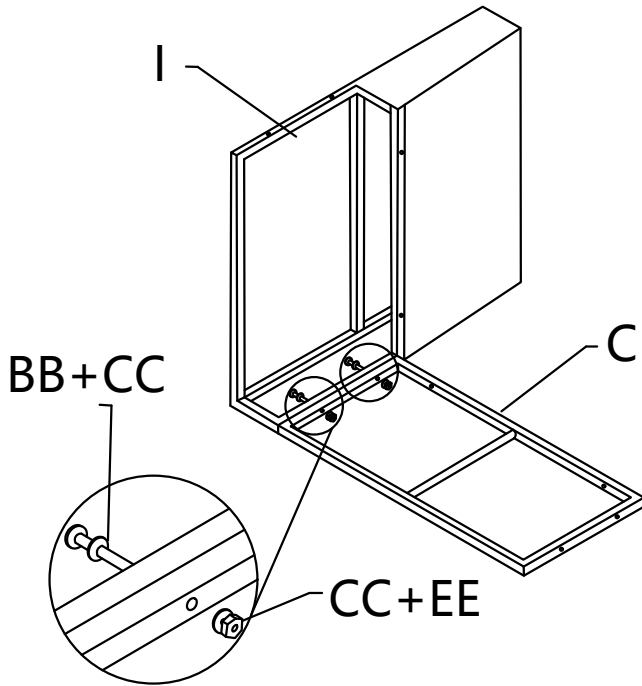


Assembly Steps for Right Armchair

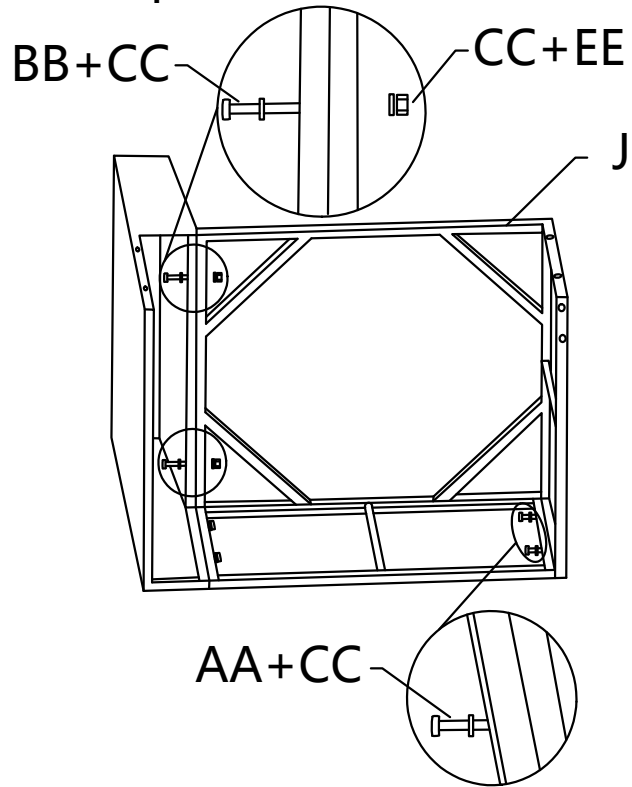
Use #2 Semi-auto Wrench to speed up your assembly.



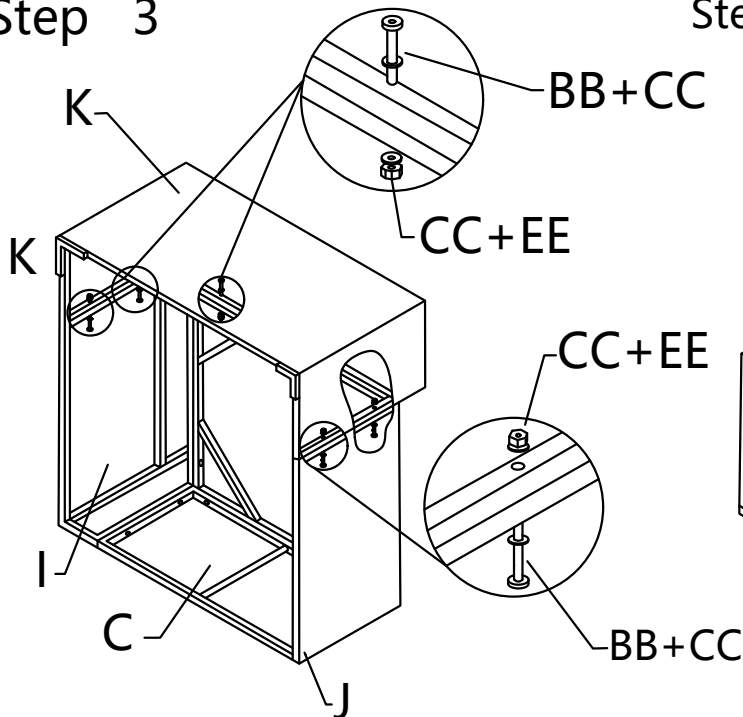
Step 1



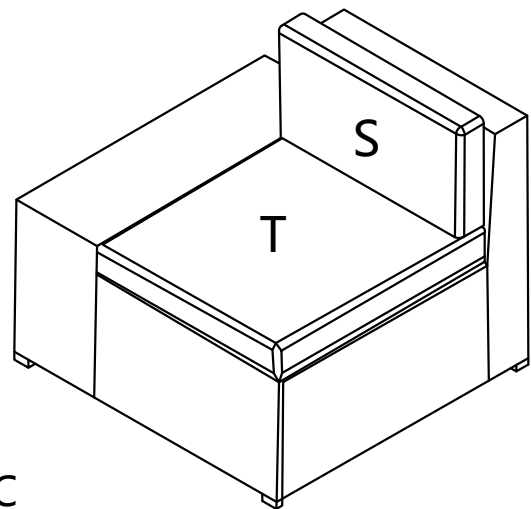
Step 2



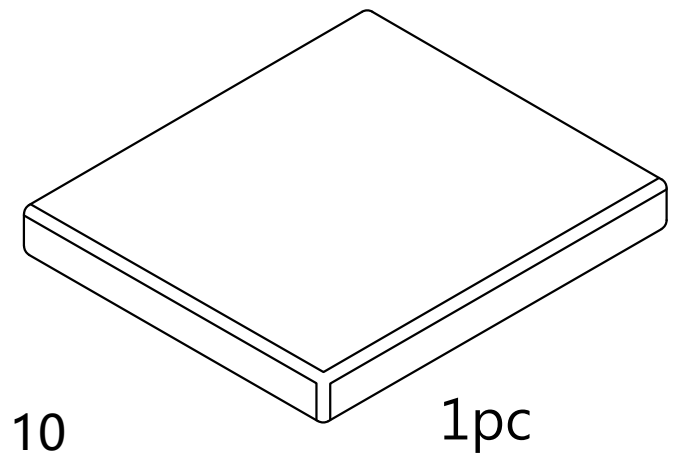
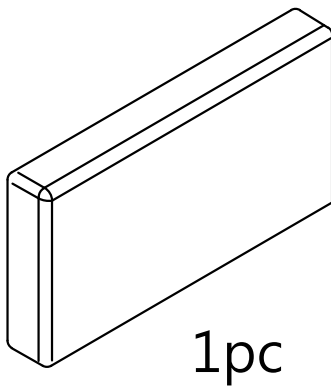
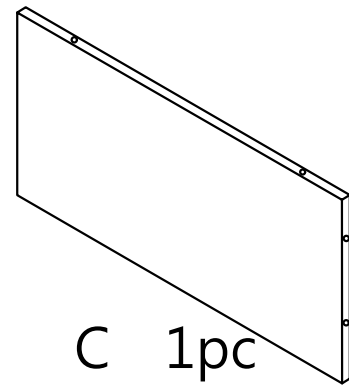
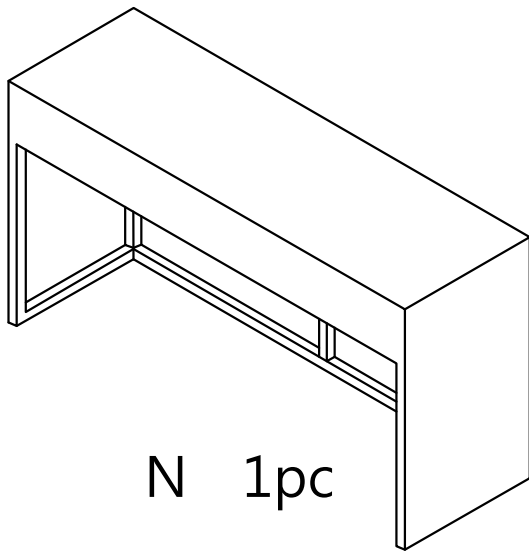
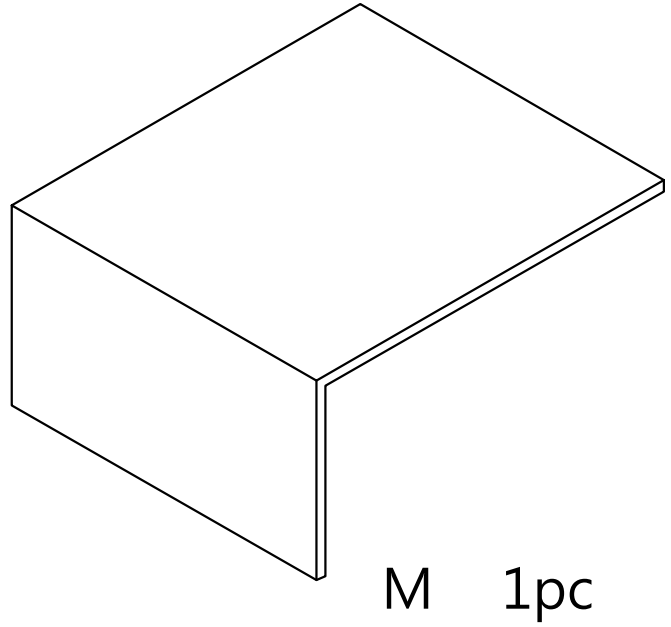
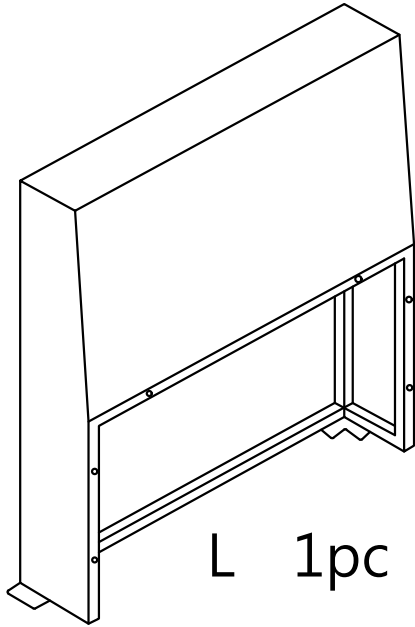
Step 3



Step 4



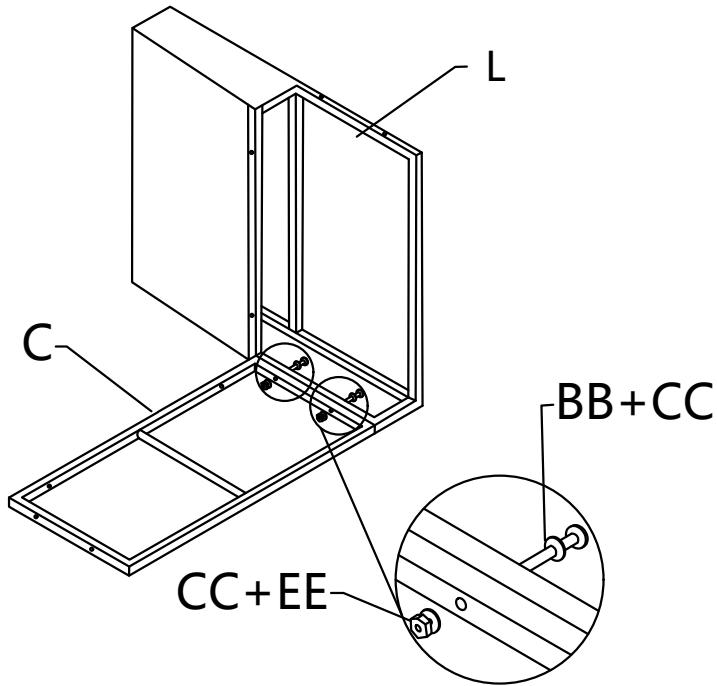
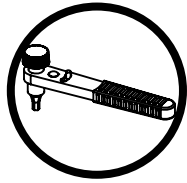
Part List of Left Armchair



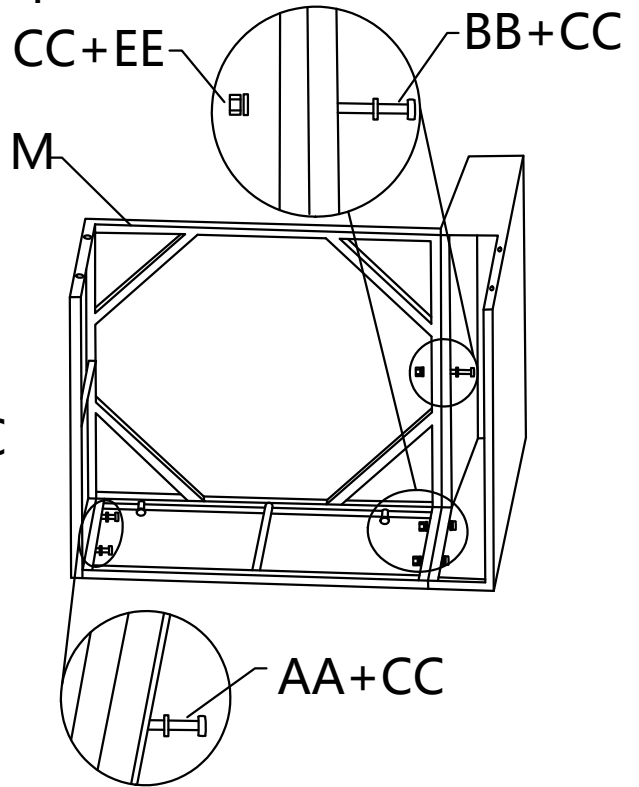
Assembly Steps for Left Armchair

Use #2 Semi-auto Wrench to speed up your assembly.

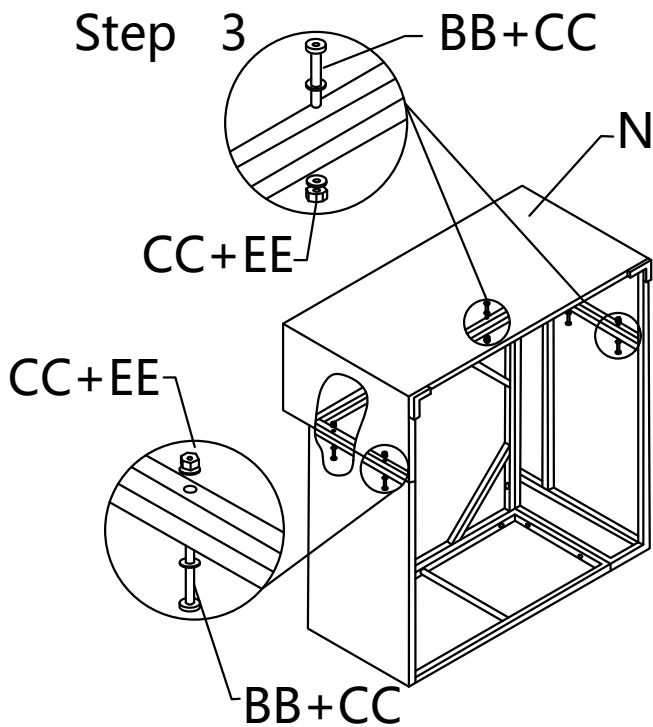
Step 1



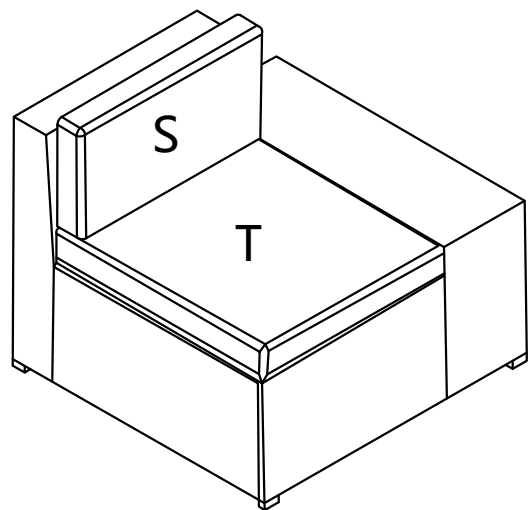
Step 2



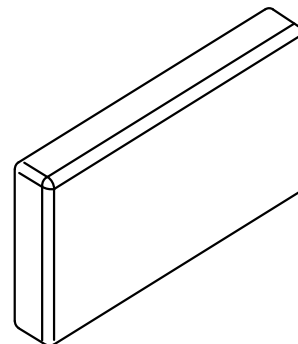
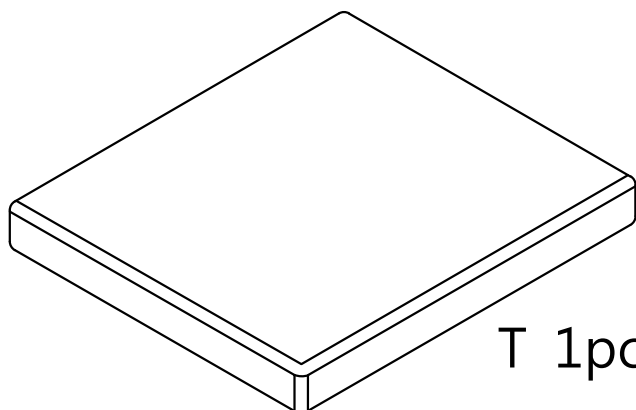
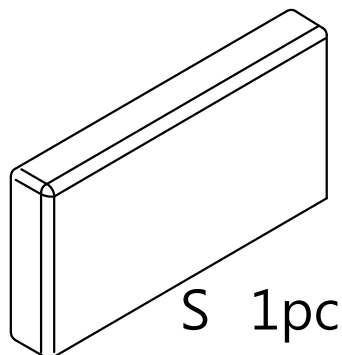
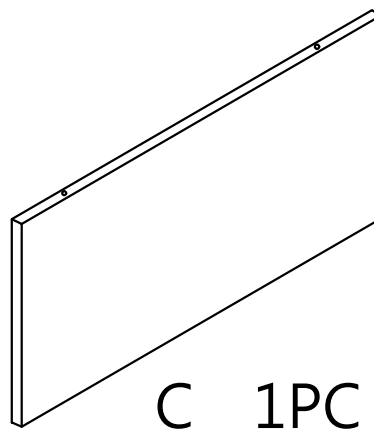
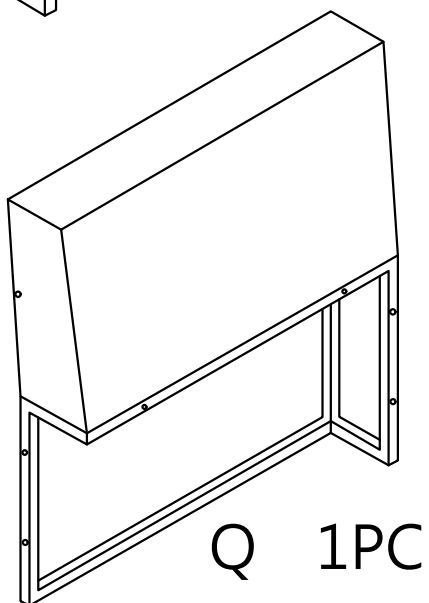
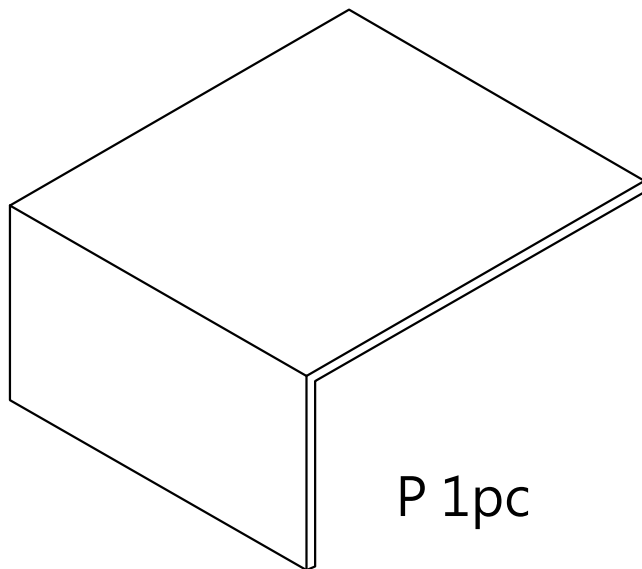
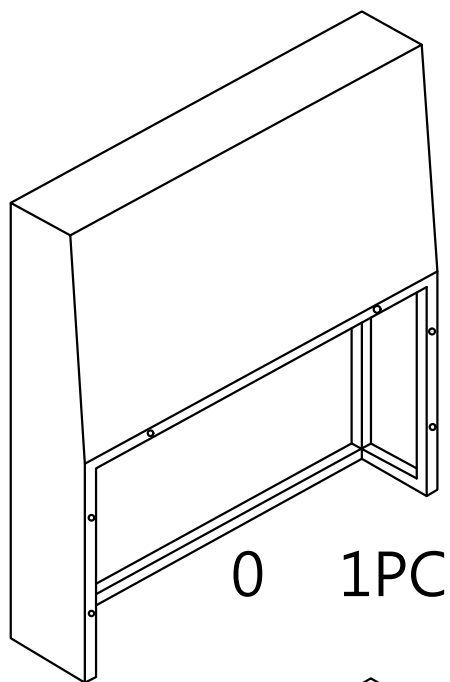
Step 3



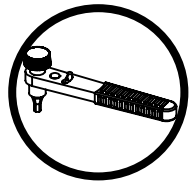
Step 4



Part List of Corner Chair

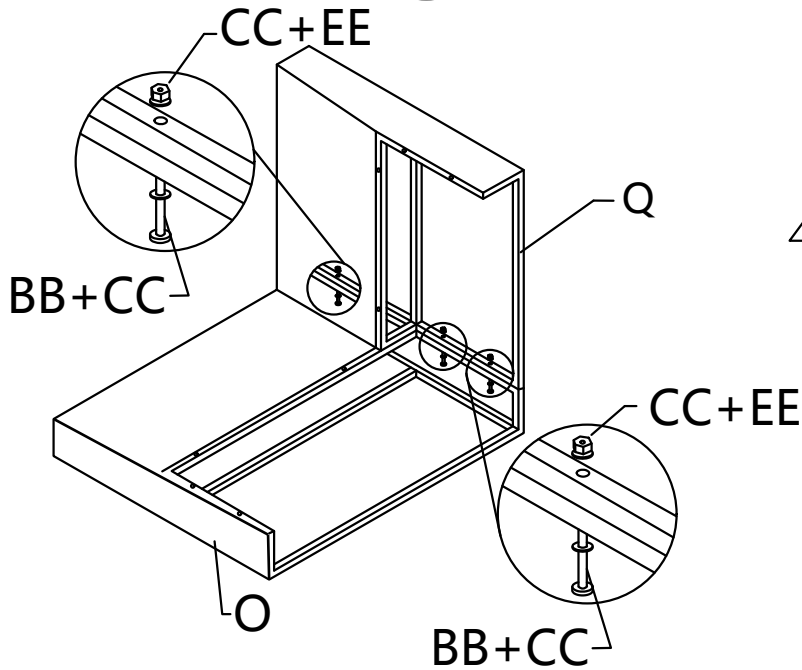


Assembly Steps for Corner Sofa

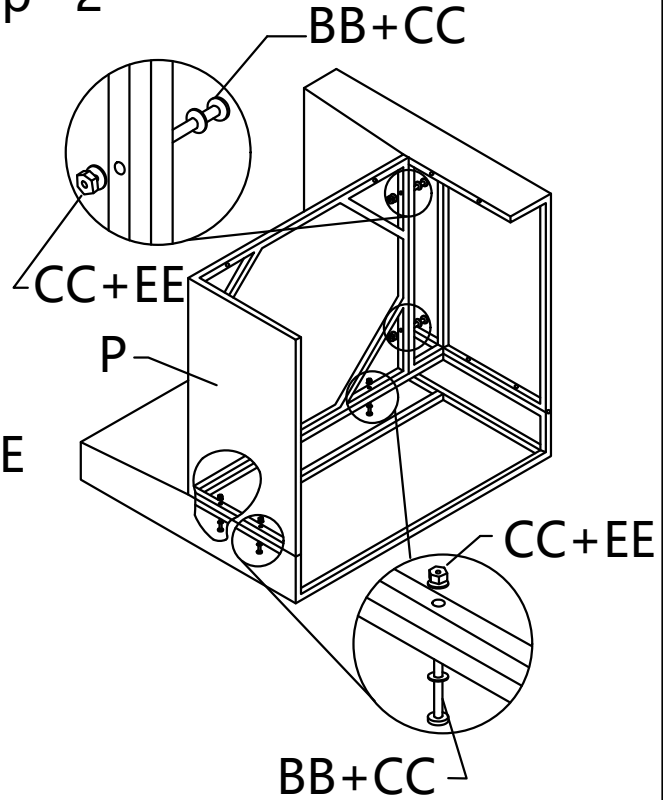


Use #2 Semi-auto Wrench to speed up your assembly.

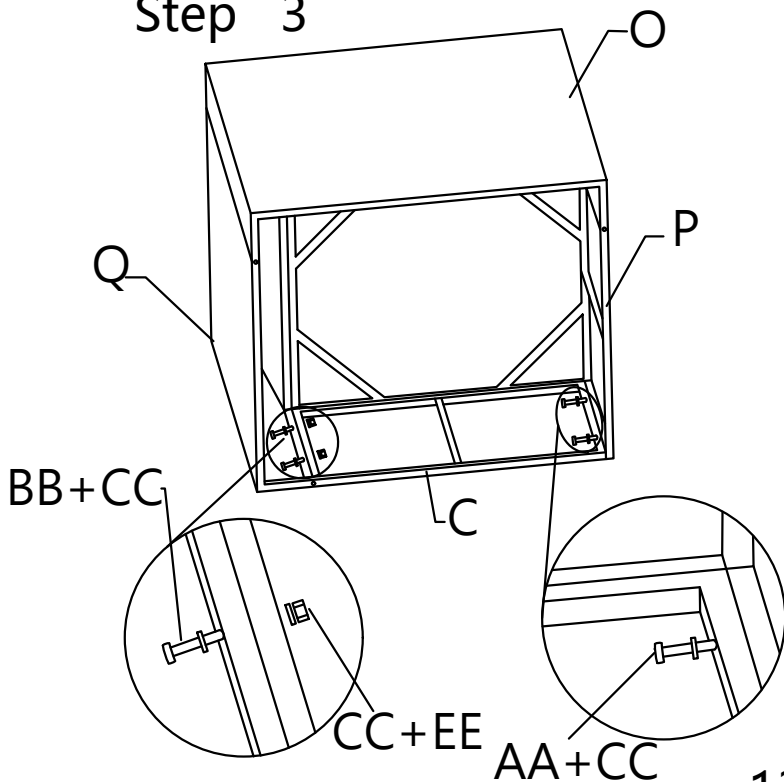
Step 1



Step 2



Step 3



Step 4

