



SKYLINE
FURNITURE
MFG.

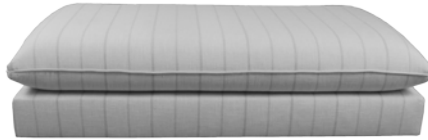
5106 LOVESEAT

ASSEMBLY INSTRUCTIONS FOR 5106 & 6106 SERIES

COMPONENTS



(1) back*



(1) seat*



(2) wooden legs (Front)
remove plastic caps



(2) wooden insert
legs (Back)

*images might vary from actual product

HARDWARE



(7) 1 1/4 in. washers



(7) 5/16 in. nuts



(4) 3/4 in. washers
for leveling legs

IF YOU HAVE ANY QUESTIONS, PLEASE CALL US AT 1.800.542.7553

LIMITED WARRANTY

SKYLINE FURNITURE INC. guarantees its upholstered furniture against defects in construction for a period of one (1) year. When a structural defect is brought to our attention, we will repair or replace it at our option at no charge to the customer (includes parts and labor, not transportation costs). Fabric wearability for upholstered furniture is not covered by the warranty. Vacuum for regular cleaning.

PLEASE DISPOSE OF PLASTIC BAG (S) AND CARTON (S) RESPONSIBLY.

LIMITE DE GARANTIA

SKYLINE FURNITURE INC. garantiza sus muebles tapizados contra defectos en construcción por un periodo de un (1) año. Cuando un problema de estructura es traído a nuestra atención, nosotros repararemos o remplazaremos sin ningún cargo a nuestro cliente (incluye partes y trabajo, no costo en transportación). Descoloramiento del material de muebles tapizados no es cubierto por la garantía. Regularmente puede aspirar.

POR FAVOR TIRAR BOLSA (S) Y CAJA (S) RESPONSABLEMENTE.

GARANTIE LIMITÉE

SKYLINE FURNITURE INC. garantit ses meubles rembourrés contre les défauts de construction pendant une période d'un (1) an. Lorsqu'un vice de construction nous est signalé, nous réparons ou remplaçons le meuble, selon notre choix, sans frais pour le client (incluant les pièces et la main-d'oeuvre, mais excluant les frais de transport). La durabilité du tissu des meubles rembourrés n'est pas couverte par la garantie. Nettoyer régulièrement avec un aspirateur.

VEUILLEZ JETER LE OU LES SAC(S) EN PLASTIQUE ET BOÎTE(S) DE FAÇON RESPONSABLE.



SKYLINE
FURNITURE
MFG.

STEP 1

Open velcro on back.



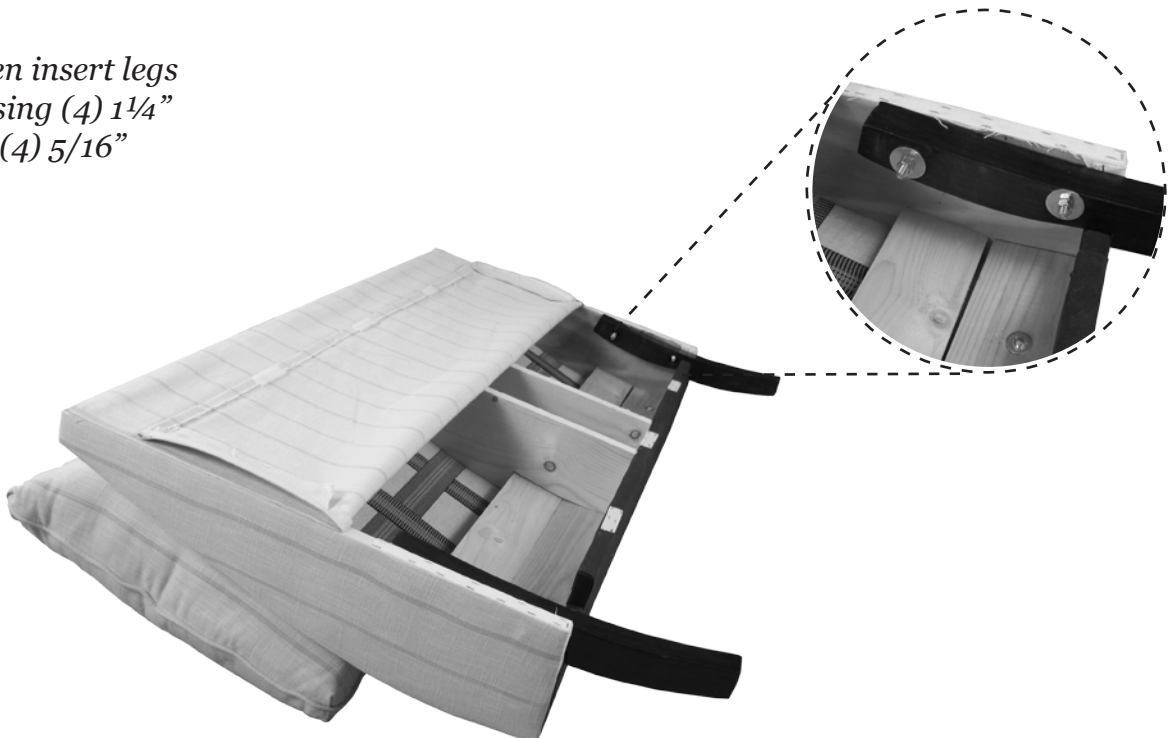
STEP 2

Place wooden insert legs through bolts on the sides of the back.



STEP 3

Attach wooden insert legs to the sides using (4) 1 1/4" washers and (4) 5/16" nuts.





SKYLINE
FURNITURE
MFG.

STEP 4

Close velcro on the back.



STEP 5

Fit back into seat.



STEP 6

*Attach back into seat using
(3) 1 1/4" washers and (3) 5/16" nuts.*





SKYLINE
FURNITURE
MFG.

STEP 7

Screw in front legs.

Turn love seat upright.

If the love seat is not level,
remove the shortest front leg
and place (1) 3/4" washer on the
leg bolt. Screw the leg back on.
Repeat if necessary.*

**Alternatively, you can
loosen the back from the seat
and adjust until level. Once
leveled, do a final tightening.*

