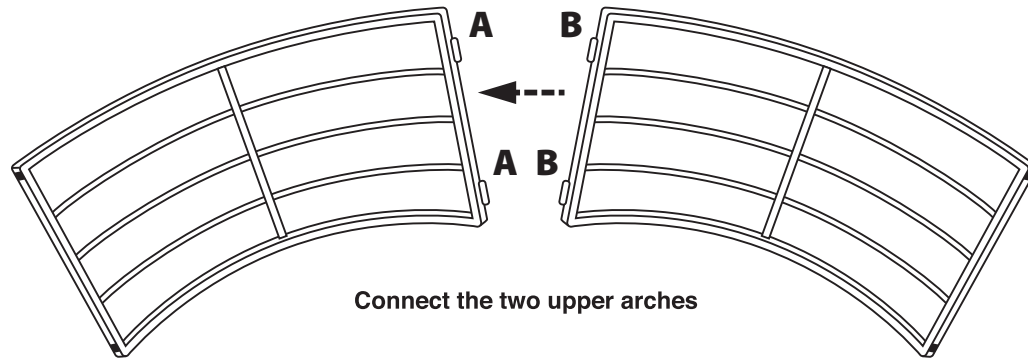


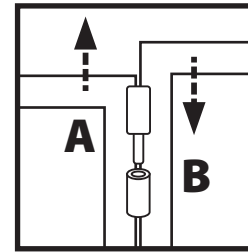
ASSEMBLY INSTRUCTIONS

Assembly may require two people

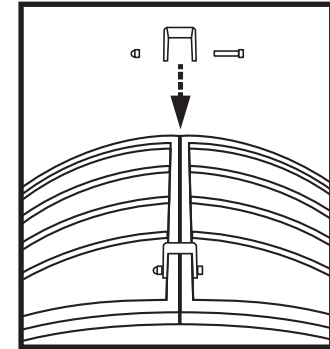
GAMC30-93RB



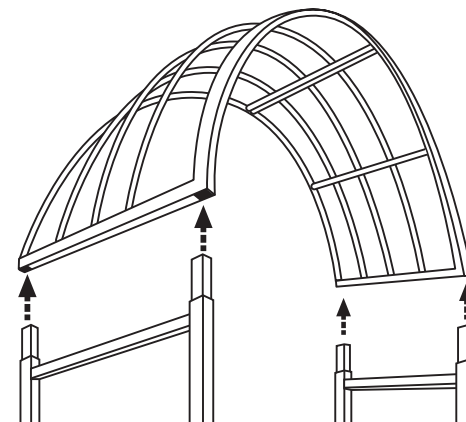
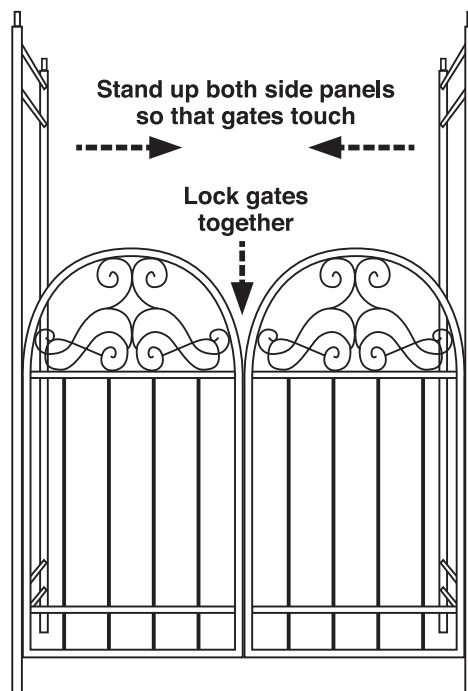
Connect the two upper arches



Slide hinge peg into hinge (2 places)



Lock arches together with bracket, bolt and nut (2 places)



Insert four corners of arch assembly into the four side panel pegs