

Traditional Triple Concealed Thermostatic

| | |
|-----------------------|-----------------------------------|
| Barcode | 5055369030781 |
| Product Code | A3035 |
| Finishes | Chrome |
| Product Type | Thermostatic Shower Valve |
| Water Pressure | LP1 - 0.1 bar pressure minimum |
| Standards | BS EN1287 & BS EN1111 |
| Requirement | Suitable for all plumbing systems |



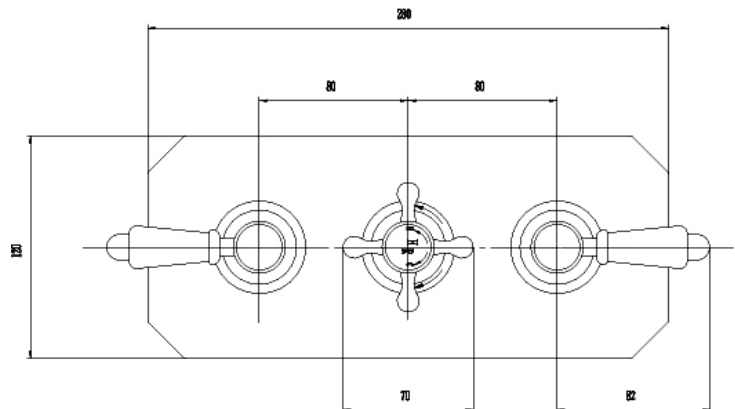
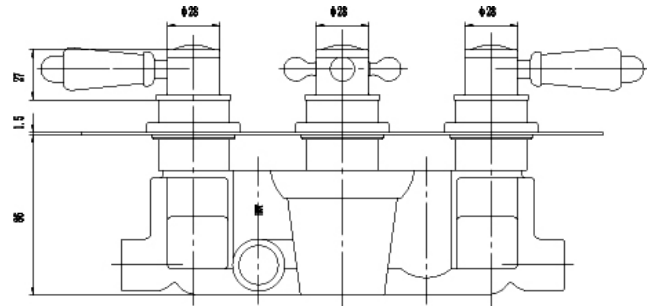
Guarantee & Aftercare

During installation extra care must be taken to avoid damaging the fittings. We provide a 20 year guarantee against faulty workmanship or materials (excluding serviceable parts), providing they have been installed, cared for and used in accordance with our instructions.

ADDITIONAL INFORMATION

- Can be fitted vertically or horizontally
- TMV2 Approved

| Bar | Flow l/min |
|-----|------------|
| 0.1 | 5.5 |
| 0.5 | 14 |
| 1 | 20 |
| 2 | 29 |
| 3 | 44 |



COMPLIANCE: Pending

CUSTOMER CARE:

For further information please call 01282 446789

KEY TO PRODUCT PRESSURE REQUIREMENTS

LP - 0.1 bar min LP2 - 0.2 bar min MP - 0.5 bar min HP1 - 1 bar min HP2 - 2 bar min