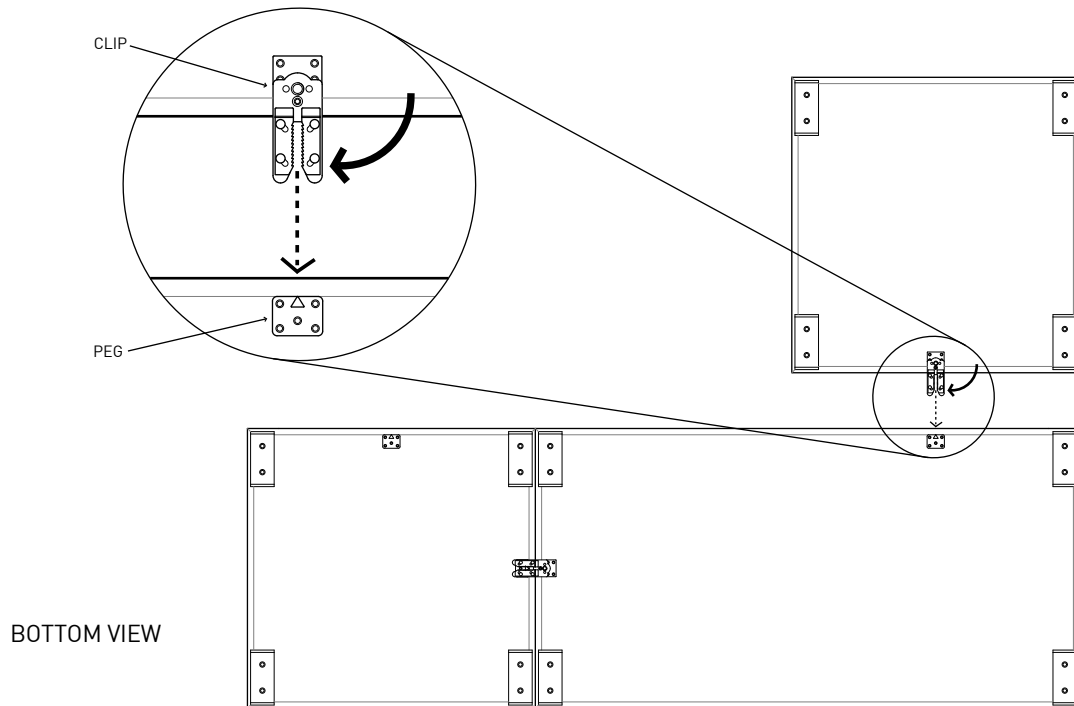
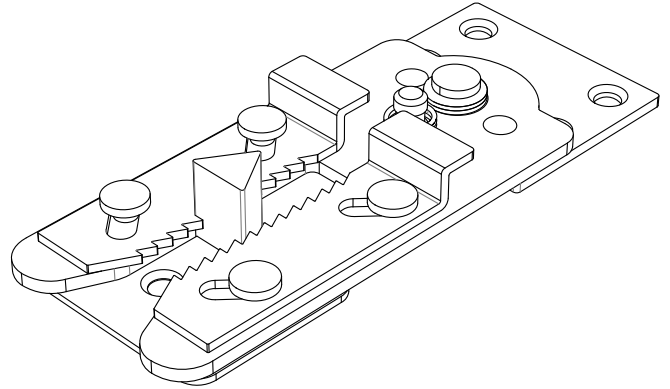


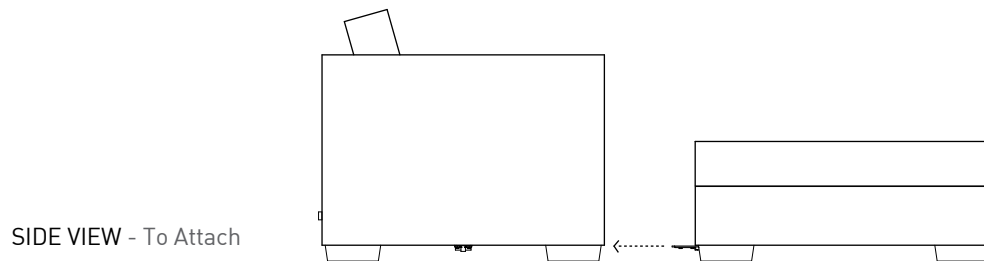
# Sectional Connector

## INSTRUCTIONS FOR USE

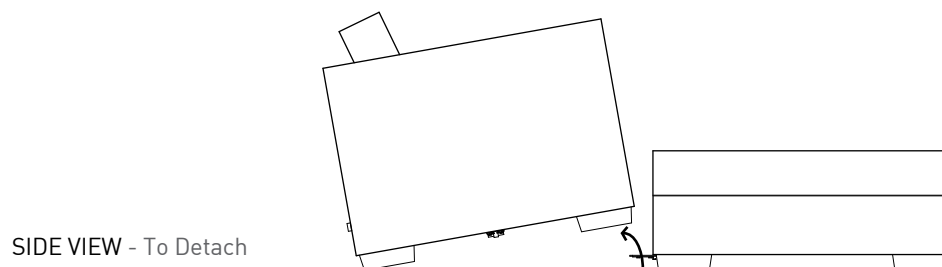
- 1 Roughly position the sectional pieces in the desired configuration.
- 2 Rotate sectional connector Clip to become perpendicular with the edge of the sectional piece.
- 3 Align Clip with Peg on each piece, and push together until they lock in place.
- 4 To separate, simply tilt the piece with the Peg upwards until it slides out of the Clip on the adjacent piece.



BOTTOM VIEW



SIDE VIEW - To Attach



SIDE VIEW - To Detach