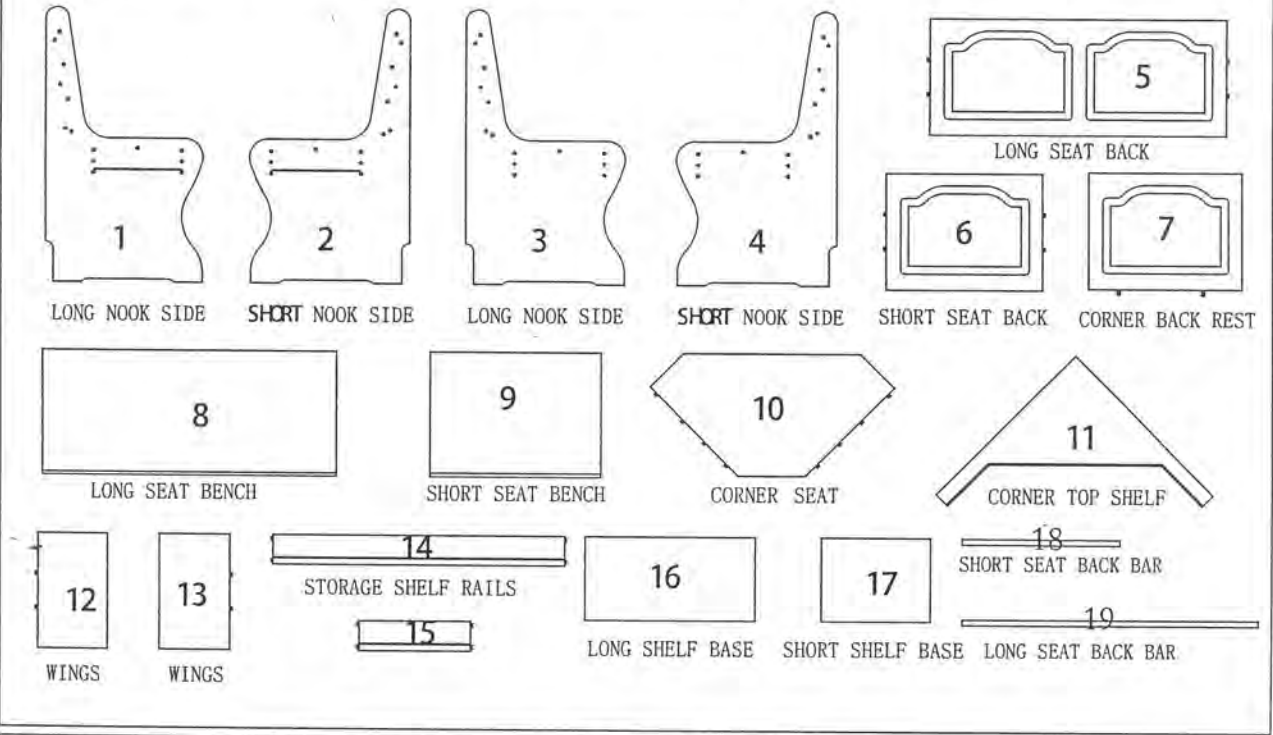


Revised 1/24/14

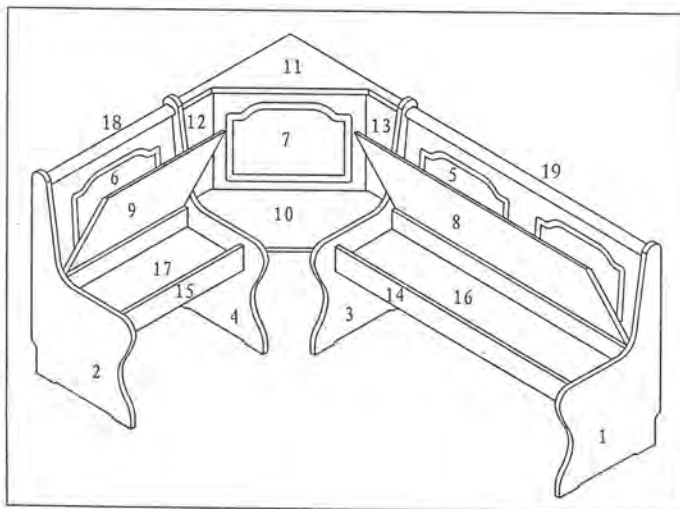
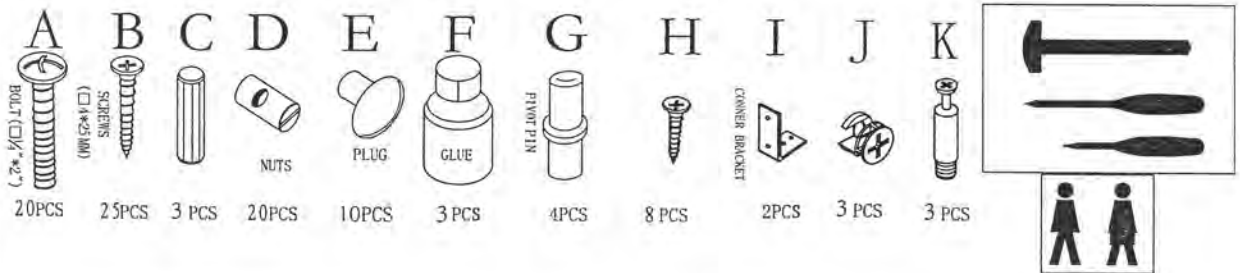
40095

NOOK CORNER ASSEMBLY INSTRUCTION

This item consists of two cartons 1 and 2, and customer needs to open up both cartons to assemble the furniture



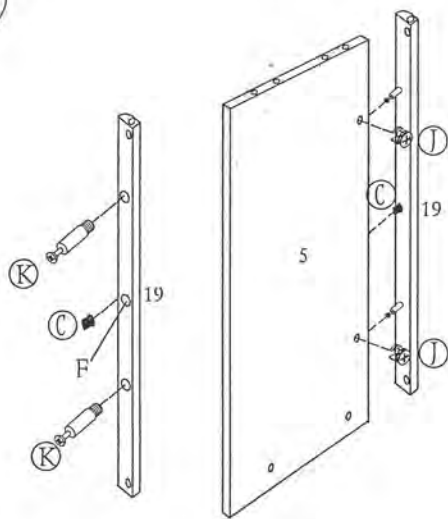
HARDWARE LIST



Assembly Instructions
 Begin by separating the parts as per drawing above in Box 1 and 2,
 The parts are numbered for easy identification
 To prevent damage to the Product, be sure to assemble on a soft surface such as carpet, or place towels under the product during assembly
 Please follow the assembly instructions step by step to avoid problems
IMPORTANT NOTE.
 IT IS RECOMMENDED THAT ALL PLECES BE ASSEMBLED WITH A MANUAL SCREW DRIVER. IF A DRILL IS USED IT IS RECOMMENDED NOT TO APPLY-STRENGTH. IN ORDER TO AVOID SCRATCHES AND CRACKS.

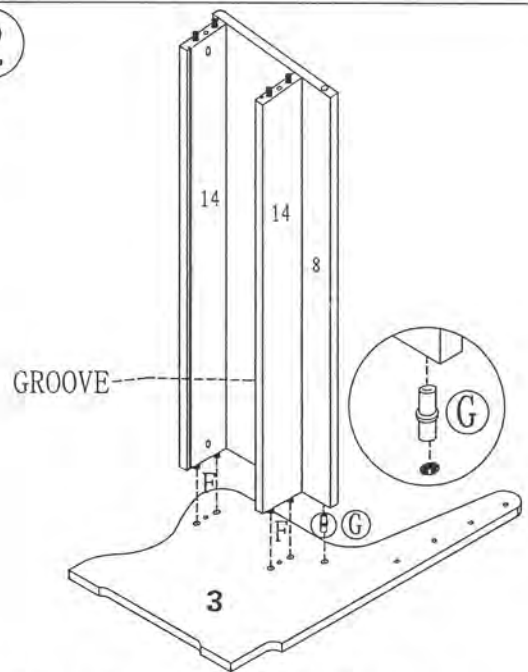
98. 6340
 98. 6361

1



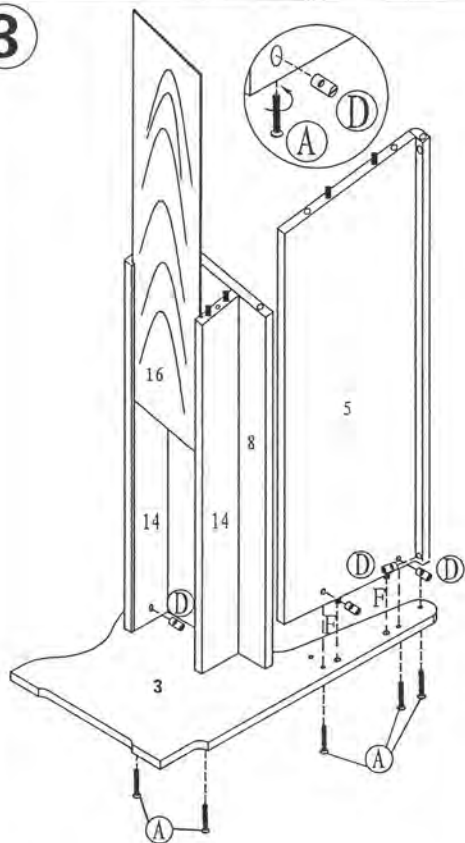
Attach Wooden Dowel(C) and Assemble Camlock Bolt(K) to Long Seat Back Bar(19) With Glue(F), Then Assemble to Long Seat Back(5) with Glue(F) and Camlock(J) As Shown.

2



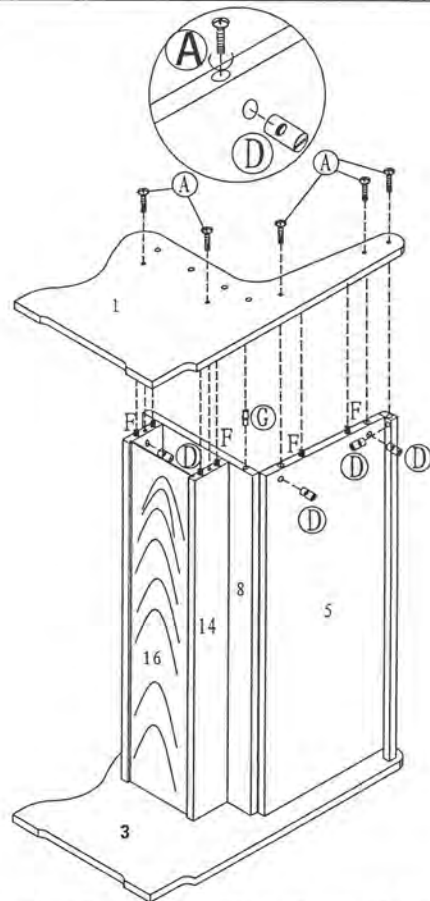
Attach Long Storage Shelf Rails(14) to Long Nook Side(3) with Glue(F), and attach Long Seat Bench(8) to Long Nook Side(3) with Pivot Pin(G).

3

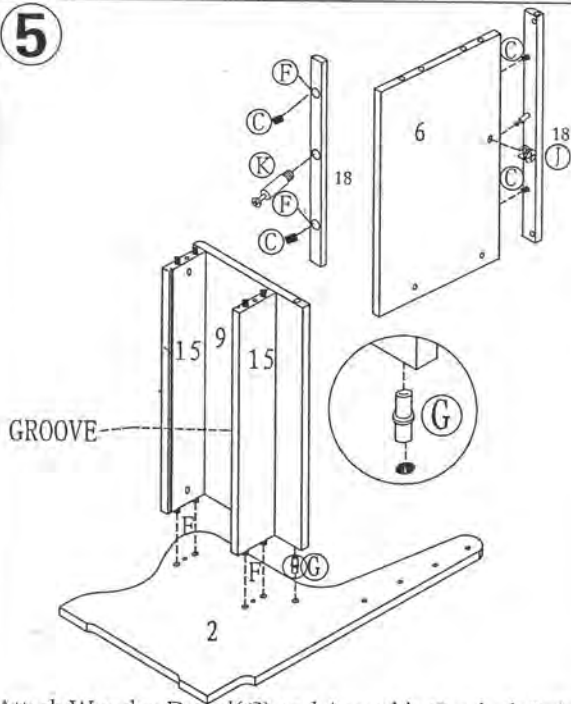


Assemble Long Storage Shelf Rails(14) and Long Seat Back(5) to Long Nook Side(3) with Bolt(A), Screw Nut(D) and Glue(F) as shown. Insert Long Shelf Base (16) to Assembled Unit as shown.

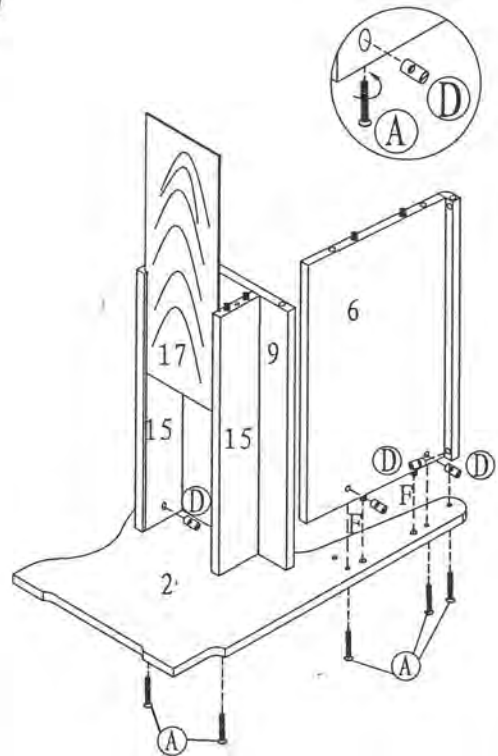
4



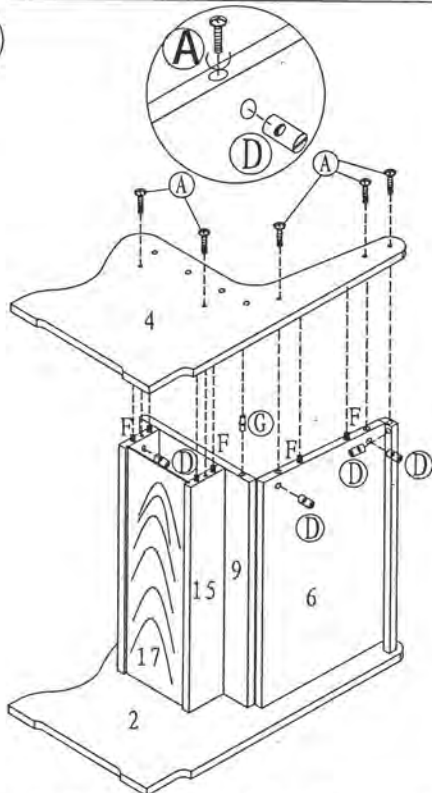
Attach Wooden Dowel (C) to Short Seat Back Bar (18), then assembled to Short Seat Back (6) with Glue(F) as shown.

5

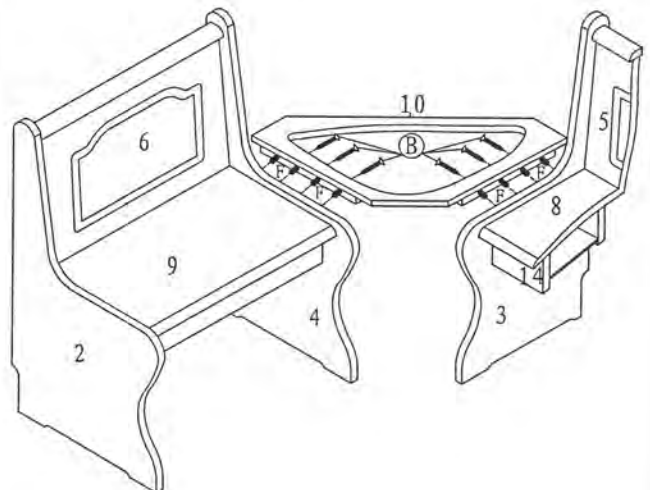
Attach Wooden Dowel(C) and Assemble Camlock Bolt(K) to Short Seat Back Bar(19) With Glue(F), Then Assemble to Short Seat Back(5) with Glue(F) and Camlock(J) As Shown. Attach Short Storage Shelf Rails(15) to Short Nook Side(2) with Glue(F), and Attach Short Seat Bench(9) to Short Nook Side(2) With Pivot Pin(G).

6

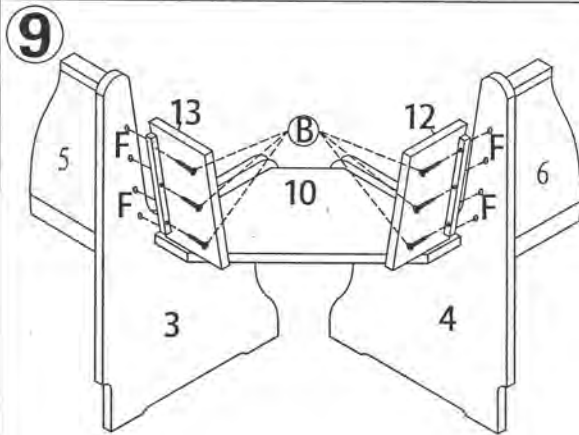
Assemble Short Storage Shelf Rails(15) and Short Seat Back(6) to Short Nook Side(2) with Bolt(A), Screw Nut(D) and Glue(F) as shown. Then insert Short Shelf Base(17) to Assembled Unit.

7

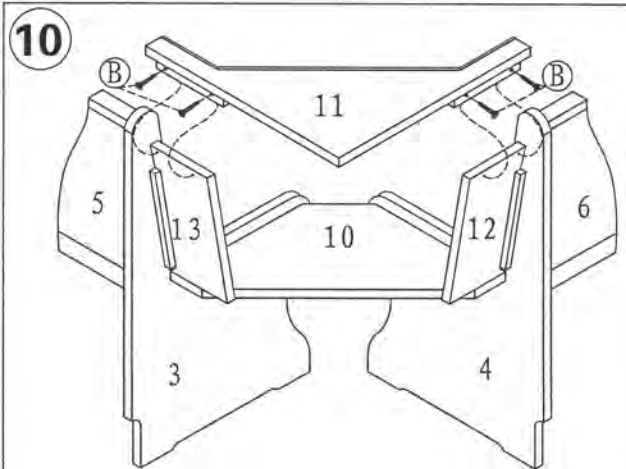
Assemble Short Nook Side(4) to Assembled Unit with Bolt(A), Screw Nut(D) and Glue(F) as shown.

8

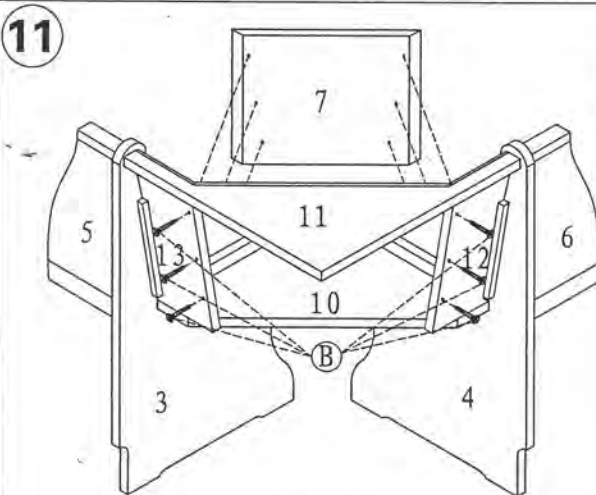
Assemble Conner Seat(10) to assembled unit with Screw(B) and Glue(F) as shown.



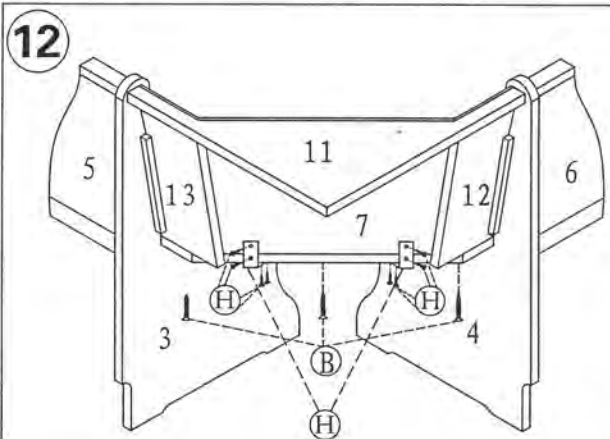
Assemble the two Wings(12&13) to Assembled Unit with Screw(B) and Glue(F) as shown.



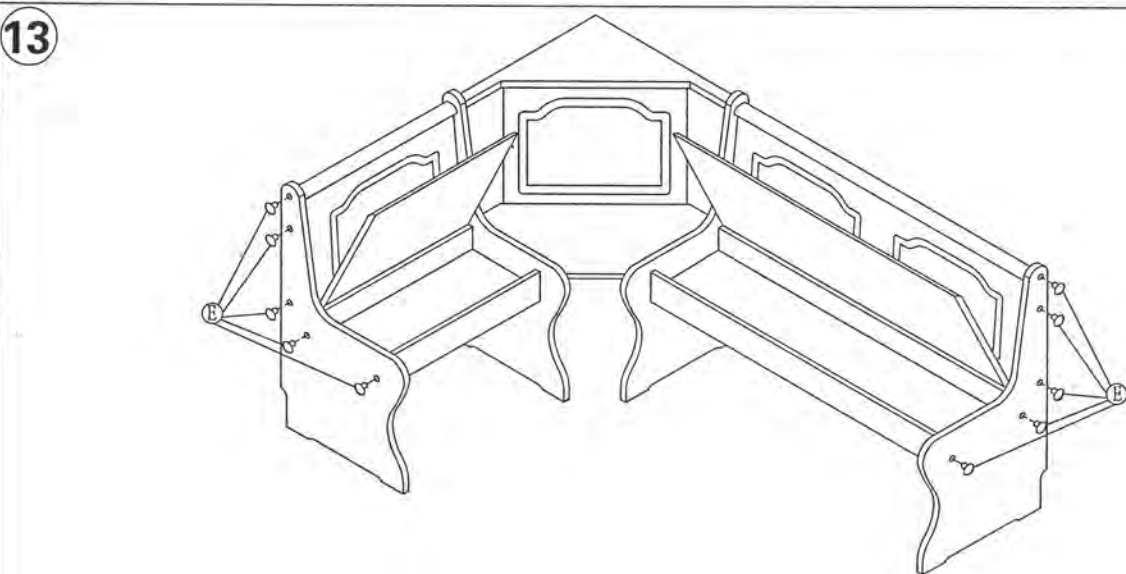
Assemble Conner Top Shelf(11) to Wings(12&13) with Screw(B) As shown.



Assemble Conner Back Rest(7) to Wings(12&13) with Screw(B) as shown

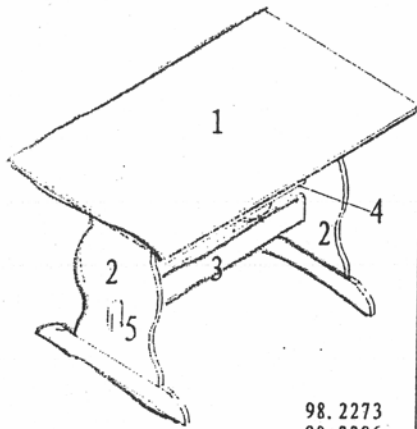


Assemble Conner Seat(10) to Conner Back Rest(7) with two Conner Brackets (I) by using Screw(H) and screw(B) as shown.



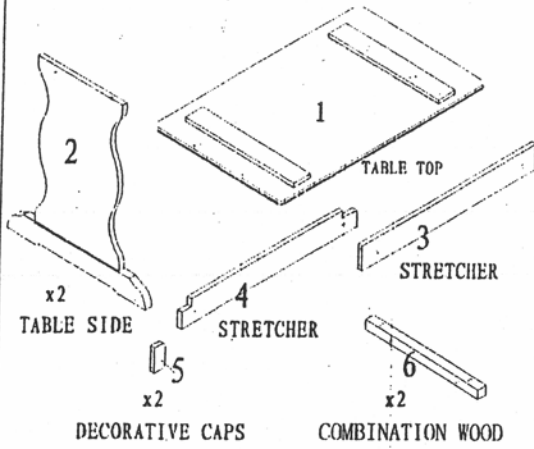
Attach Plastic Plug(E) to Assembled Unit as shown.

40096
Black

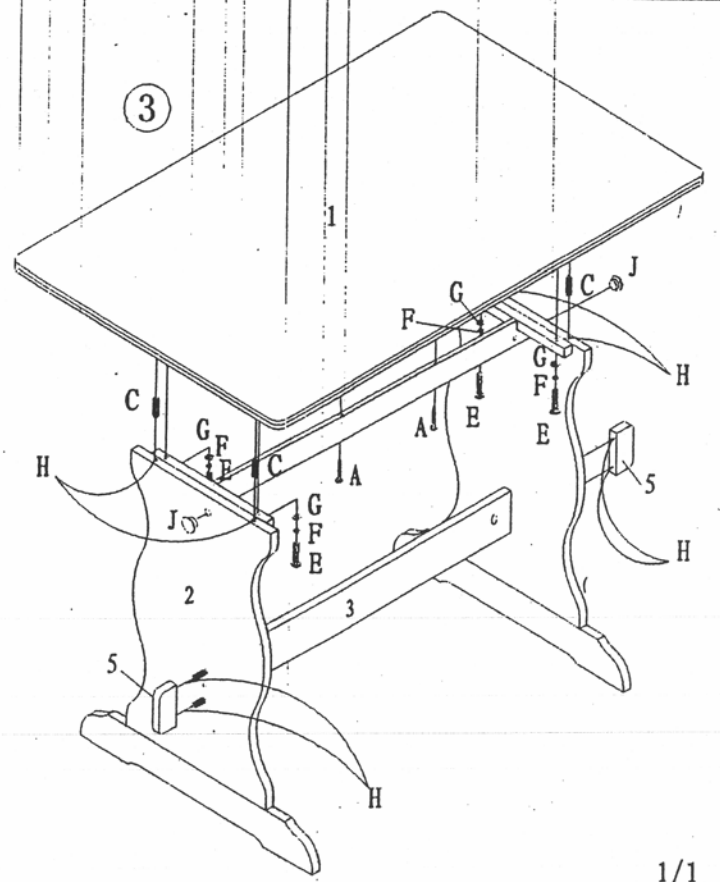
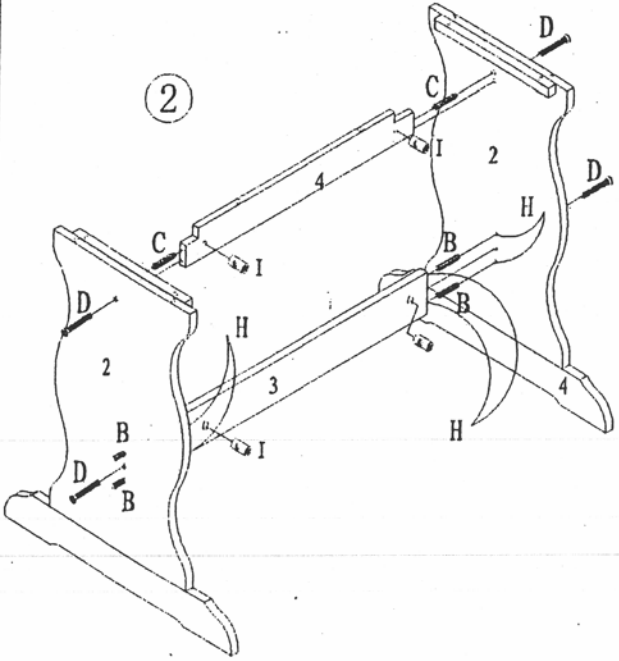
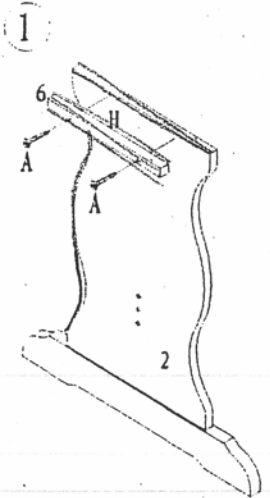
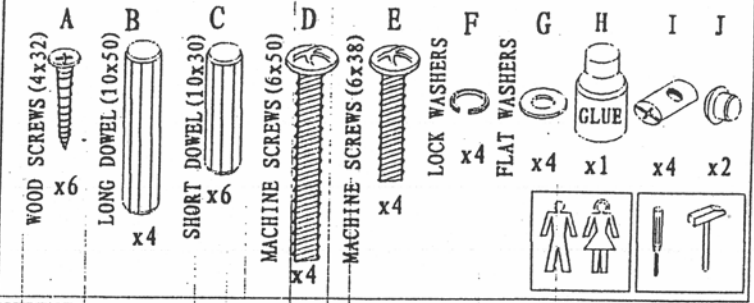


98.2273
98.2286

ASSEMBLY INSTRUCTIONS



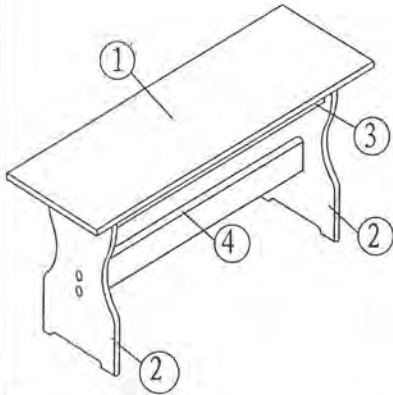
HARDWARE LIST



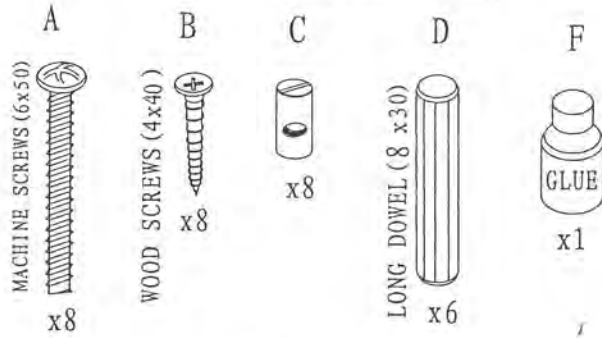
40097 - NK BENCH

ASSEMBLING INSTRUCTIONS

Position your bench on it's side. It is recommended to place a cloth or towel underneath the product to protect the finish during assembly.



HARDWARE LIST



IMPORTANT NOTE

DO NOT USE POWER TOOLS WHEN ASSEMBLING IT IS RECOMMENDED THAT ALL PIECES BE ASSEMBLED WITH A MANUAL SCREW DRIVER.

