

# ENDON®

## Cagney 3 and 5 Pendant Lights

### INSTRUCTION MANUAL

#### Safety Warnings

- This product is only suitable for connection to a 240V~50Hz supply in accordance with current IEE wiring Regulations and should be installed in accordance with local Building Regulations and is for Domestic ceiling use only. It is not suitable for a Bathroom location.
- The light fitting should be connected to a lighting circuit protected by a 5 amp fuse (or a 6 amp miniature circuit breaker).
- If in doubt we recommend you contact a qualified electrician. Before installing your light fitting always:
- Switch off the mains supply and remove the appropriate fuse or switch off the appropriate circuit breaker before commencing installation.
- Ensure that no one else has access that would enable the supply to be inadvertently reconnected.
- Never fit bulbs of a higher wattage or of a type other than those specified on the label as this may cause overheating and damage the fitting.
- This product contains glass parts – be careful during handling and maintenance to avoid breakage.
- If any modification is made it will invalidate the warranty and may render the product unsafe.

#### Care Information

Allow 10 minutes to cool before replacing, adjusting or cleaning.

Clean with a dry cloth only. Do not use liquid or abrasive cleaners on this product.

#### Assembly/ User Instructions

##### Before you start

**Please read these instructions carefully before fitting your new light and retain for reference.**

**Make sure that there are no pipes or cables beneath the mounting surface.**

Check the packaging and make sure that you have all the required parts.

Follow each assembly step in order to prevent incorrect assembly.

Make sure all screws / nuts, including electrical connections etc are fully tightened before use.

This type of Light Fitting may be connected to a Dimmer but seek advice before purchase

##### The Light pack contains:

Light fitting.

Terminal connection block(s).

Fixing pack.

Lampholder covers (as required)

Shade/ Bulb tool (as required)

Allen key (as required)

##### The following tools may be required:

Selection of cross and flat head screwdrivers.

Electric drill and assorted drill bits.

Wire strippers.

Electrical insulation tape.

Allen Keys

Personal protection equipment

**These assembly diagrams are intended as a guide – if in doubt consult a qualified electrician.**

**These assembly diagrams are intended as a guide – if in doubt consult a qualified electrician.**

**NOTE: The 3 light fitting is shown here but the same general assembly instructions apply to the 5 light fitting.**

1. Decide on the position of the light fitting / or remove existing light fitting. Take a note of the position of the electrical connections. Ensure there is a solid mounting surface, preferably a wooden joist or joist bridge to support the weight of the light fitting.
2. See **Diagram A**. Remove the fixing bracket, by undoing the 2 side screws (1), retain these for re-use.
3. Use the fixing bracket (2) as a template to mark the screw holes, mark the screw holes and secure to the ceiling with the screws (3) supplied.

# Assembly/ User Instructions Continued

Diagram A

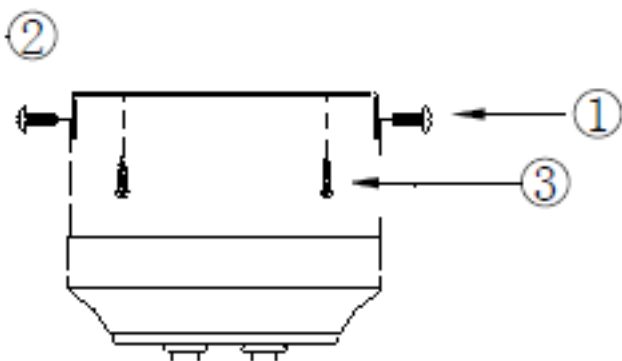
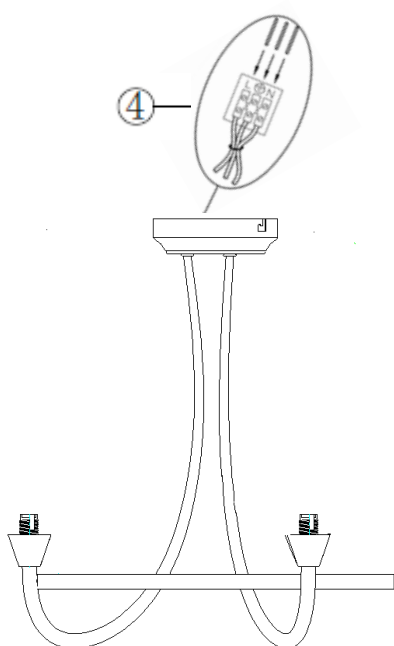
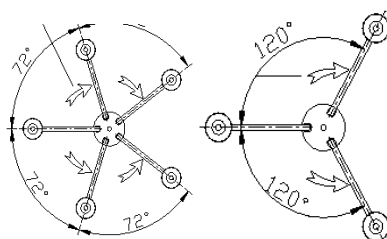


Diagram B

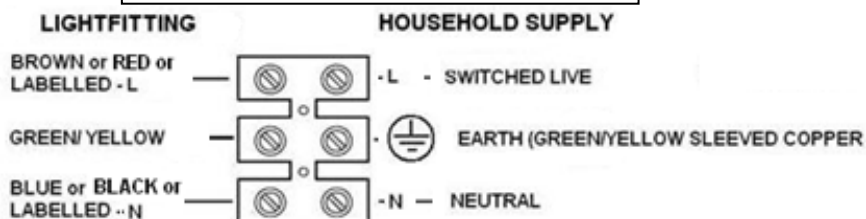


5 light

3 light



④ Details of terminal wiring.



4. **Diagram B.** Your fitting will come 'flat packed'. Before connection to the supply gently pull the arms into position. Arm angle approximately 120° for the 3 light pendant and 72° for the 5 light pendant.
5. Support your fitting and connect the house wiring to the terminal block (4) – see wiring details. **NOTE: This is a Class I fitting and must be earthed.** The 4th terminal block connector is used for the "loop" wires of the "Ring Circuit". There may be more than one set of cables in the "loop" connections. If this terminal is loose, wrap it with 2 layers of good quality insulation tape. **If there is a "Ring Circuit" and you do not understand the connections you must consult an electrician.**
6. Secure the fitting back onto the fixing bracket with the 2 side screws (1), removed in 2 above. Make sure that all the internal cables and connections are inside the ceiling cup taking care not to trap or strain the internal cables.
7. **Diagram C.** Secure each shade (5) with the shade ring (6), using the shade ring tool (7). Be careful not to over tighten and damage the shades.
8. Fit the capsule bulbs into the lamp holders being careful not to touch them with your bare hands – use a tissue or cloth to insert the bulbs. **NOTE; Never fit bulbs of a higher wattage or of a type other than those provided / specified on the label (as these may cause overheating and damage the fitting).**
9. Turn on the power and test.

Diagram C

