


ENDON®

Gibson & Garcia Pendant Light Fitting

INSTRUCTION MANUAL

Safety Warnings

- These products are only suitable for connection to a 240V~50Hz supply in accordance with current IEE wiring Regulations and should be installed in accordance with local Building Regulations and are for Domestic ceiling use only. They are not suitable for a Bathroom location.
- Before installing your light fitting always switch off the mains supply and remove the appropriate fuse or switch off the appropriate circuit breaker before commencing installation.
- If the Class II, Double Insulated symbol  is on the Light Fitting then the Fitting does not require an Earth, and Live or Neutral **must not** be connected to Earth. If there is no such symbol the Fitting **must** be Earthed. The terminal blocks are supplied according to requirements of the fitting.
- Never fit bulbs of a higher wattage than those specified on the label (as these may cause overheating and damage the fitting).
- If you are in any doubt about your competence please consult a qualified electrician.
- These products may contain delicate parts – be careful during handling and maintenance to avoid breakage.
- If any modification is made it will invalidate the warranty and may render the product unsafe.

Care Information

Allow 10 minutes to cool before replacing, adjusting or cleaning.

Clean with a dry cloth only. Do not use liquid or abrasive cleaners on this product.

Assembly/ User Instructions

Before you start

Please read these instructions carefully before fitting and retain for reference.

Check the packaging and make sure that you have all the required parts.

Follow each assembly step in order to prevent incorrect assembly.

Ensure that the product is fully assembled as illustrated before use.

Please note - This instruction covers several style of fitting. The diagram may look different from your product, however all the steps required are the same.

The Light pack contains:

Light fitting.

Terminal connection block(s).

Fixing pack.

The following tools may be required:

Selection of cross and flat head screwdrivers.

Electric drill and assorted drill bits.

Wire strippers.

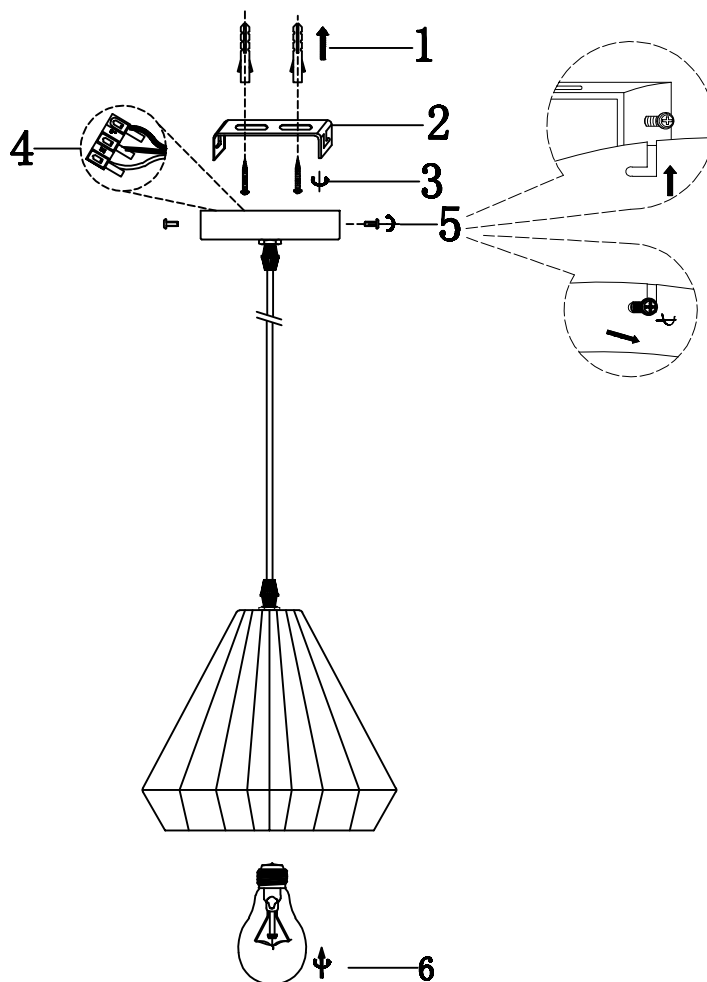
Electrical insulation tape.

Allen Keys

These assembly diagrams are intended as a guide – if in doubt consult a qualified electrician.

Assembly/ User Instructions Continued

1. Decide on the position of the light fitting / or remove existing light fitting. Take a note of the position of the electrical connections. Ensure there is a solid mounting surface, preferably a wooden joist or joist bridge to support the weight of the light fitting.
2. If you want to reduce the overall length of the fitting it is essential that this is done before the fitting is mounted to the ceiling and / or connected to the mains supply. The cable must be shortened and the excess cable cut and re-connected to the terminal block. Twist the plastic cap, then feed the cable up through the plastic bush and form a loop above the ceiling cup, moving the figure of 8 cable restraint down the exposed cable. **NOTE: The electric cable must always be longer than the chain to prevent strain being placed on the cable. If you are unsure about your ability to do this, we recommend you contact a qualified electrician.**
3. Remove the two side screws (5) and retain the screws for re-use. Use the fixing bracket (2) as a template to mark the screw holes. Mark the screw holes and secure to the ceiling with appropriate screw fixings (1&3).
4. Support your fitting and connect the house wiring to the terminal block (4) – see expanded wiring details below. **NOTE: This is a Class I fitting and must be earthed.** The 4th terminal block connector is used for the “loop” wires of the “Ring Circuit”. There may be more than one set of cables in the “loop” connections. If there is a “Ring Circuit” and you do not understand the connections you must consult an electrician. Any loose terminal blocks – not secured to ceiling cup – should always be covered with 2 layers of good quality insulation tape.
5. Secure the ceiling cup over the bracket by using the screws (5) removed in Point 2.
6. Fit the bulb(s) (6). **NOTE: Never fit bulbs of a higher wattage than those specified on the label (as these may cause overheating and damage the fitting).**
7. Turn on the power and test.



Wiring Diagram

