

ASSEMBLY INSTRUCTIONS

2 DOOR COMBI ROBE

IMPORTANT: READ THESE INSTRUCTIONS CAREFULLY BEFORE ASSEMBLING OR USING YOUR 2 DOOR COMBI ROBE.

PLEASE KEEP THESE INSTRUCTIONS FOR FUTURE REFERENCE.

HEALTH & SAFETY:

DO NOT use this item if any parts are missing, damaged or worn.

DO NOT use this item unless all fixings are secured.

Please keep small parts out of reach of children.

Always use on a level, even surface.

CARE & MAINTENANCE:

Assemble in the room of use.

Assembly should be carried out with this item laying flat, not standing upright.

Assemble on a soft, clean surface to prevent damages.

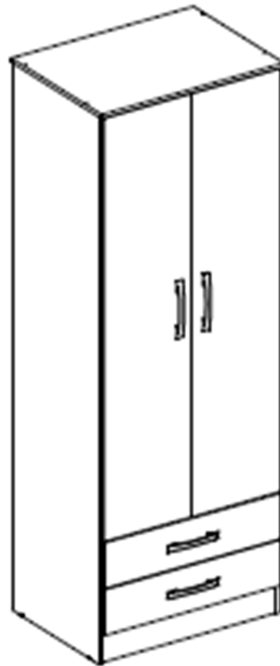
To remove the printed numbers on the pieces, use a moistened cloth.

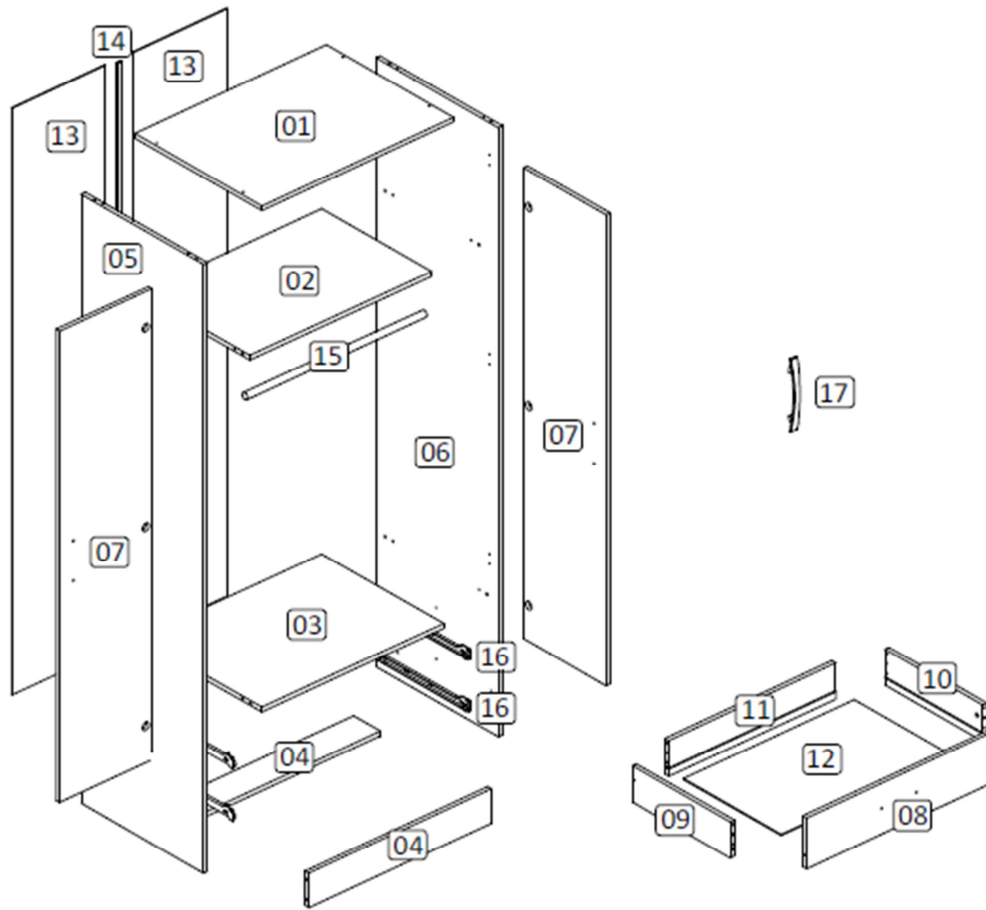
Periodically check all screws & fixings to ensure they are secure.






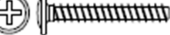
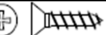
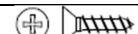
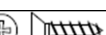
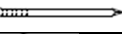







DO NOT push the item as this will damage the legs.

Always lift the item with two people to reposition.

Keep any sharp objects away from the item.

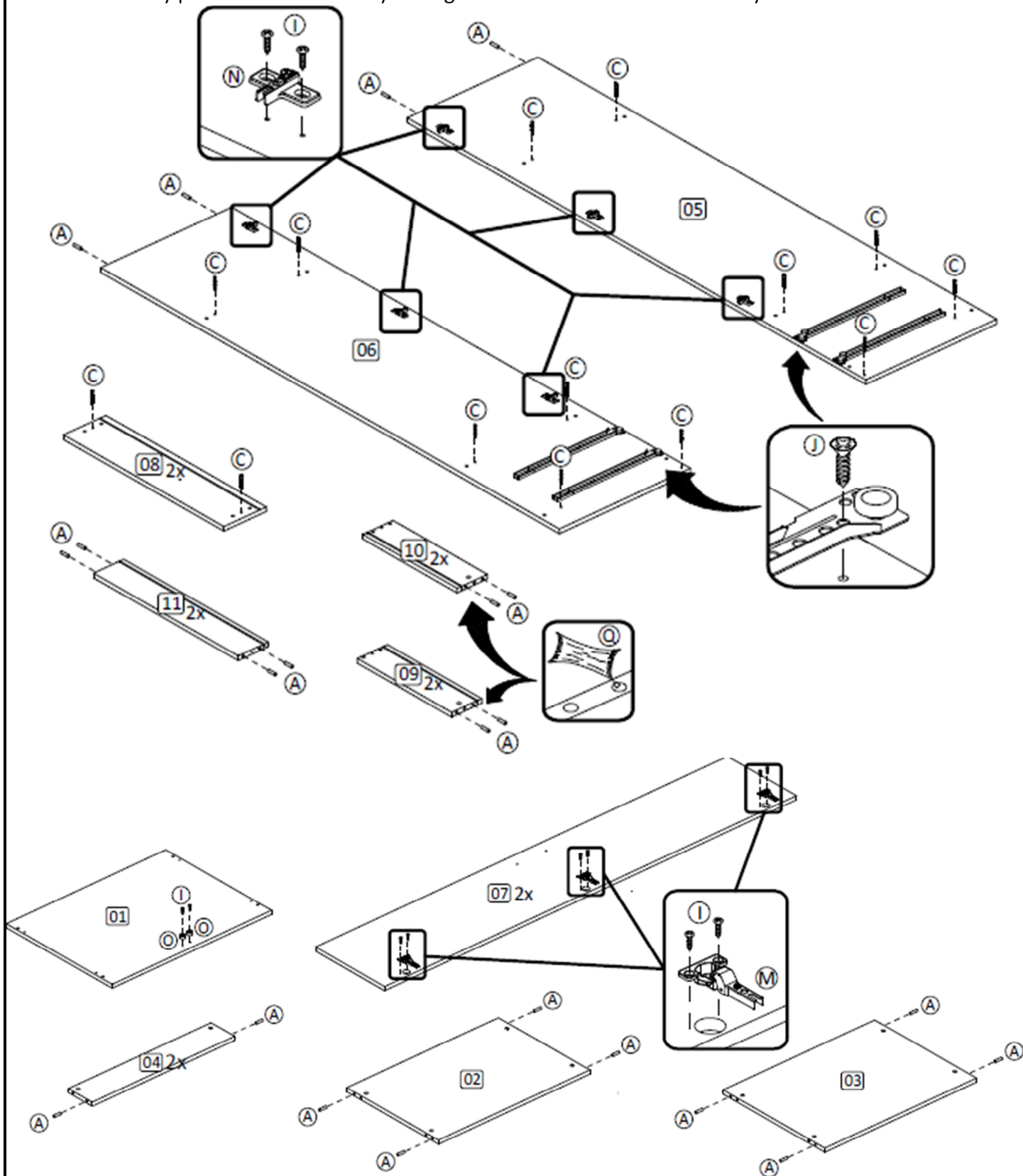




Parts List			Hardware List		
Part	Description	Qty	Part	Description	Qty
1	Top Panel	1	A	8 x 30 mm Wooden Dowel 	32
2	Shelf	1	C	Simple Minifix Screw 	16
3	Base Panel	1	D	Cam Lock 	16
4	Plinth	2	E	Plastic Cap 	8
5	Left Panel	1	F	4.5 x 45 mm Screw 	8
6	Right Panel	1	G	3.5 x 25 mm Screw 	8
7	Door	2	H	3 x 20 mm Screw 	4
8	Drawer Front	2	I	3.5 x 14 mm Screw 	26
9	Left Drawer Panel	2	J	3 x 14 mm Screw 	16
10	Right Drawer Panel	2	K	10 x 10 mm Tack 	60
11	Drawer Back	2	L	Small Plastic Foot 	5
12	Drawer Base	2	M	Hinge 	6
13	Back Panel	2	N	Hinge Bracket 	6
14	Spine	1	O	Door Stopper 	2
15	Hanging Rail	1	P	Rail Support 	2
16	Drawer Runners	2	Q	Glue 	1
17	Handle	4	R	Crayon 	3

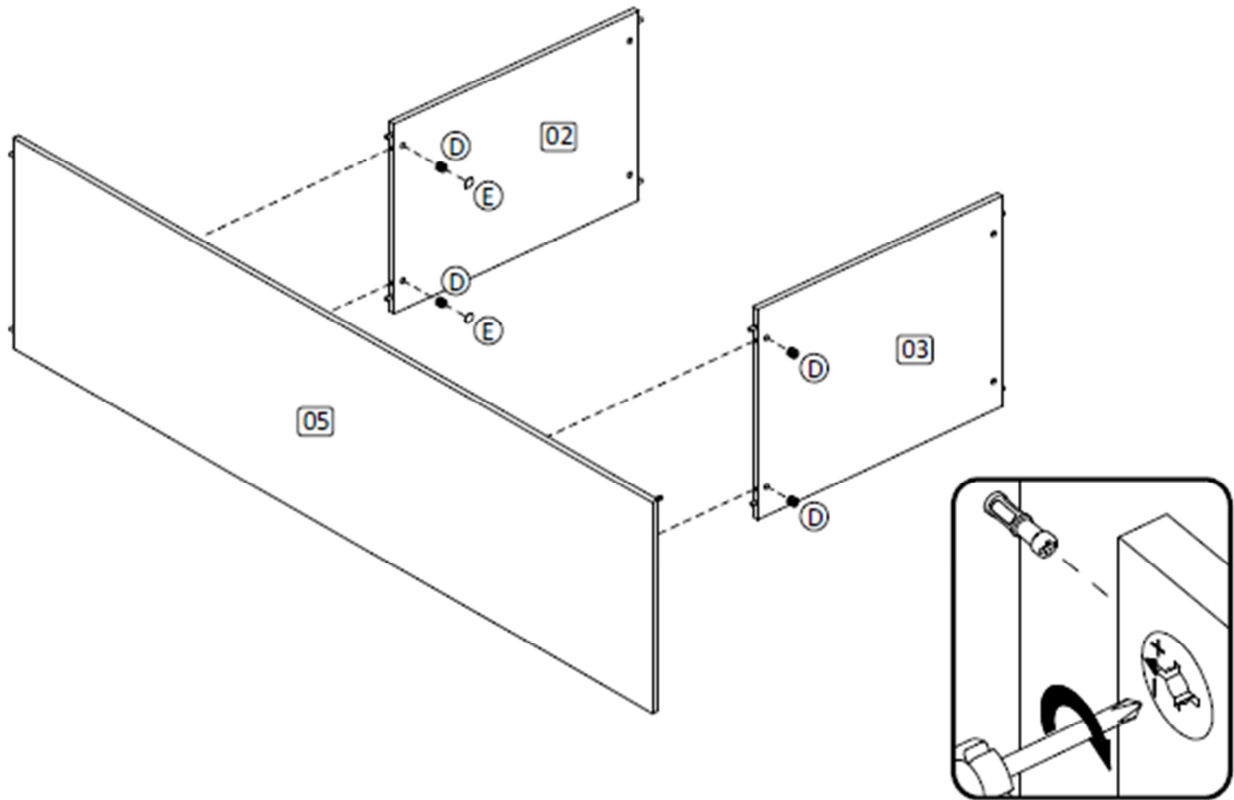
** You will need a small mallet and a screwdriver for assembly

Step 1: Prepare the parts for assembly using hardware parts A, C, I, J, M, N, O and Q.
DO NOT use any power tools as this may damage the frame and will invalidate any claim.



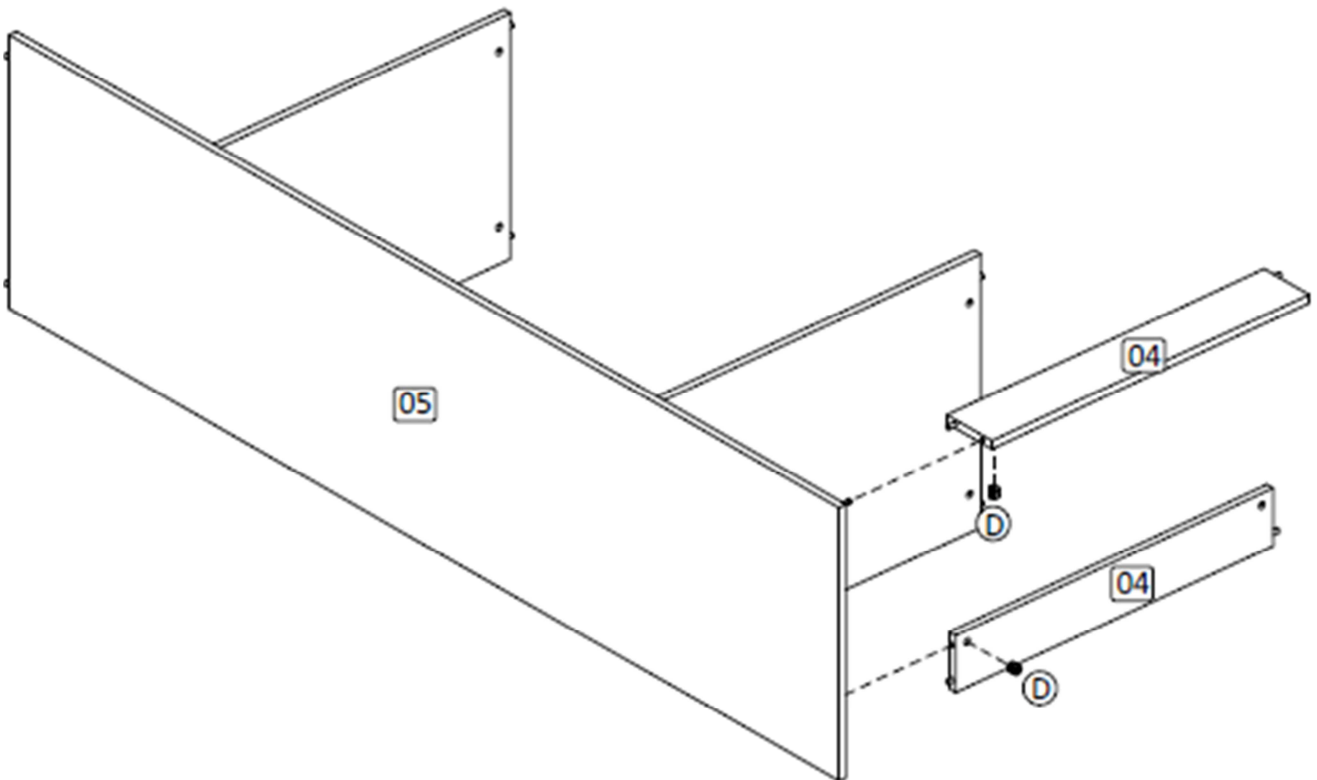
Step 2: Attach the left panel (5) to the shelf (2) and base panel (3) using hardware parts D and E with a screwdriver (not provided).

DO NOT use any power tools as this may damage the frame and will invalidate any claim.

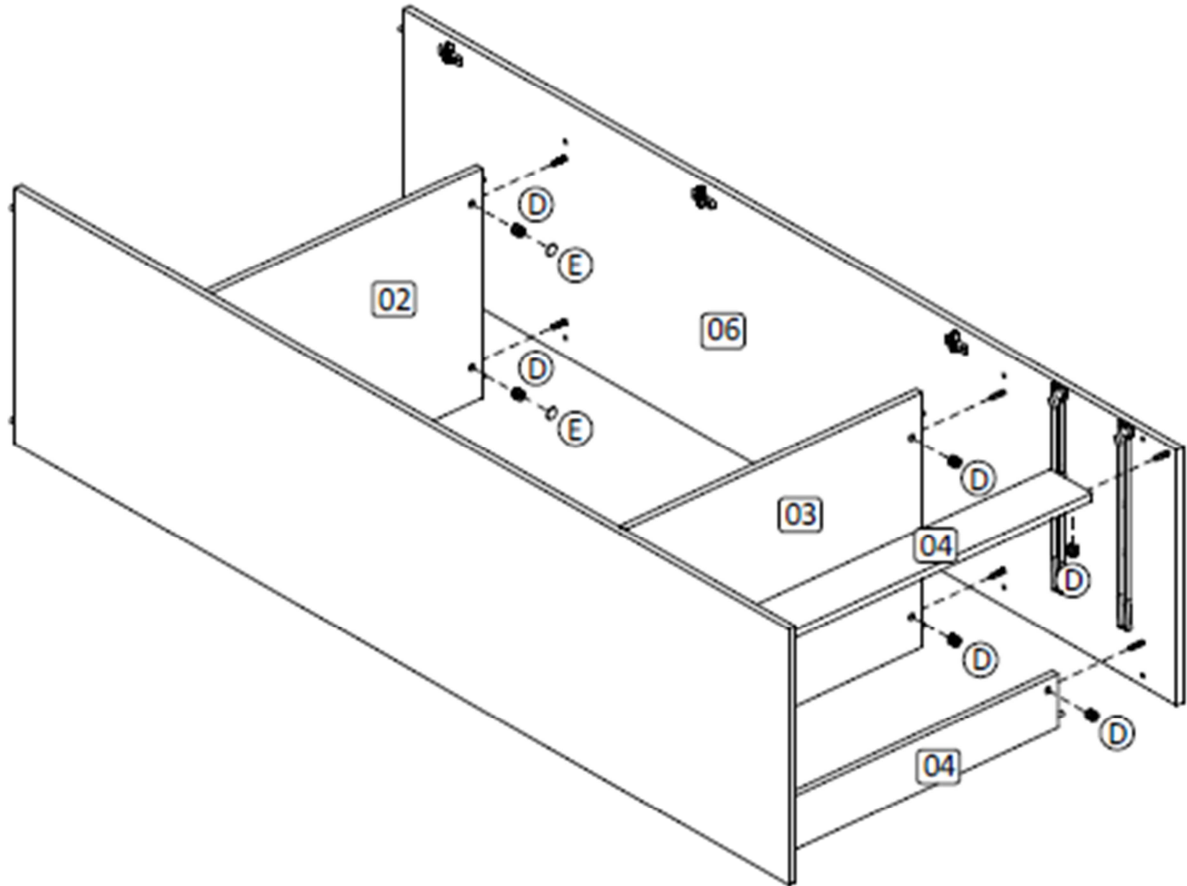


Step 3: Attach the plinths (4) using hardware part D and a screwdriver (not provided).

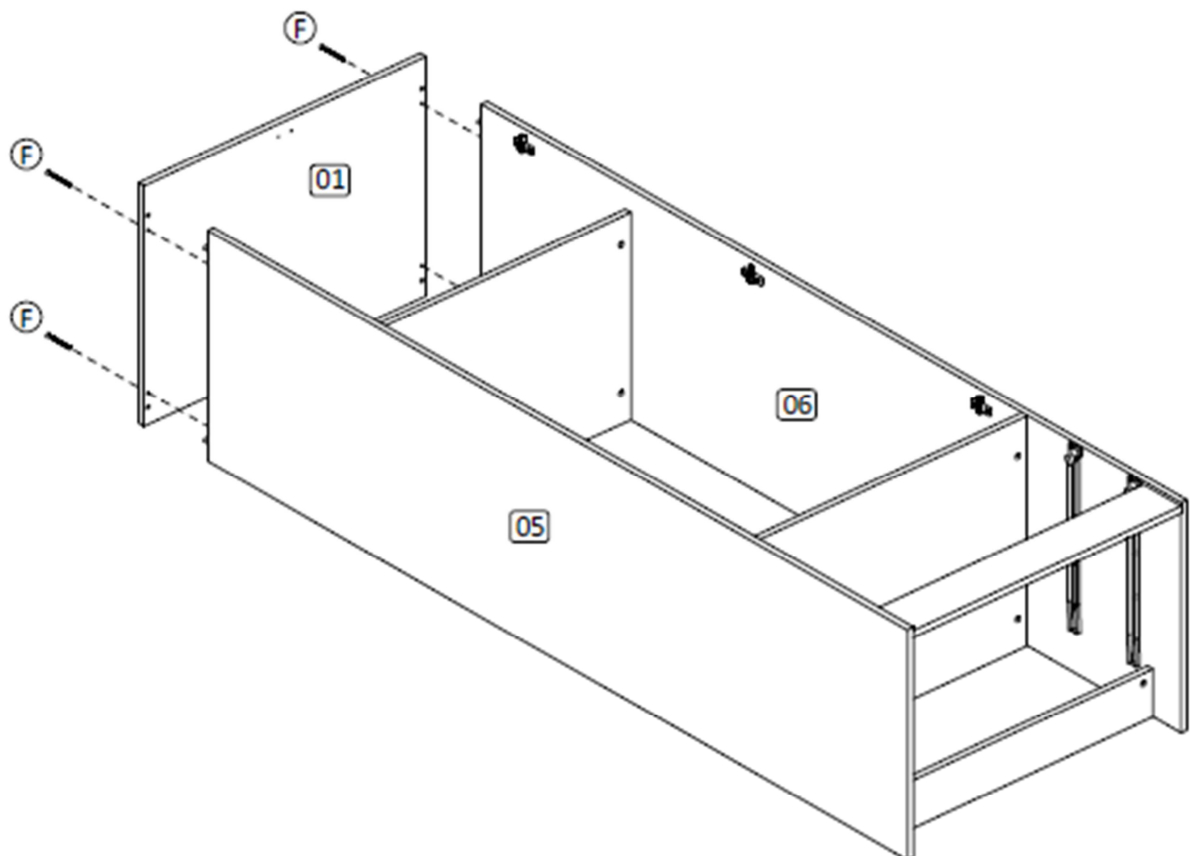
DO NOT use any power tools as this may damage the frame and will invalidate any claim.



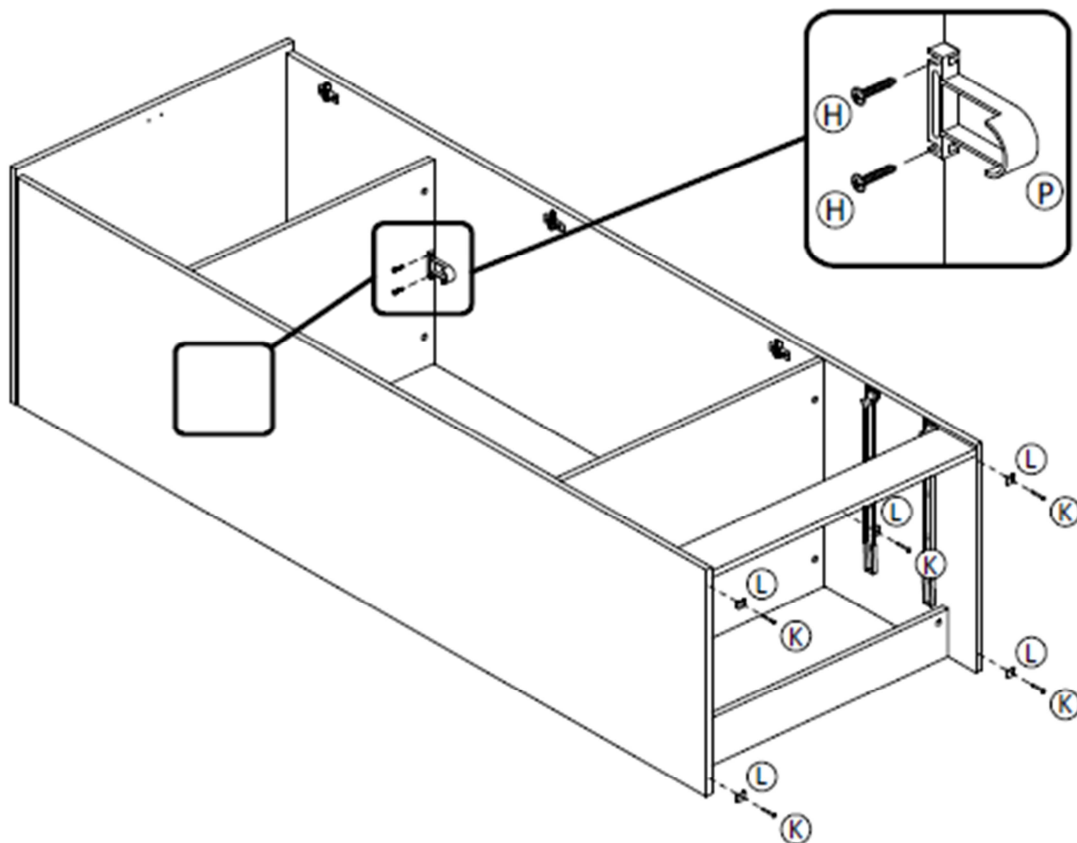
Step 4: Attach the right panel (6) using hardware parts D and E with a screwdriver (not provided). DO NOT use any power tools as this may damage the frame and will invalidate any claim.



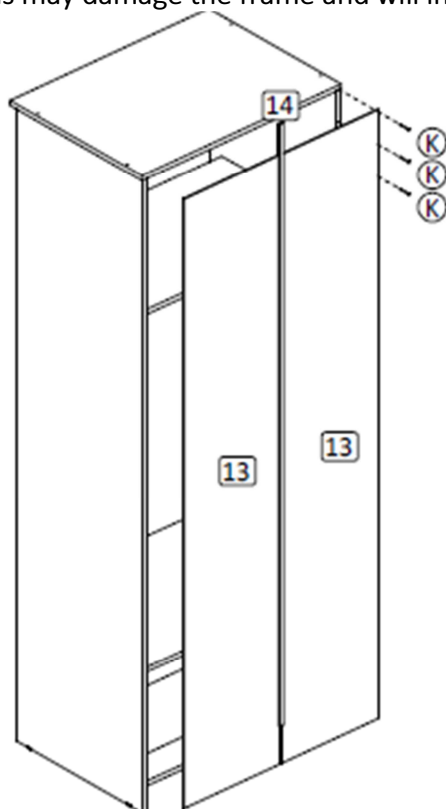
Step 5: Attach the top panel (1) using hardware part F and a screwdriver (not provided). DO NOT use any power tools as this may damage the frame and will invalidate any claim.



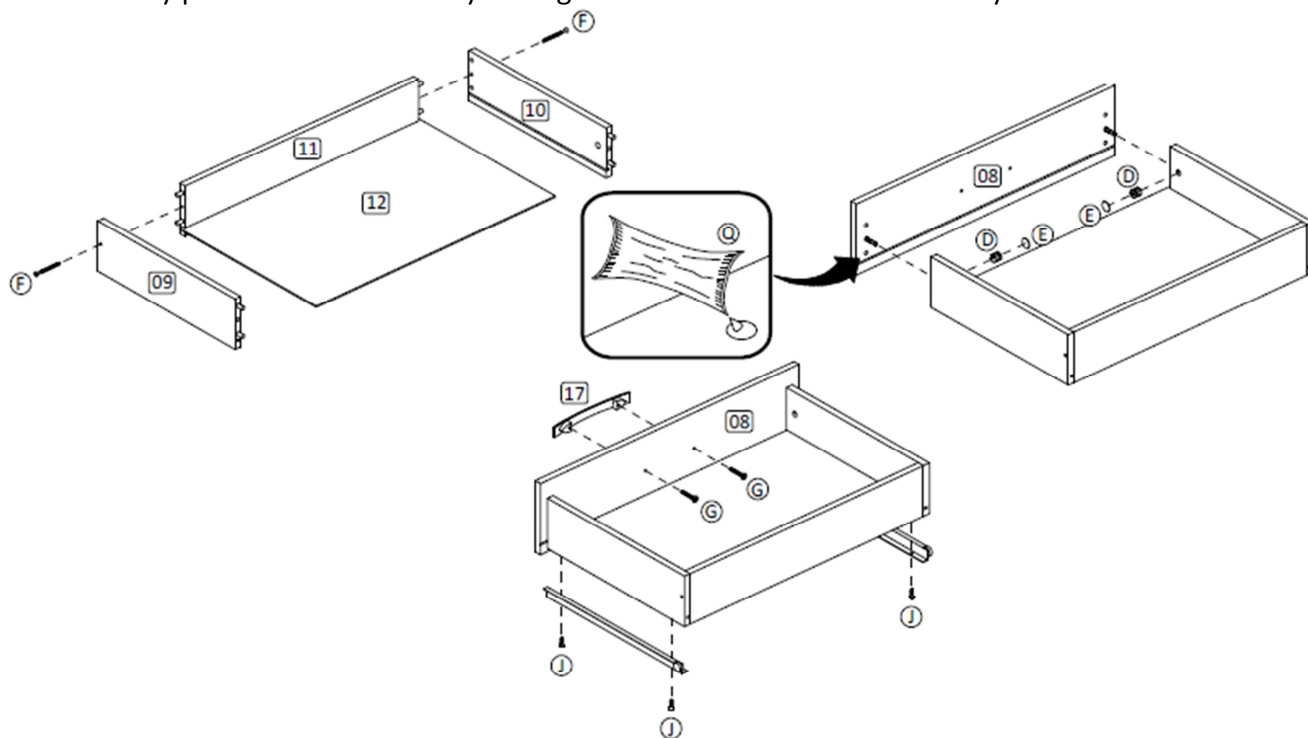
Step 6: Attach hardware part P to the side panels using hardware part H, then attach hardware part L to the base using hardware part K. You will need to use a small mallet and screwdriver (not provided). DO NOT use any power tools as this may damage the frame and will invalidate any claim.



Step 7: Connect the back panels (13) with the spine (14) and secure using hardware part K and a small mallet (not provided). DO NOT use any power tools as this may damage the frame and will invalidate any claim.



Step 8: Assemble the drawer components using hardware parts D, E, F, G, J and Q.
DO NOT use any power tools as this may damage the frame and will invalidate any claim.



Additional Information: