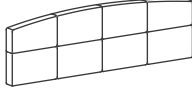
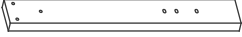
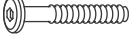
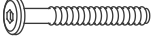




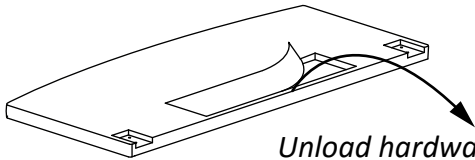


# UPHOLSTERY HEADBOARD

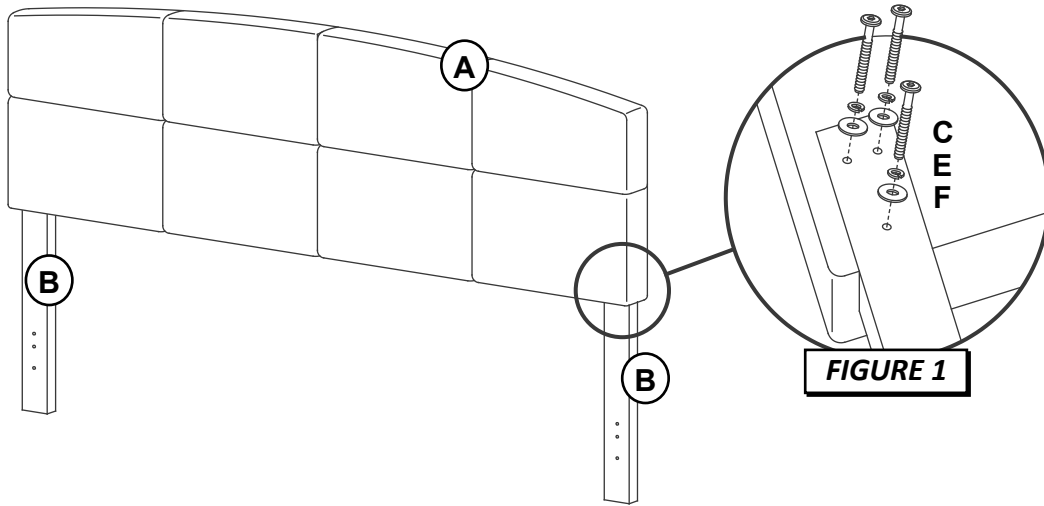
King Size

CODE	QTY	COMPONENTS	CODE	QTY	COMPONENTS
A	1	Headboard Panel 	B	2	Leg Extension 

CODE	QTY	HARDWARE
C	6	M6 x 40 Allen Bolts 
D	4	M6 x 50 Allen Bolts 
E	10	Spring Washers 
F	10	Flat Washers 
G	4	Hex Nuts 
H	1	Allen Wrench 



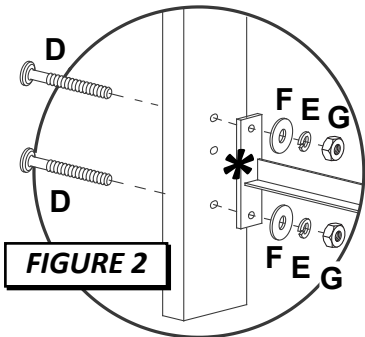
Unload hardware and legs from behind of headboard.



### STEP 1 - Figure 1

Begin by assembly each Leg Extension (B) to the back of the Headboard Panel (A) using 3 Allen Bolts (C), 3 Spring Washers (E) & 3 Flat Washers (F) per each side. Tighten all bolts using the Allen Wrench (H) that has been provided.

**\* Bed Frame Not Included As Shown.**



### STEP 2 - Figure 2

Next attach the bed frame (\*Not Included) to each Leg Extension (B) by using 2 Allen Bolts (D) from the back and 2 Flat Washers (F), 2 Spring Washers (E) and 2 Hex Nuts (G) from the front. Tighten all bolts.