

Dear Customer,

Thank you for purchasing one of our products. Our products are beautifully designed for style, functionality and flexibility as your child grows! All furniture is non-toxic, eco-friendly and made from 100% solid wood with no MDF or laminates which allows it to meet and surpass industry quality standards for sustainability and safety.

Our beds represent the core building block of our unique bedding system. Our products are unique because just like a child's Lego building blocks which allows you to add and subtract parts, our furniture line has optional parts such as slides, bunk bed kits, under bed storage drawers, trundles and many more parts that will allow you to transform the bed as your needs grow! We created this line so that our customers can add further functionality to the beds by creating interchangeable parts.

The Flexibility is what we are all about! We offer the best in sturdy, eco-friendly and healthy bedroom furniture for your growing child's needs!

Thank you again for purchasing our products,

"THINKING OUTSIDE OF THE BED"

POSSIBLE MODELS AND ITS ACCESSORIES									
Mission			Panel			Arch Spindle			
BASE BED									
1x		twin mission style low headboard	1x		twin panel low headboard	1x			arch spindle
1x		post for headboard	1x		post for headboard	1x			post for headboard
1x		rails for bed with center support	1x		rails for bed with center support	1x			rails for bed with center support
1x		wood slats for mattress foundation	1x		wood slats for mattress foundation	1x			wood slats for mattress foundation
BASE DAYBED									
1x		twin mission style low headboard	1x		twin panel low headboard	1x			arch spindle
1x		post for headboard	1x		post for headboard	1x			post for headboard
1x		rails for bed with center support	1x		rails for bed with center support	1x			rails for bed with center support
1x		full length guard rails	1x		full length guard rails	1x			full length guard rails
1x		wood slats for mattress foundation	1x		wood slats for mattress foundation	1x			wood slats for mattress foundation
BASE DAYBED WITH FRONT GUARD RAIL									
1x		twin mission style low headboard	1x		twin panel low headboard	1x			arch spindle
1x		post for headboard	1x		post for headboard	1x			post for headboard
1x		rails for bed with center support	1x		rails for bed with center support	1x			rails for bed with center support
1x		full length guard rails	1x		full length guard rails	1x			full length guard rails
1x		short length guard rails	1x		short length guard rails	1x			short length guard rails
1x		wood slats for mattress foundation	1x		wood slats for mattress foundation	1x			wood slats for mattress foundation
LOW LOFT BED									
1x		twin mission style low headboard	1x		twin panel low headboard	1x			arch spindle
1x		post for headboard	1x		post for headboard	1x			post for headboard
1x		rails for bed with center support	1x		rails for bed with center support	1x			rails for bed with center support
1x		full length guard rails	1x		full length guard rails	1x			full length guard rails
1x		mid height loft bed kit	1x		mid height loft bed kit	1x			mid height loft bed kit
1x		angle ladder for mid height loft bed	1x		angle ladder for mid height loft bed	1x			angle ladder for mid height loft bed
1x		3/4 long guard rails	1x		3/4 long guard rails	1x			3/4 long guard rails
1x		wood slats for mattress foundation	1x		wood slats for mattress foundation	1x			wood slats for mattress foundation
LOW BUNK BED									
2x		twin mission style low headboard	2x		twin panel low headboard	2x			arch spindle
2x		post for headboard	2x		post for headboard	2x			post for headboard
2x		rails for bed with center support	2x		rails for bed with center support	2x			rails for bed with center support
1x		full length guard rails	1x		full length guard rails	1x			full length guard rails
1x		3/4 long guard rails	1x		3/4 long guard rails	1x			3/4 long guard rails
1x		angle ladder for bunk bed 60"	1x		angle ladder for bunk bed 60"	1x			angle ladder for bunk bed 60"
2x		wood slats for mattress foundation	2x		wood slats for mattress foundation	2x			wood slats for mattress foundation
2x		twin mission style low headboard	E4031/2/3	2x	twin panel low headboard	2x			arch spindle
2x		post for headboard	E4121/2/3	2x	post for headboard	2x			post for headboard
2x		rails for bed with center support	E4221/2/3	2x	rails for bed with center support	2x			rails for bed with center support
1x		full length guard rails	E4411/2/3	1x	full length guard rails	1x			full length guard rails
1x		3/4 long guard rails	E4311/2/3	1x	3/4 long guard rails	1x			3/4 long guard rails
1x		attached ladder for bunk bed 60"	E7301/2/3	1x	attached ladder for bunk bed 60"	1x			attached ladder for bunk bed 60"
2x		wood slats for mattress foundation	E4510	2x	wood slats for mattress foundation	2x			wood slats for mattress foundation

BUNK BED

1x	twin mission style low headboard	1x	twin panel low headboard
1x	post for headboard	1x	post for headboard
2x	rails for bed with center support	2x	rails for bed with center support
1x	tall headboard mission style	1x	tall headboard panel headboard
1x	posts for headboard	1x	posts for headboard
1x	full length guard rails	1x	full length guard rails
1x	3/4 long guard rails	1x	3/4 long guard rails
1x	angle ladder for bunk bed	1x	angle ladder for bunk bed
2x	wood slats for mattress foundation	2x	wood slats for mattress foundation
1x	twin mission style low headboard	1x	twin panel low headboard
1x	post for headboard	1x	post for headboard
2x	rails for bed with center support	2x	rails for bed with center support
1x	tall headboard mission style	1x	tall headboard panel headboard
1x	posts for headboard	1x	posts for headboard
1x	full length guard rails	1x	full length guard rails
1x	3/4 long guard rails	1x	3/4 long guard rails
1x	attached ladder for bunk bed	1x	attached ladder for bunk bed
2x	wood slats for mattress foundation	2x	wood slats for mattress foundation

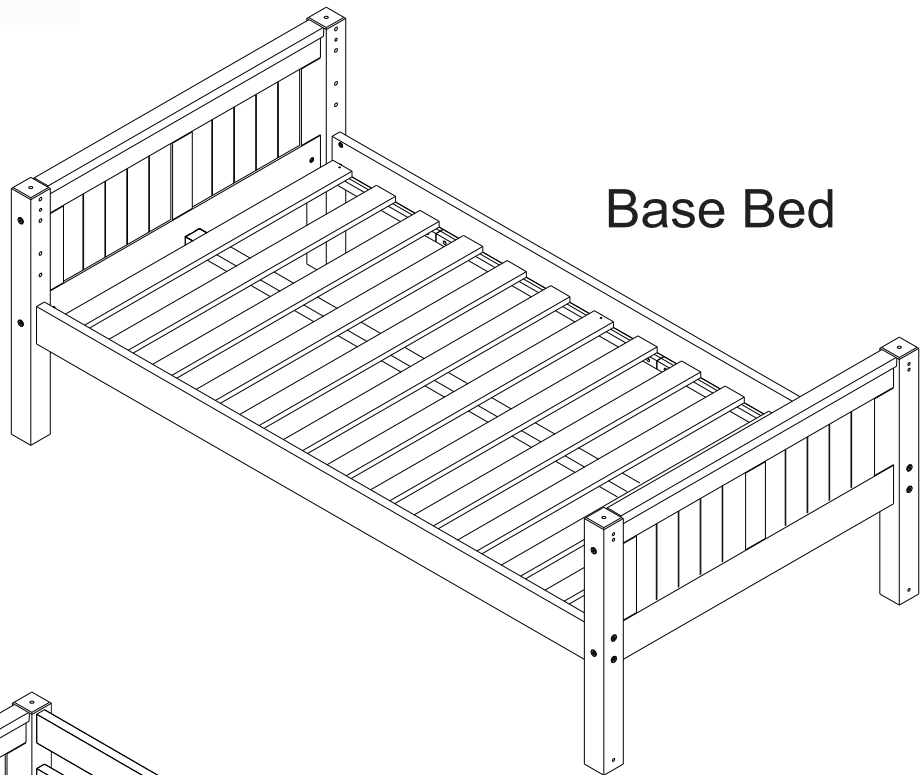
HIGH LOFT BED

1x	twin mission style low headboard	1x	twin panel low headboard	1x	arch spindle
1x	post for headboard	1x	post for headboard	1x	post for headboard
1x	rails for bed with center support	1x	rails for bed with center support	1x	rails for bed with center support
2x	full length guard rails	2x	full length guard rails	2x	full length guard rails
1x	3/4 long guard rails	1x	3/4 long guard rails	1x	3/4 long guard rails
1x	ladder for high loft bed	1x	ladder for high loft bed	1x	ladder for high loft bed
1x	high loft bed kit	1x	high loft bed kit	1x	high loft bed kit
1x	wood slats for mattress foundation	1x	wood slats for mattress foundation	1x	wood slats for mattress foundation

ACCESSORIES

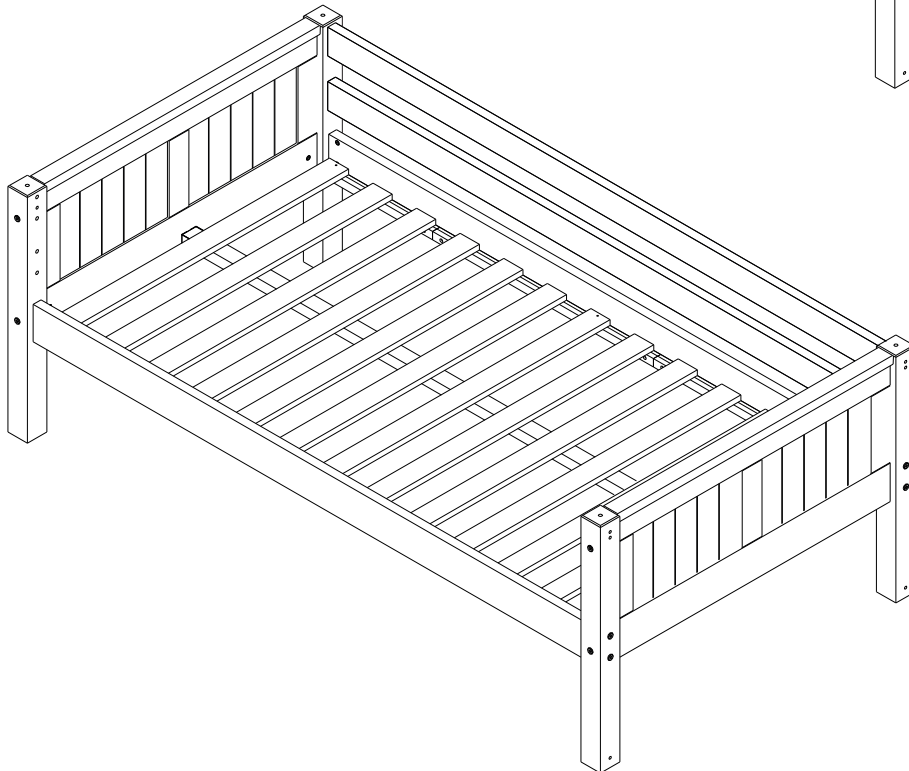
LOW LOFT BED WITH SLIDE		UNDER BED TRUNDLE	
1x	slide for mid height loft bed	1x	trundle
LOW LOFT BED WITH RETRACTABLE DESK			
1x	bookcase desk for mid or high loft bed		
HIGH LOFT BED WITH DESK		UNDER BED DRAWERS	
1x	long desk for high loft bed	1x	two drawers

BASE BED TWIN



Base Bed

Base DayBed



ATTENTION

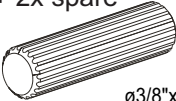
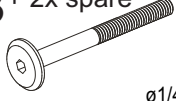



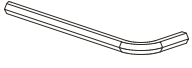
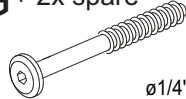

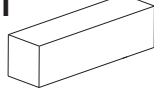
- 1 - Read and observe carefully all the assembly instructions before beginning assembly.
- 2 - The assembly of the product must be done on a clean and flat surface. We suggest to use the packaging to cover the floor to avoid damages.
- 3 - The screws must be tightened periodically.
- 4 - Avoid contact with sharp objects.
- 5 - Avoid banging pieces together.



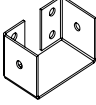

Parts and hardware list for ASSEMBLY BASE BED.

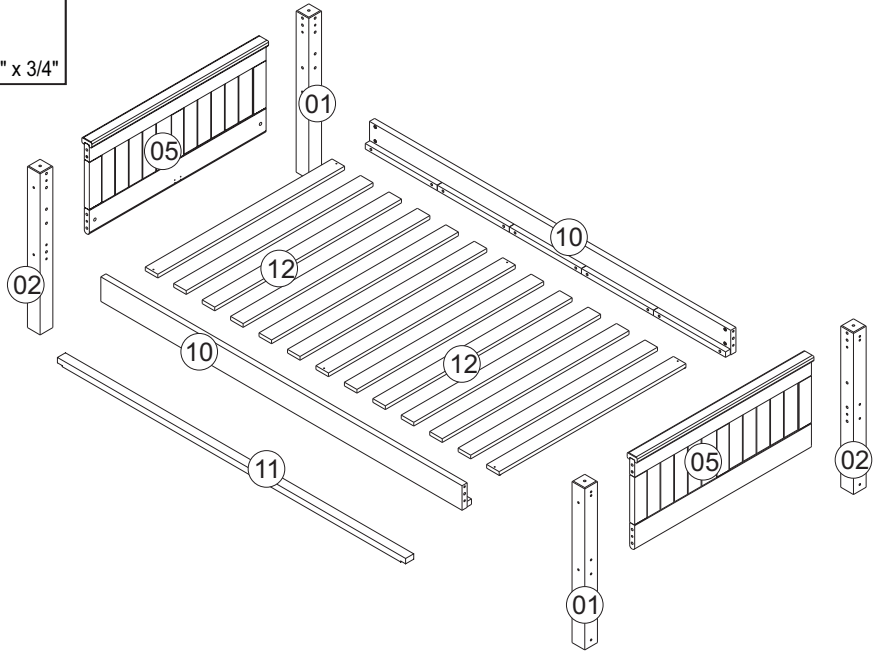
The hardware is located in several part cartons as indicated below:

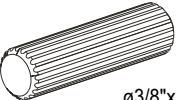
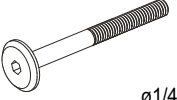



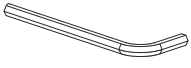
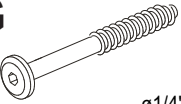

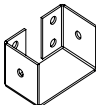
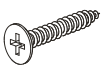
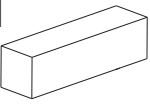
Hardware - Carton

A + 2x spare 16x  ø3/8"x1 9/16"	B + 2x spare 12x  ø1/4"x4 1/4"	C + 2x spare 12x  ø1/4"x5/8"	D 16x  ø5/16"	E 20x  ø3/8"
F + 2x spare 01x 	G + 2x spare 04x  ø1/4"x3 7/8"	I + 2x spare 28x  ø1/8"x1 3/8"	BH 02x  2 3/4"	

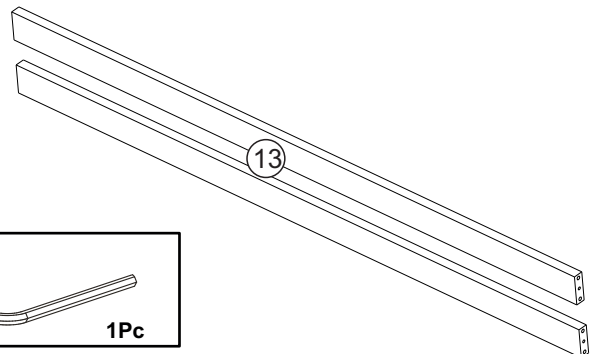
Hardware - Carton

J 02x 	M + 2x spare 12x  ø1/8" x 3/4"
--	---




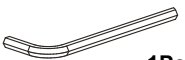


A 16x  ø3/8"x1 9/16"	B 12x  ø1/4"x4 1/4"	C 12x  ø1/4"x5/8"	D 16x  ø5/16"
E 20x  ø3/8"	F 01x 	G 04x  ø1/4"x3 7/8"	I 28x  ø1/8"x1 3/8"
J 02x 	M 12x  ø1/8" x 3/4"	BH 02x  2 3/4"	

DayBed add 2x Rear Guard Rails + Hardware as indicated below:

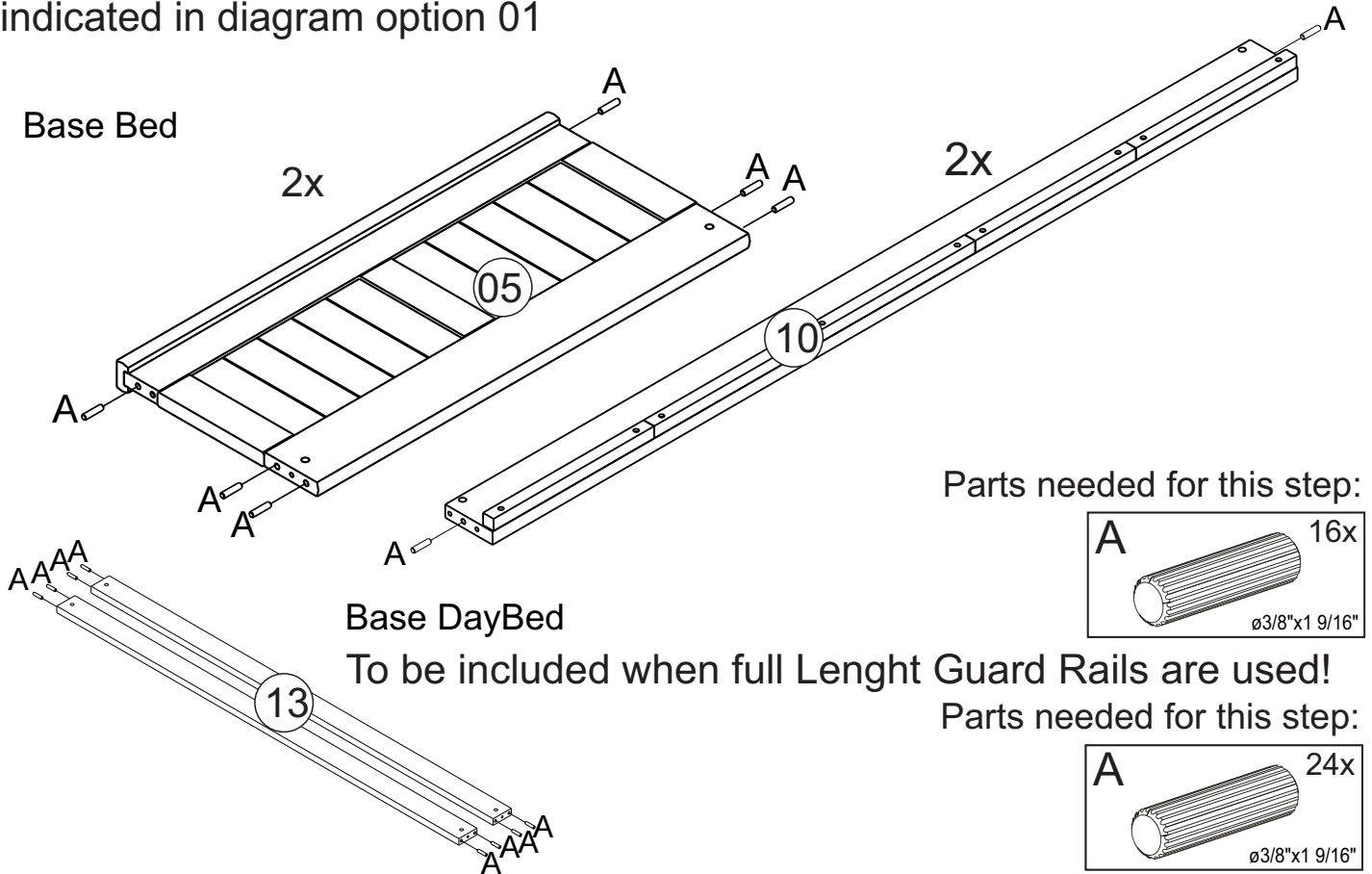


Hardware Carton

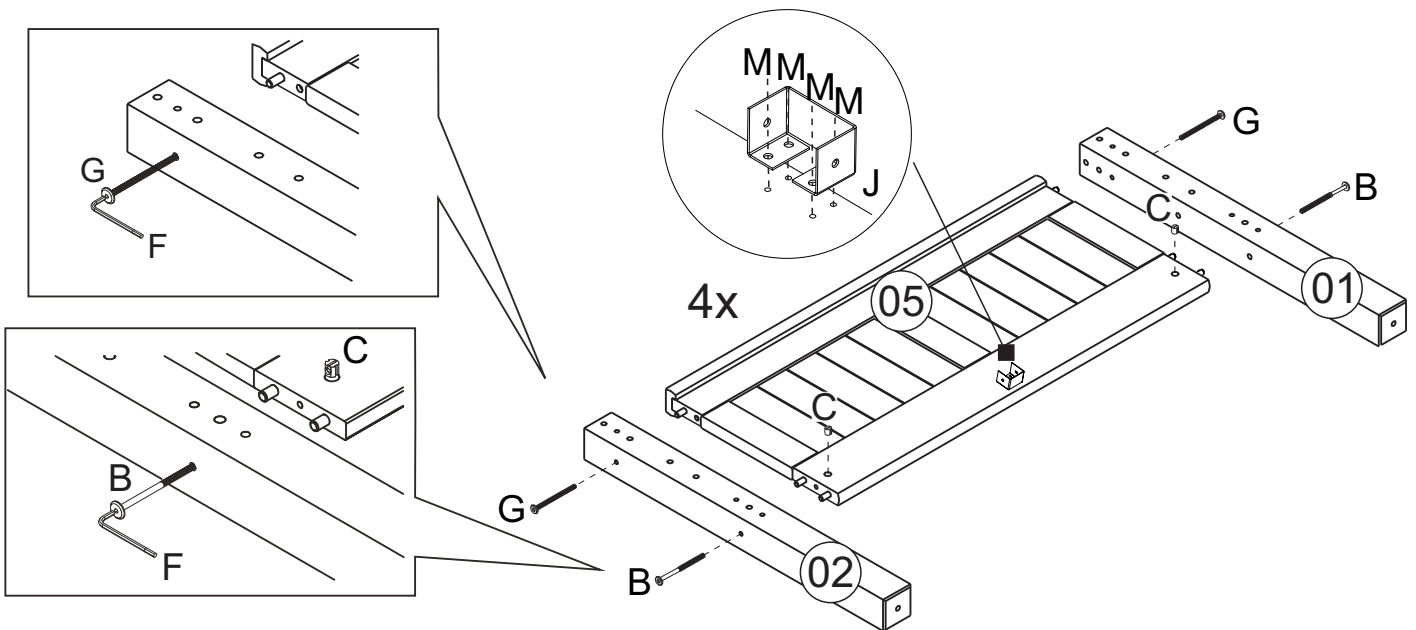
A 8Pc  ø3/8" x 1 9/16"	B 2Pc  ø1/4" x 4 1/4"	C 2Pc  ø1/4" x 5/8"	F 1Pc 
---	--	--	---

ASSEMBLY INSTRUCTIONS

Step 01 - Place Wood dowels into head board panels and bed rails, indicated in diagram option 01



Step 02 - Attach panel head board to bed posts (left and right sides).

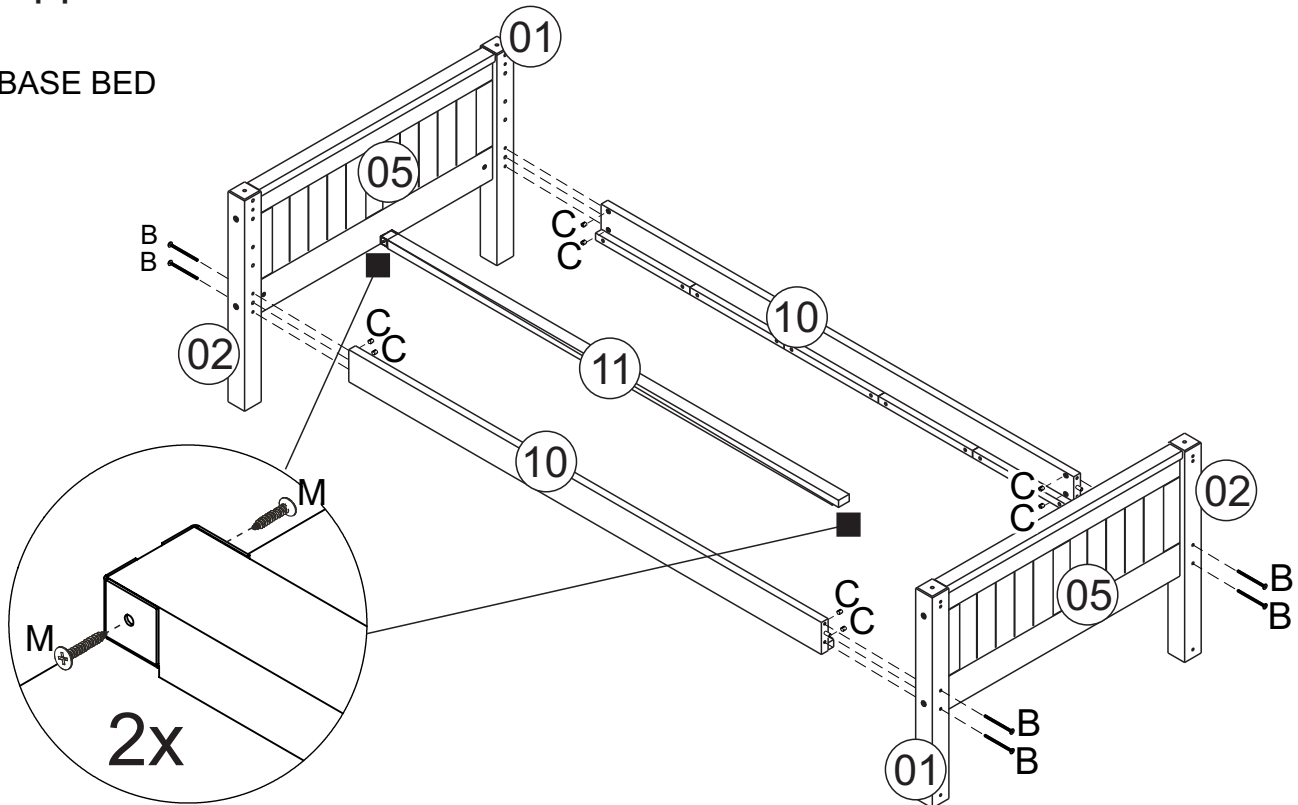


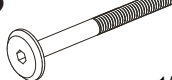


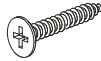
Fasten metal center support brackets in lower center of head board as indicated.

<p>B 04x $\varnothing 1/4" \times 4 1/4"$</p>	<p>C 04x $\varnothing 1/4" \times 5/8"$</p>	<p>J 02x</p>	<p>M 08x $\varnothing 1/8" \times 3/4"$</p>
		<p>F 01x</p>	<p>G 04x $\varnothing 1/4" \times 3 7/8"$</p>

Step 03 - Fasten bed rails to head board posts. Place wood center support into metal brackets - and attach with screws as shown.

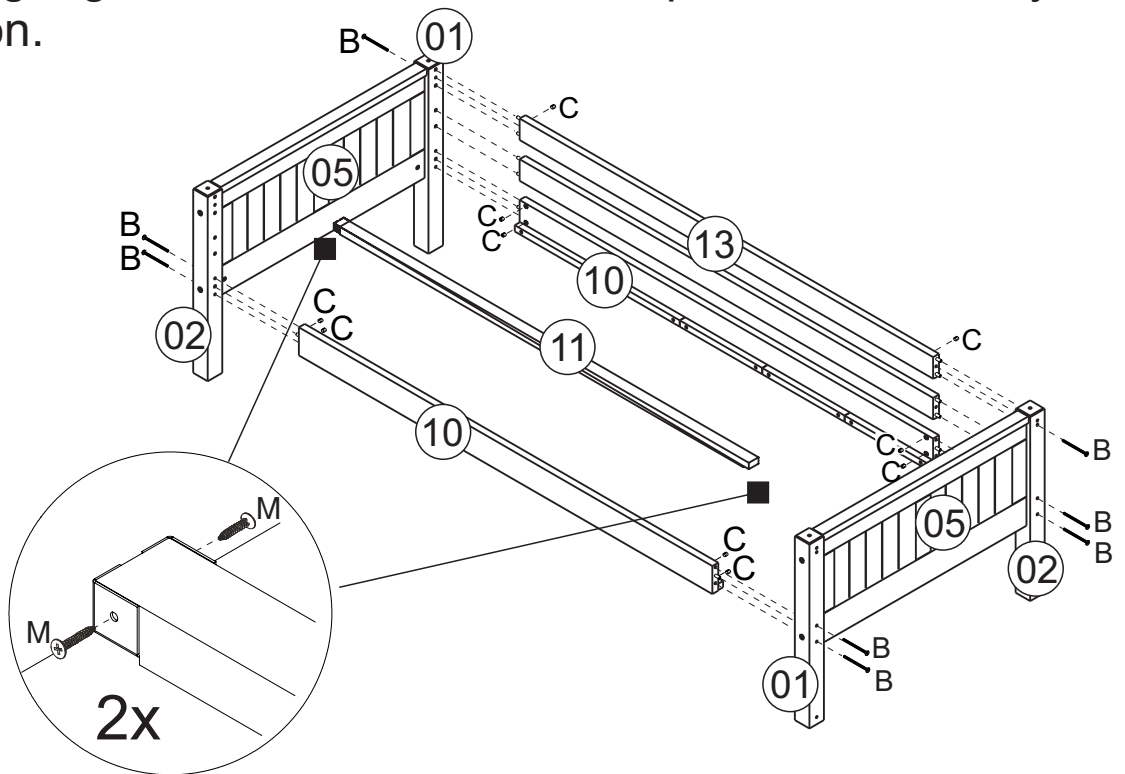
BASE BED

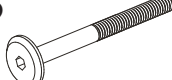


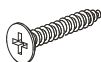


B		08x	C		08x	F		01x	M		04x
		$\varnothing 1/4" \times 4 1/4"$			$\varnothing 1/4" \times 5/8"$						$\varnothing 1/8" \times 3/4"$

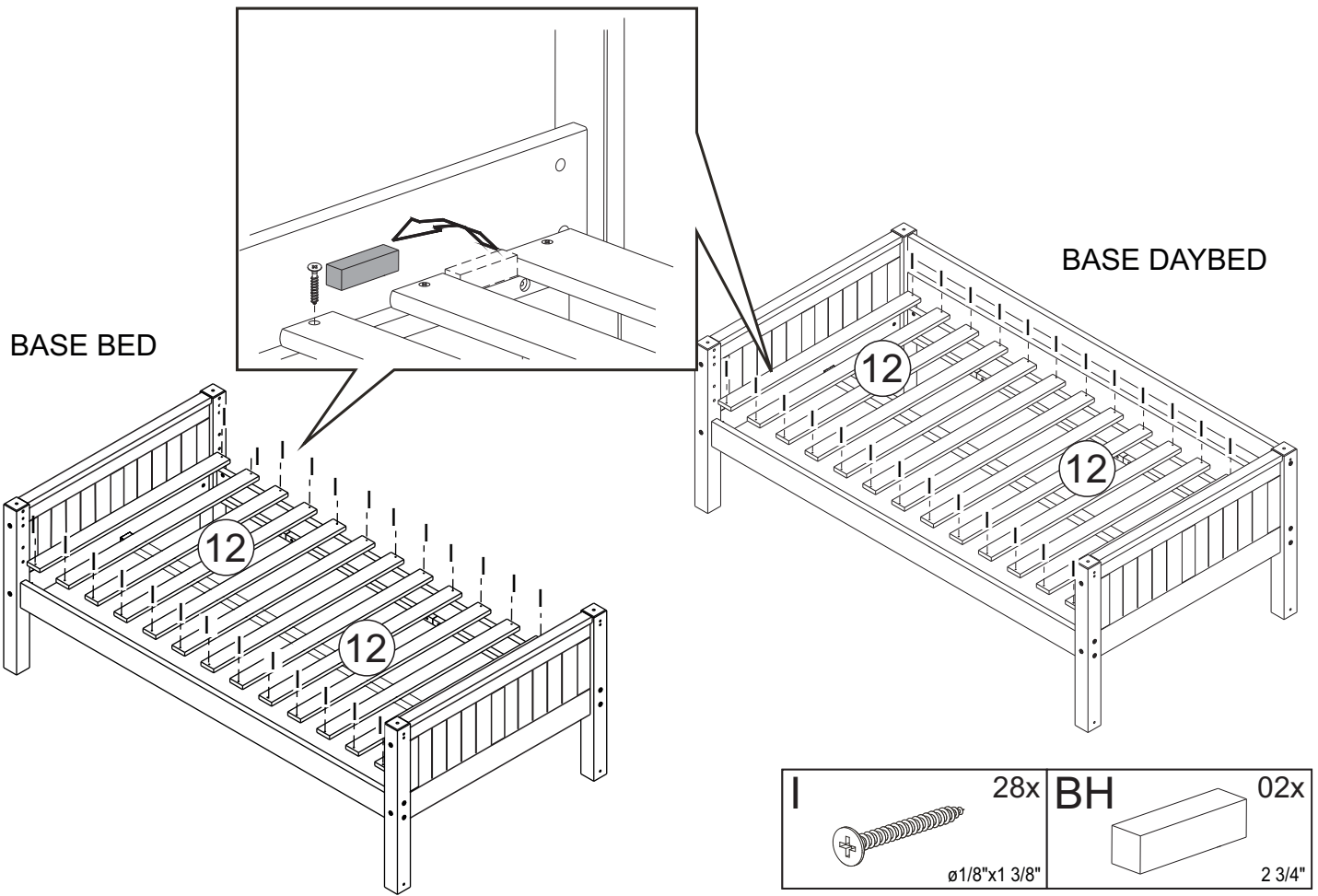
Attach full length guard rails as shown if bed purchased as DayBed with this option.

BASE DAYBED



B		10x	C		10x	F		01x	M		04x
		$\varnothing 1/4" \times 4 1/4"$			$\varnothing 1/4" \times 5/8"$						$\varnothing 1/8" \times 3/4"$

Step 04 - Attach slat roll foundation to bed rails as indicated.



BASE BED

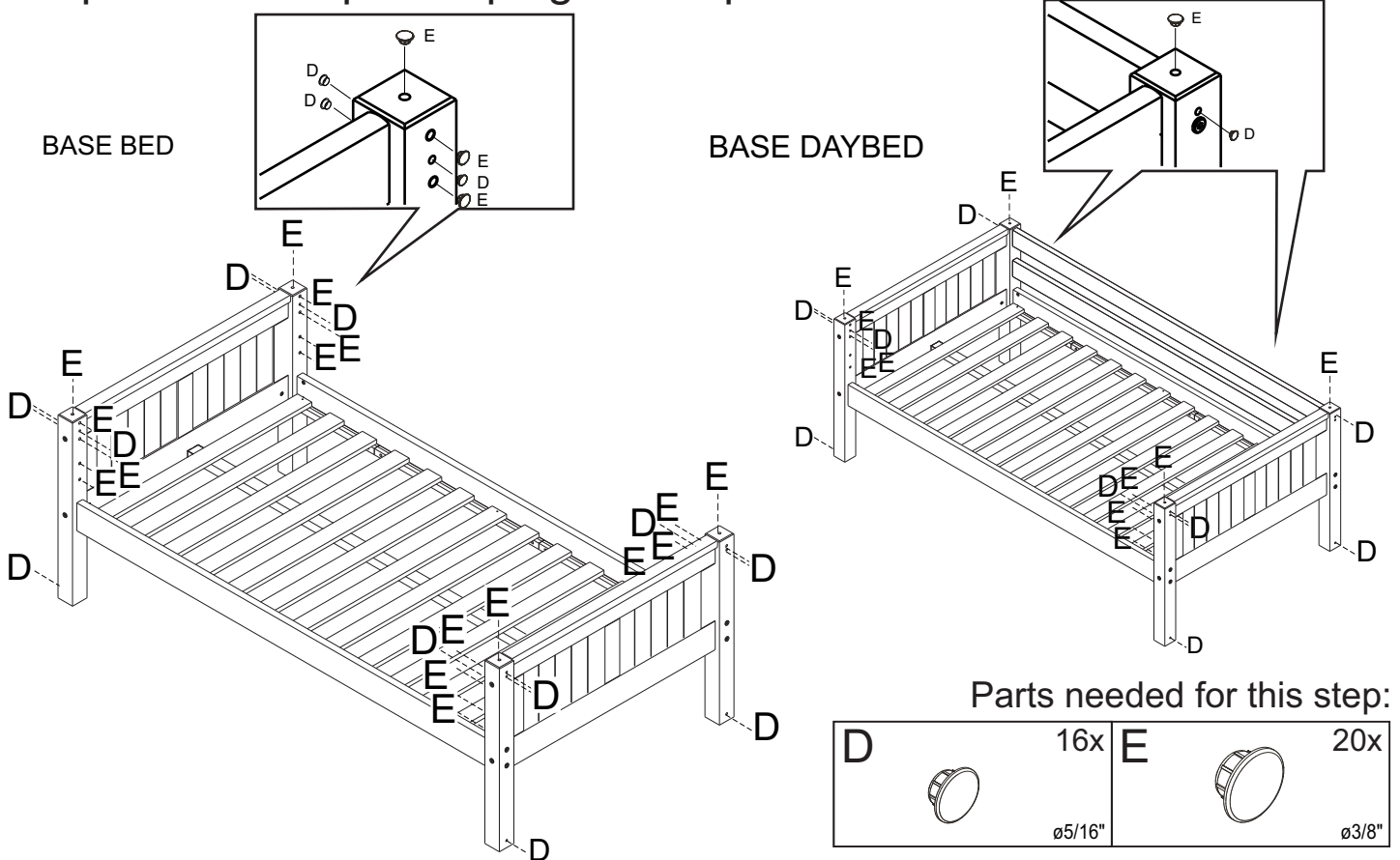
BASE DAYBED

12

12

I	28x	BH	02x
	$\phi 1/8'' \times 1 3/8''$		2 3/4"



Step 05 - Place plastic plugs into open screw holes.



BASE BED

BASE DAYBED

Parts needed for this step:

D	16x	E	20x
	$\phi 5/16''$		$\phi 3/8''$

Your bed is now ready for use as is or to be added to other bed configurations, such as Loft Bed, Bunk Bed, etc.