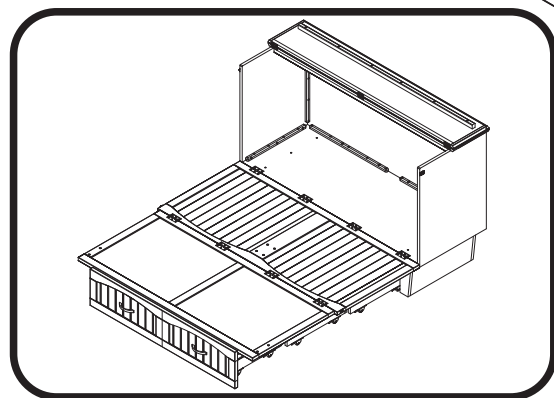
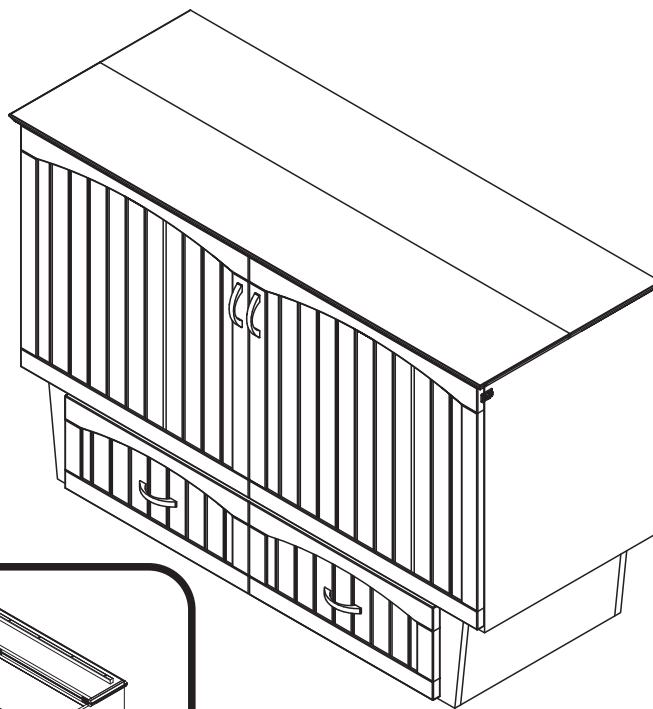


QUEEN

ASSEMBLY INSTRUCTIONS

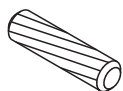
Before assembling your nantucket murphy bed, please read through these instructions carefully. Familiarize yourself with the different parts. Please note that you will require a Phillips head screwdriver (customer supplied).

ATTENTION! If you receive a damaged or defective item, please contact Atlantic Furniture at service@atlanticfurniture.com or 1-800-955-3726 / M-F 9:00-5:00 EST

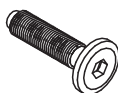


HARDWARE

NOTE: WE INCLUDE SPARE HARDWARE IN CASE THE WOOD DOWEL, JCB, WOOD SCREW, METAL PULL SCREW OR ALLEN WRENCH ARE DAMAGED DURING ASSEMBLY.



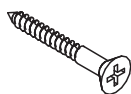
A Wood dowel - 10 pcs
Spare - 1 pc



B JCB M6 X 25mm - 10 pcs
Spare - 1 pc



C Wood screw 5/8" - 12 pcs
Spare - 1 pc



D Wood screw 1" - 18 pcs
Spare - 1 pc



E Metal pull - 6 pcs



F Metal pull screw 20mm - 8 pcs
Spare - 1 pc

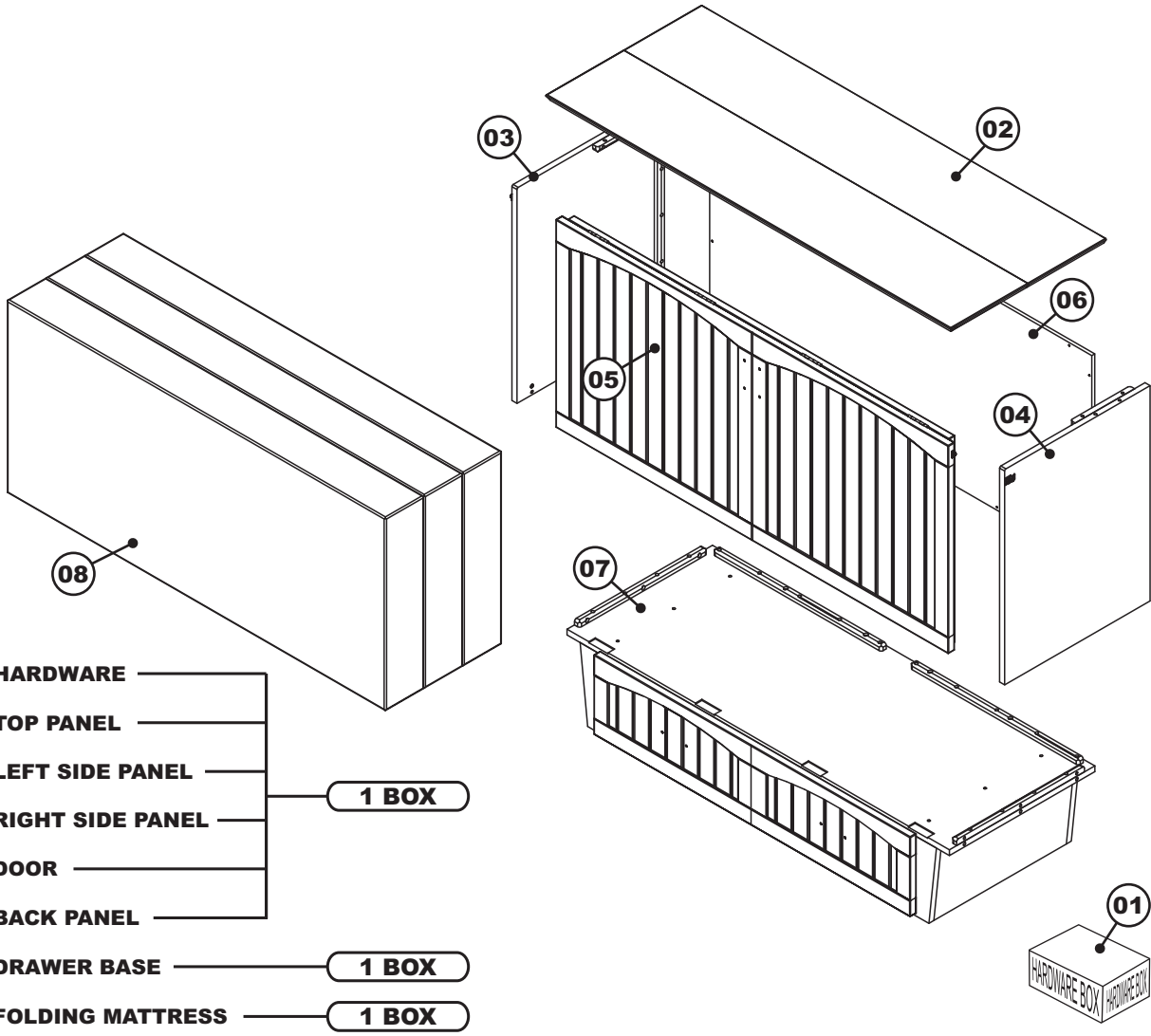


G Metal pull screw 40mm - 4 pcs
Spare - 1 pc



H Allen wrench - 1 pc
Spare - 1 pc

PARTS LIST

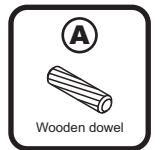
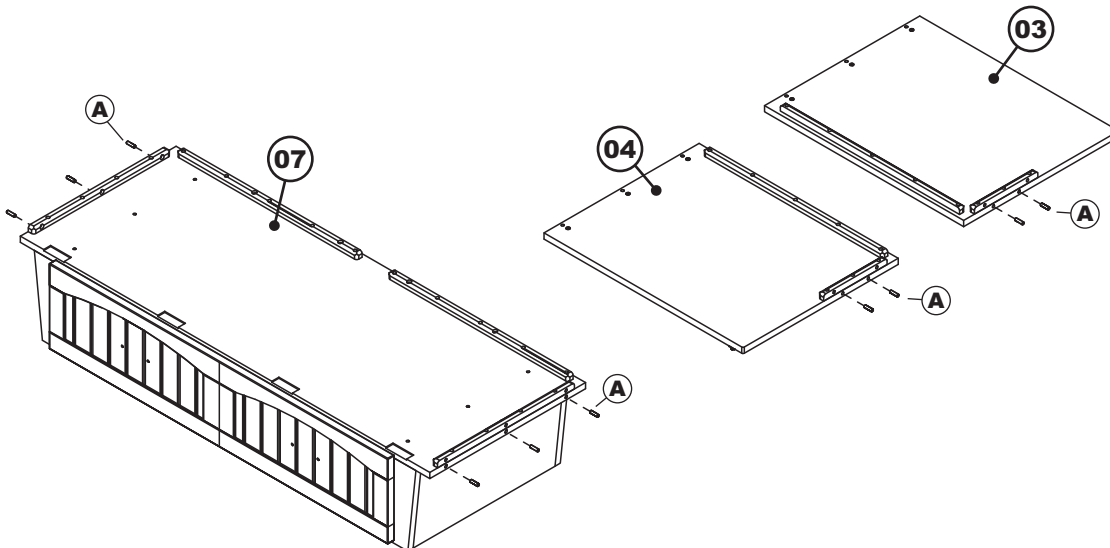


- 01** HARDWARE ————— **1 BOX**
- 02** TOP PANEL ————— **1 BOX**
- 03** LEFT SIDE PANEL ————— **1 BOX**
- 04** RIGHT SIDE PANEL ————— **1 BOX**
- 05** DOOR ————— **1 BOX**
- 06** BACK PANEL ————— **1 BOX**
- 07** DRAWER BASE ————— **1 BOX**
- 08** FOLDING MATTRESS ————— **1 BOX**



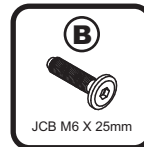
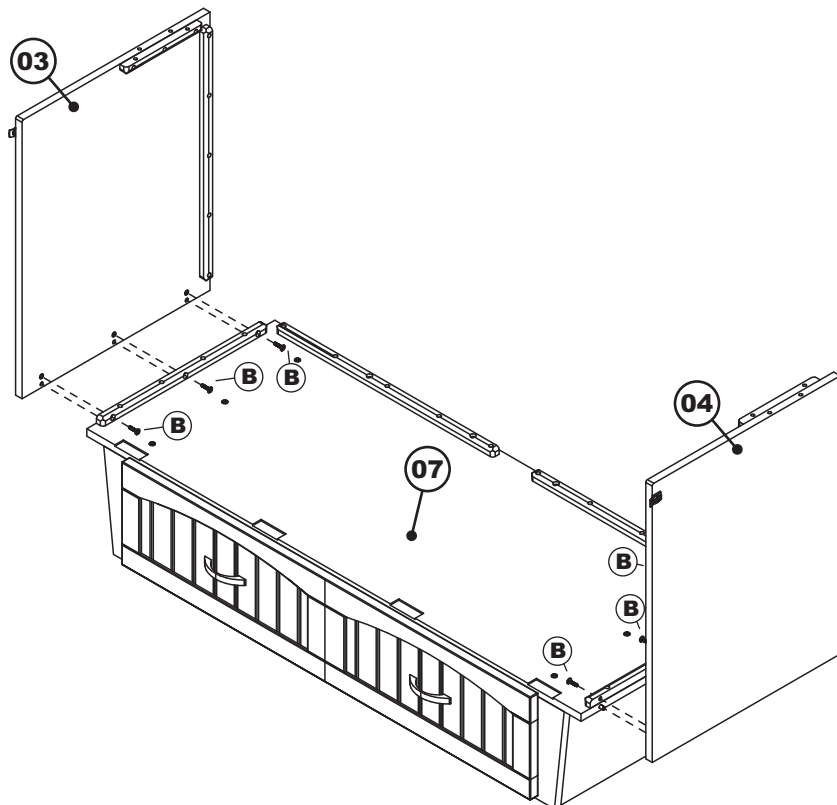
STEP 1

Insert all wood dowels (A) into the locator holes on (03)(04) and (07) as shown below.



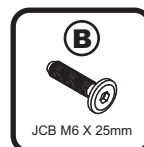
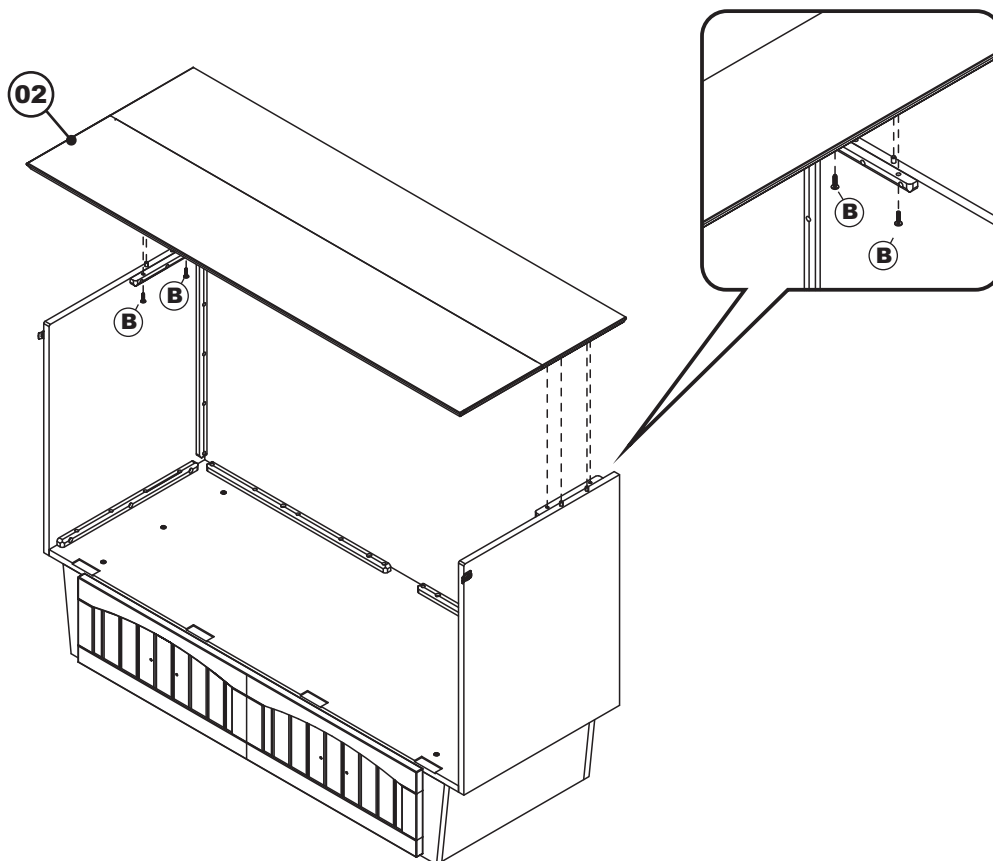
STEP 2

Attach left and right side panels (03)(04) to the drawer base (07) as shown below. Using JCB (B) tighten with Allen wrench (H)



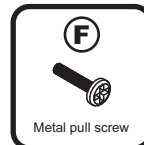
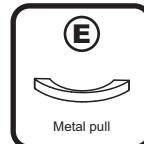
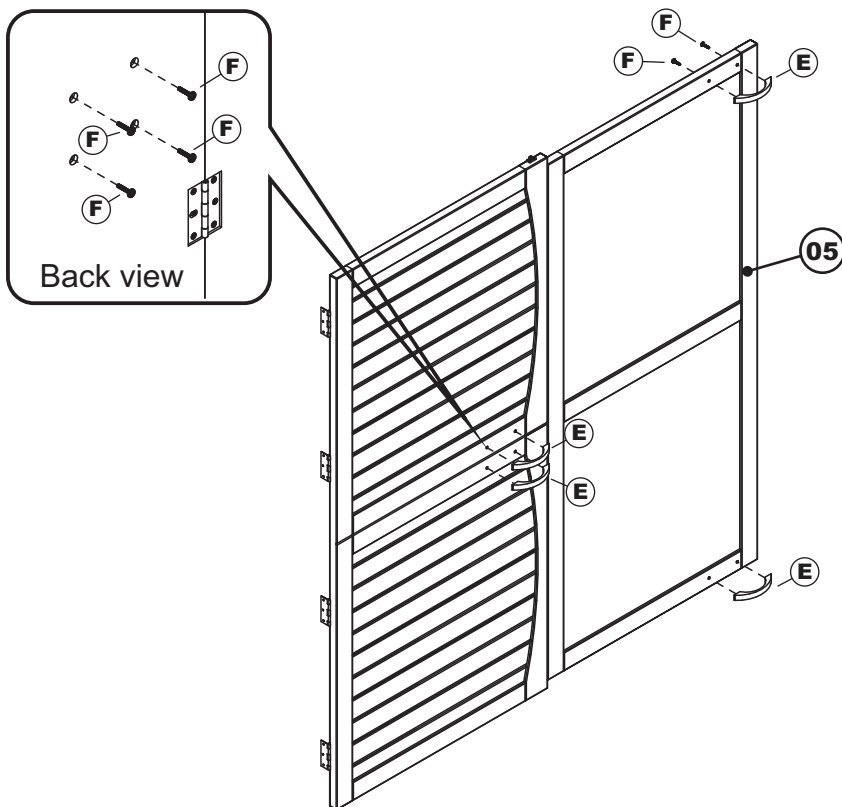
STEP 3

Attach top panel (02) to the side panels as shown below. Using JCB (B), tighten with Allen wrench (H).



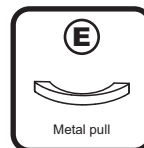
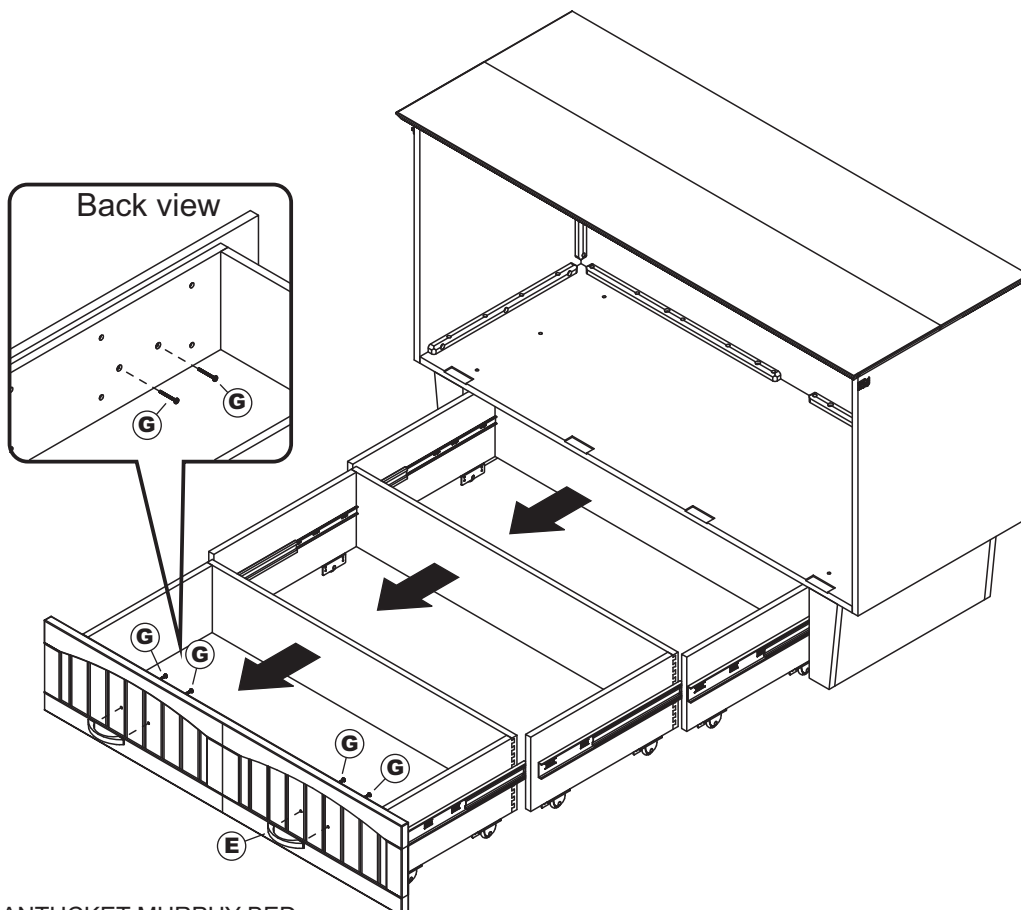
STEP 4

Install metal pull (E) to the locator holes on (05) as shown below. Using metal pull screw (F) tighten with Phillips head screwdriver (Customer Supplied).



STEP 5

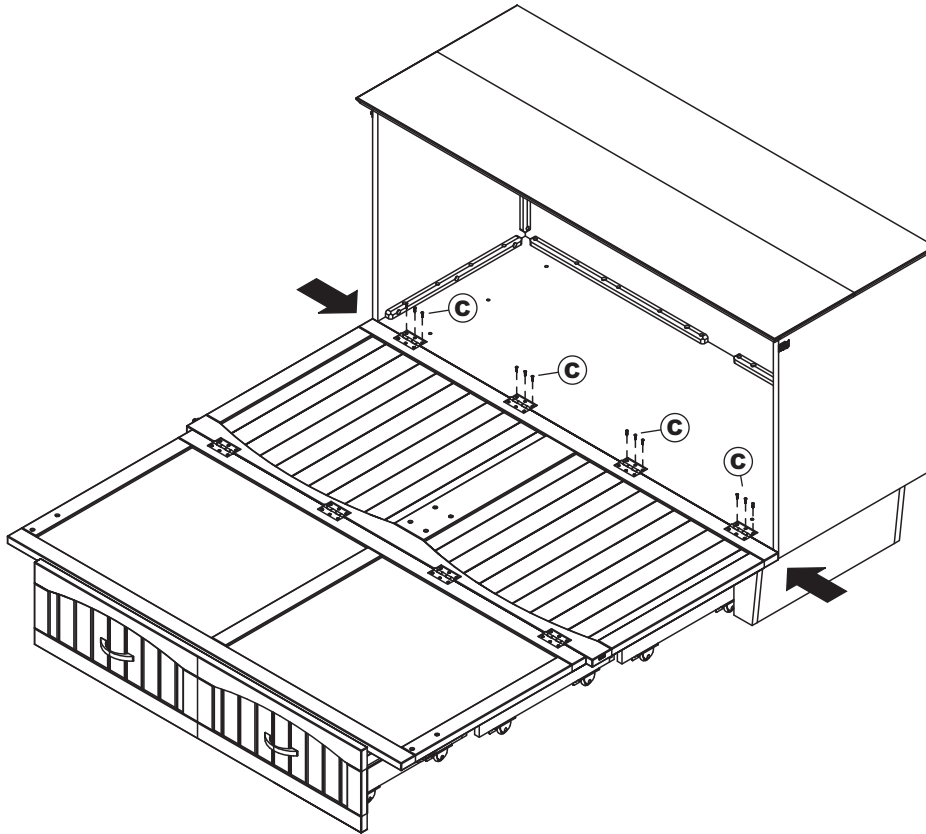
Pull out drawer base as shown below. Install metal pull (E) Using metal pull screw (G), Tighten with Phillips head screwdriver (Customer Supplied).



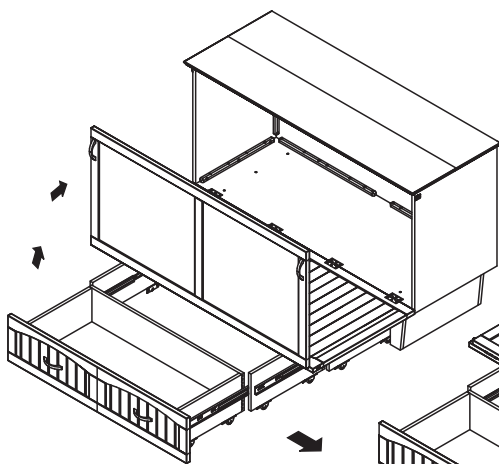
STEP 6

Lay the door as shown below. Using wood screw (C) tighten with Phillips head screwdriver (Customer Supplied).

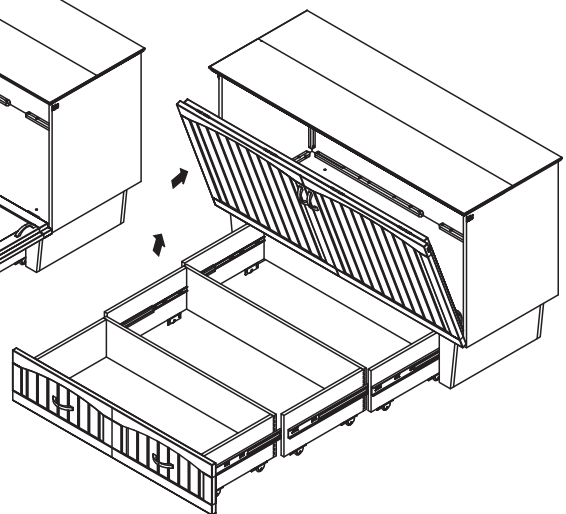
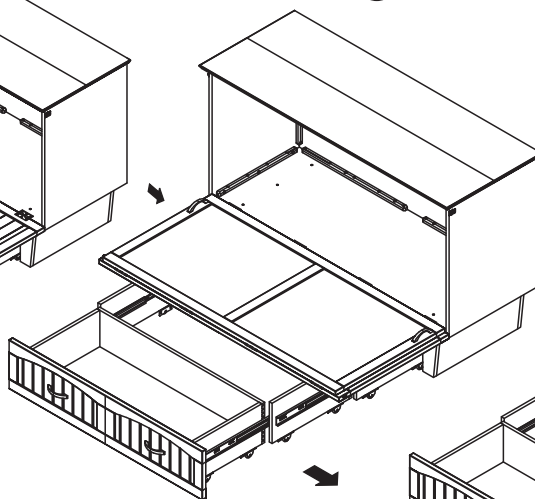
Note: Be sure to align this step.

**STEP 7**

① Lift up and lay the door as shown below.

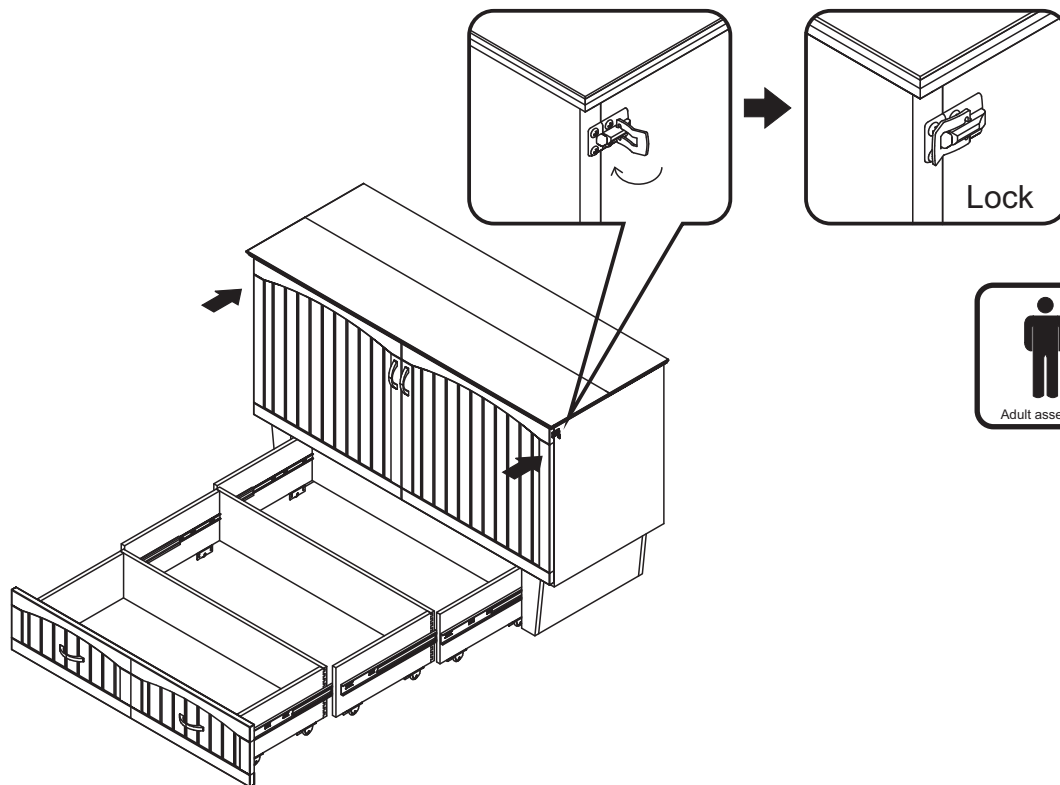


② Lift up and push the door as shown below.



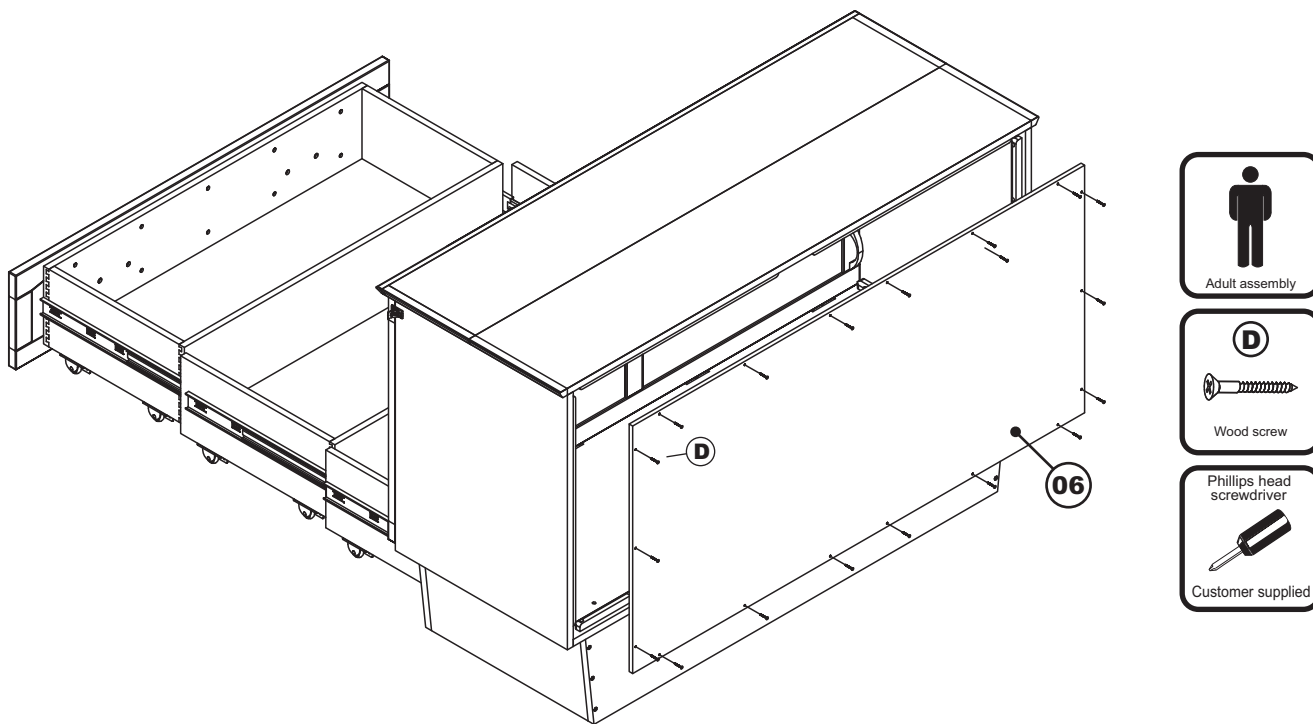
STEP 8

Push the door closed and lock both sides as shown below.



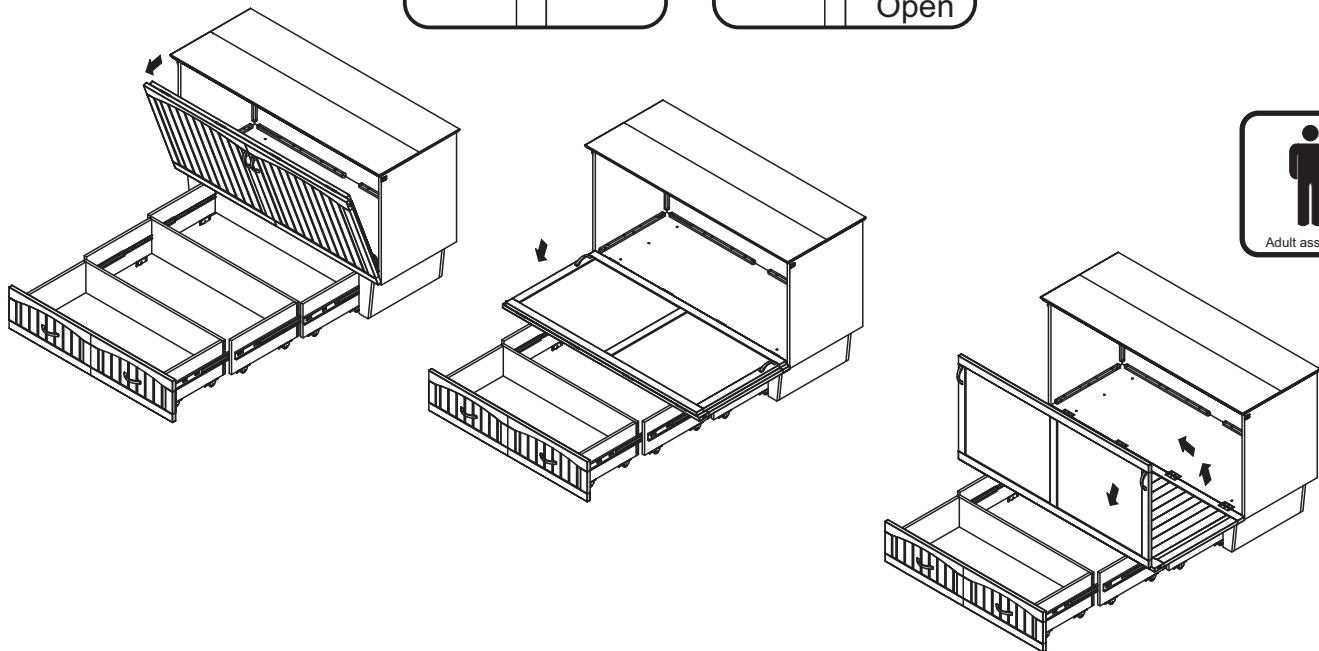
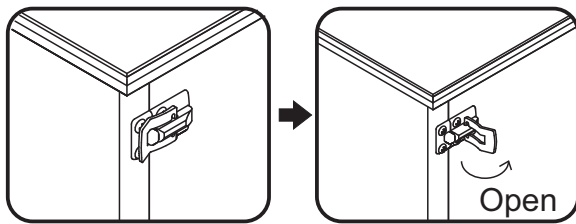
STEP 9

Attach back panel (06) to cabinet assembly as shown below. Using wood screws (D), tighten with Phillips head screwdriver (customer supplied).



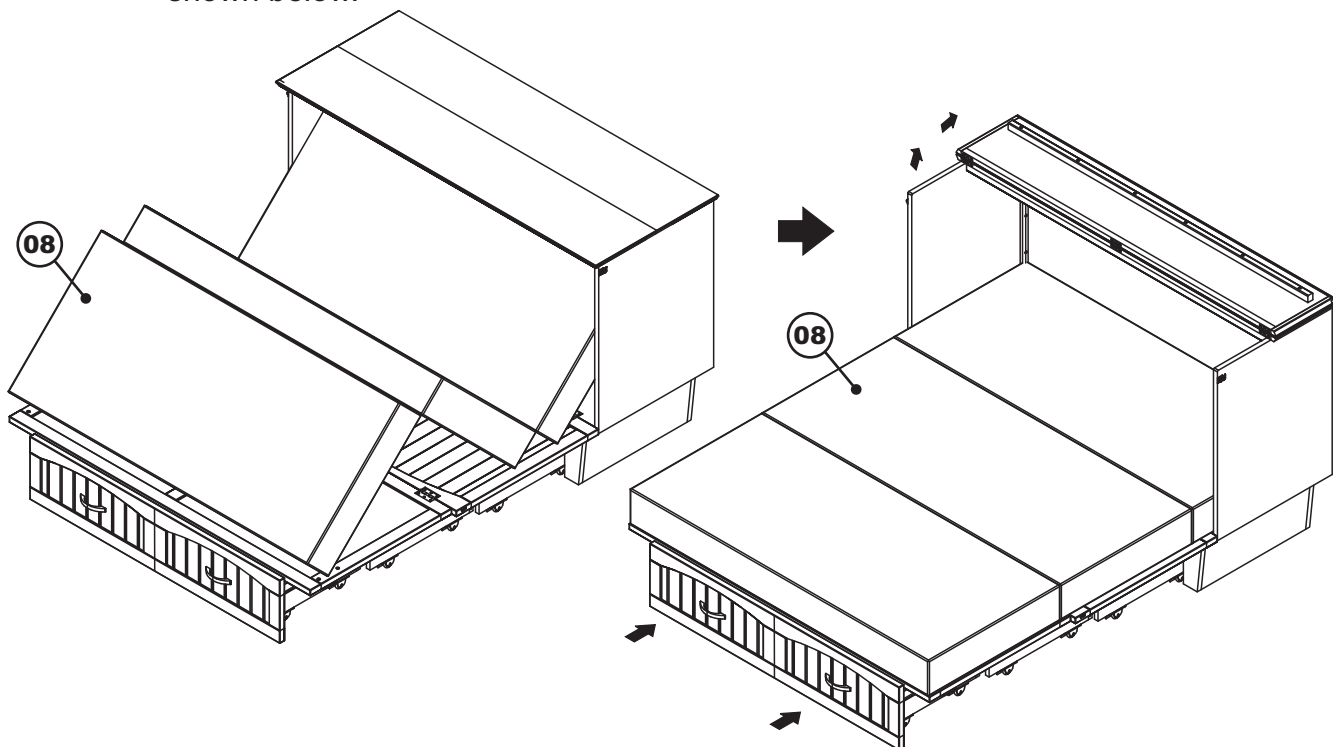
STEP 10

Unlock, open the door. Lay down and lift up the folding door as shown below.



STEP 11

Install folding mattress (08) to the bed. Open top panel and push drawer base as shown below.



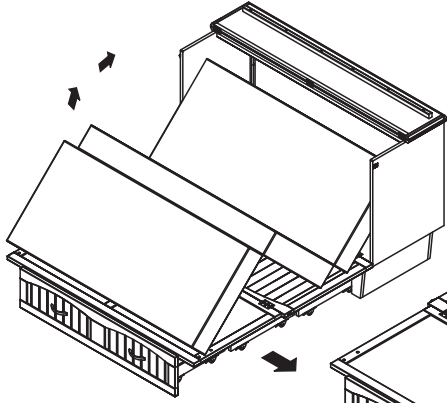
Congratulations!

Your nantucket murphy bed is now ready for use.

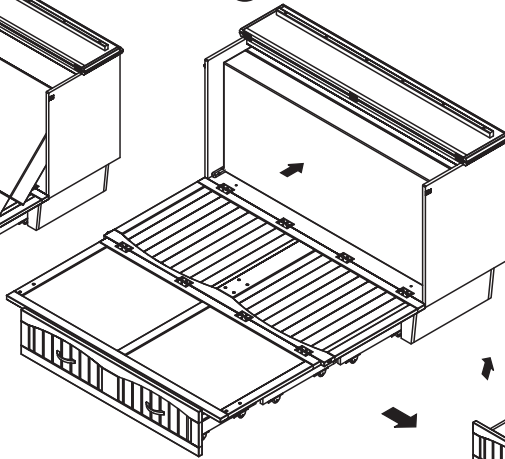
We recommend that you recheck that all screws are tight, and that all parts are secure before use and periodically to ensure lasting Safety.

CONVERSION TO CHEST.

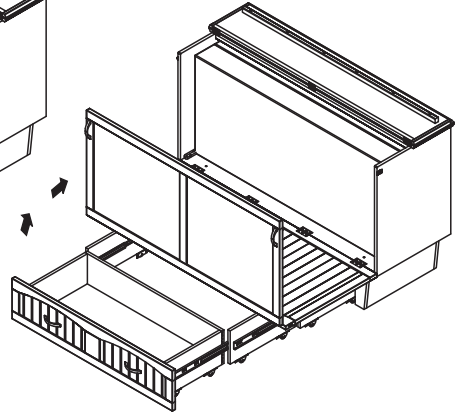
① Lift up and fold up the mattress as shown below.



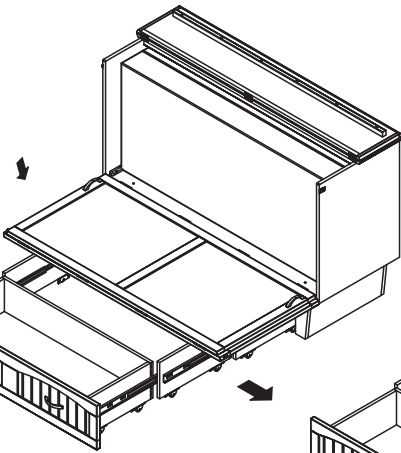
② Insert to cabinet.



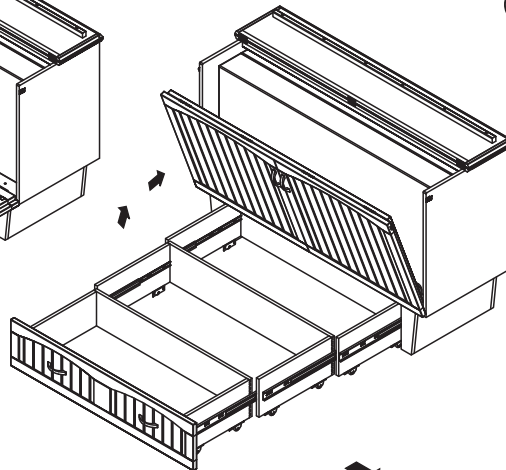
③ Lift up the door.



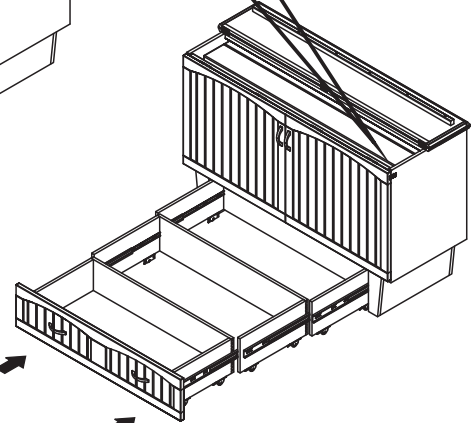
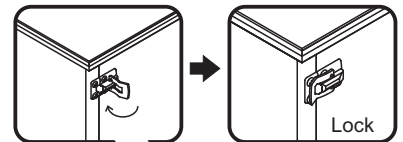
④ Fold the door.



⑤ Lift up the door and push as shown below.



⑥ Lock both sides and push drawer base as shown below.



⑦ Lift up top panel and close as shown below.

