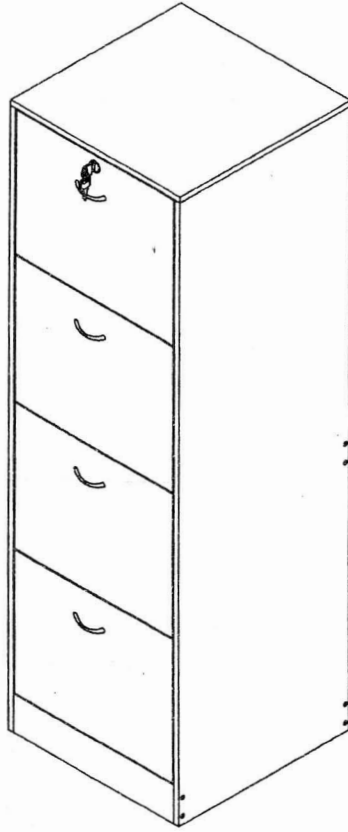
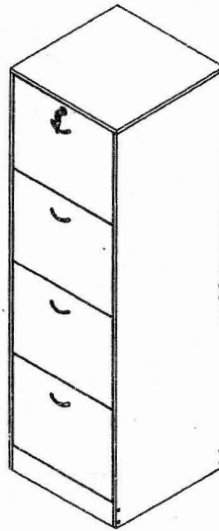


## 4 DRAWER FILING CABINET

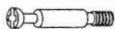


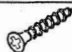




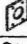






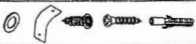


Thank you for purchasing this wonderful product from us.





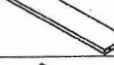








## 4 DRAWER FILING CABINET



### Hardware List

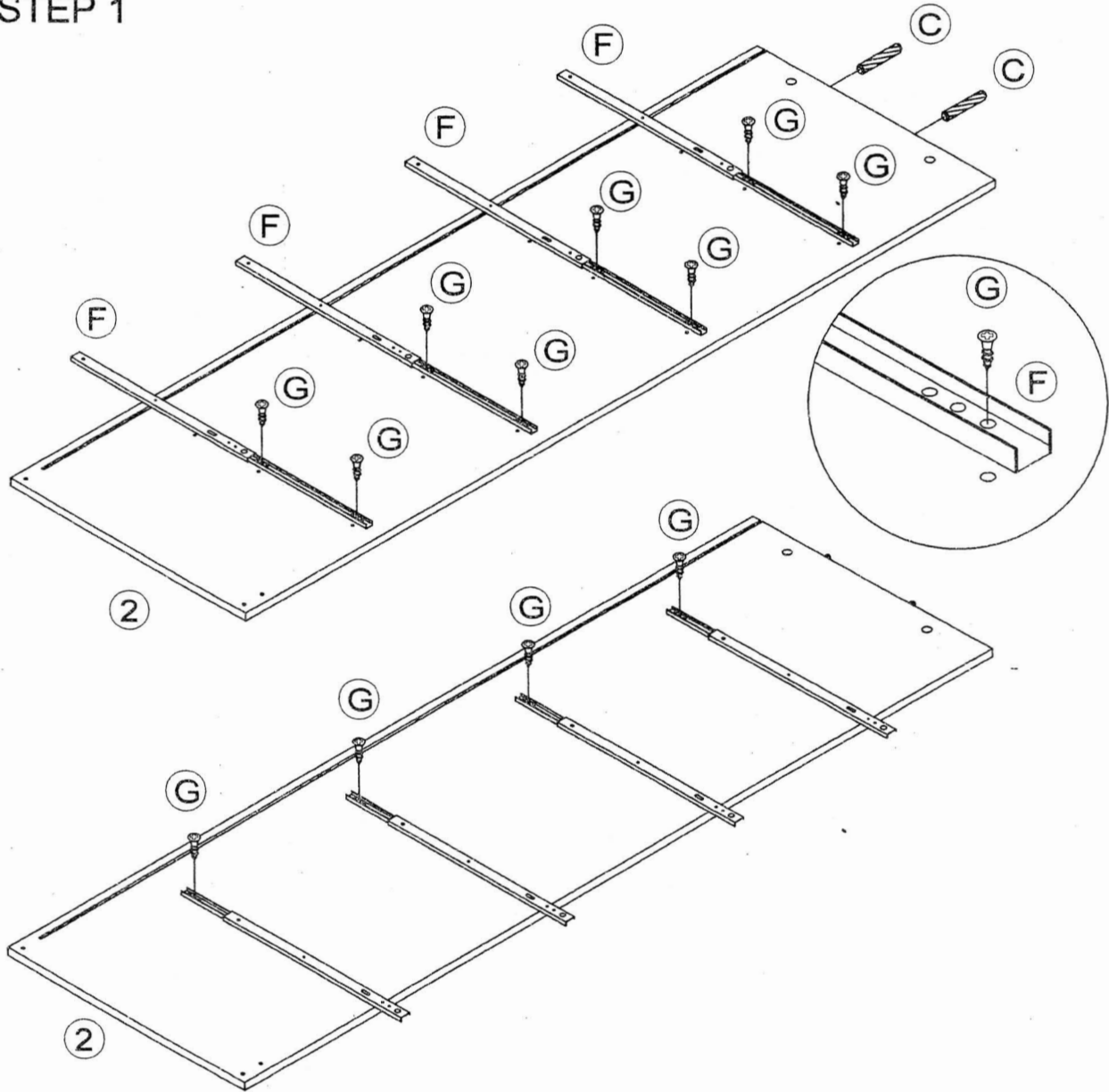
ITEM	DESCRIPTION	PART	QTY
(A)	Mini Fix		20 PCS
(B)	Camlock		20 PCS
(C)	Wooden Dowel 6x30 mm		4 PCS
(D)	Screw 4x40 mm		12 PCS
(E)	Screw 4x30 mm		16 PCS
(F)	Runner		8 PCS
(G)	Screw 3.5x12 mm		28 PCS
(H)	Lock		1 PC
(I)	Wooden Particle		1 PC
(J)	Key		1 PC
(K)	Handle		4 PCS
(L)	Handle Bolt 4x16 mm		8 PCS
(M)	Runner Bolt 4x10 mm		8 PCS
(N)	Screw 3x20 mm		4 PCS
(O)	Plastic Clip		4 PCS
(P)	Wall Bracket Set		1 set

### PART List

ITEM	DESCRIPTION	PART	QTY
①	Top Panel		1 PC
②	Right Side Panel		1 PC
③	Left Side Panel		1 PC
④	Cross Bar		2 PCS
⑤	Bottom Back Cross Bar		1 PC
⑥	Drawer Front Panel		1 PC
⑦	Drawer Front Panel		3 PCS
⑧	Drawer Left Panel		4 pcs
⑨	Drawer Right Panel		4 pcs
⑩	Drawer Back Panel		4 pcs
⑪	Drawer Bottom Panel		4 pcs
⑫	Back Panel		1 PC
⑬	Iron Rail		8 PCS

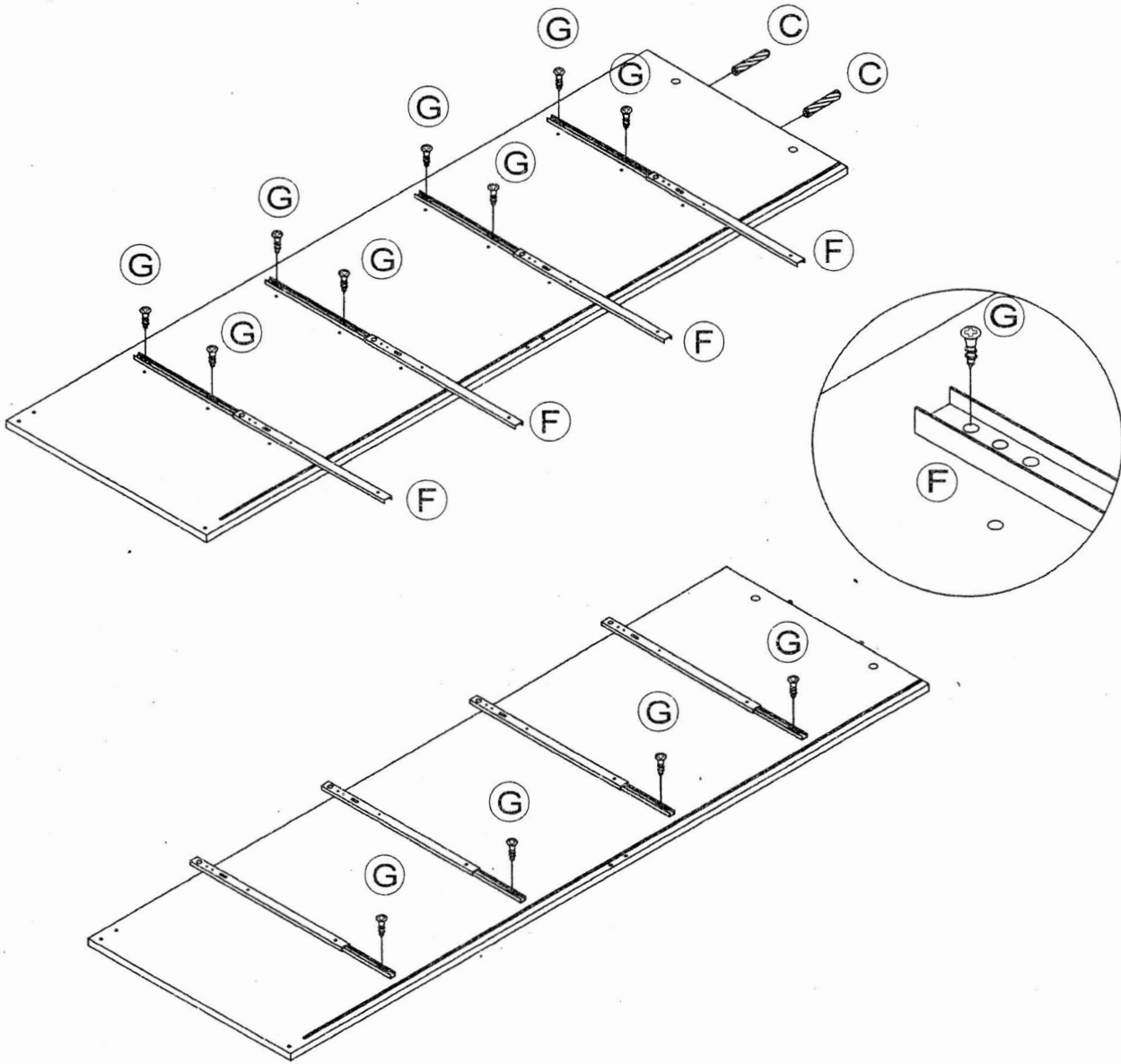
# 4 Drawer Filing Cabinet

## STEP 1



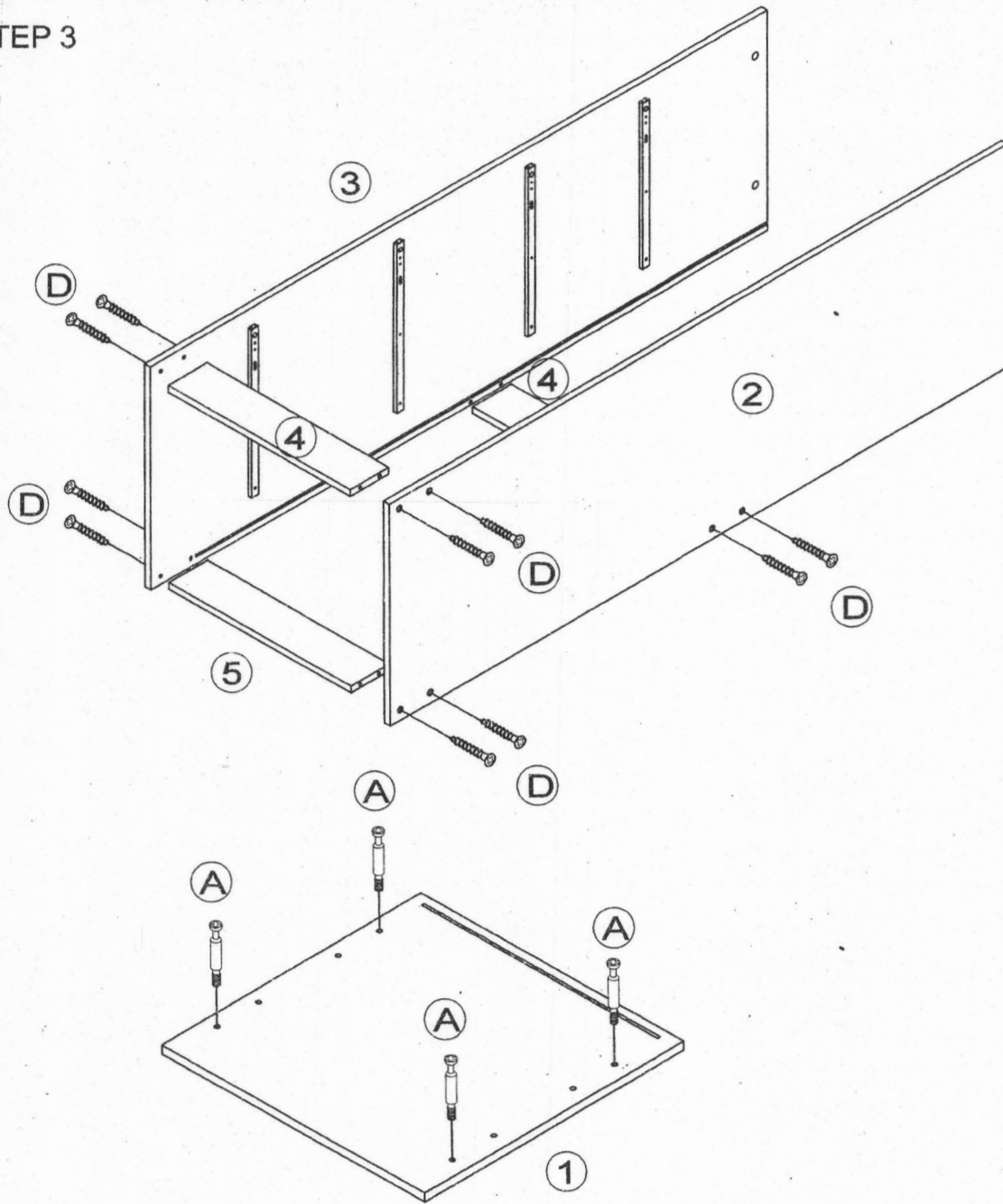
Assemble Runner (F) to the right Panel (2) by using Wooden Dowel(C),Screw(G) as shown.

STEP 2



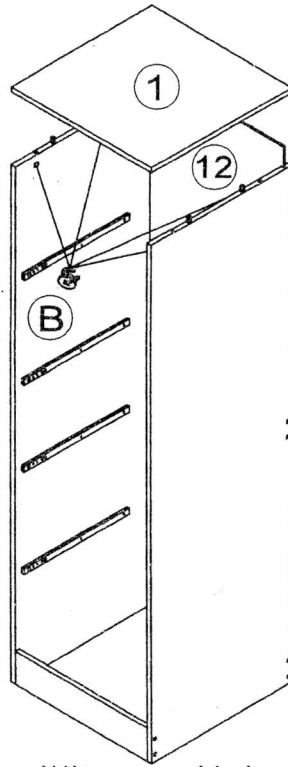
Assemble Runner (F) to the left Panel (3) by using Wooden Dowel (C),Screw(G) as shown.

STEP 3



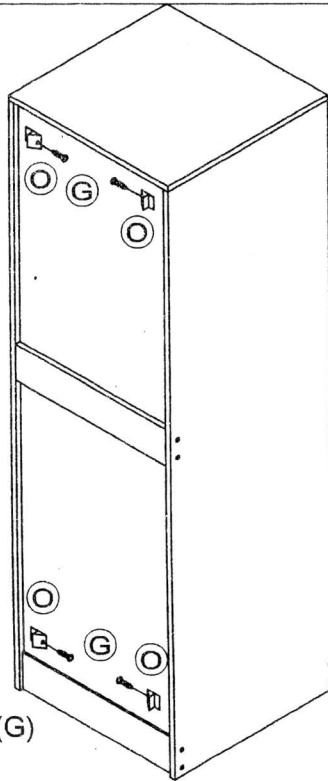
Assemble Bottom Back Cross Bar(5), Cross Bar(4) to Right Side Panel(2) and Left Side Panel(3) by using Screw(D) as shown, then install the Mini Fix(A) to the top Panel (1) as shown.

## STEP 4



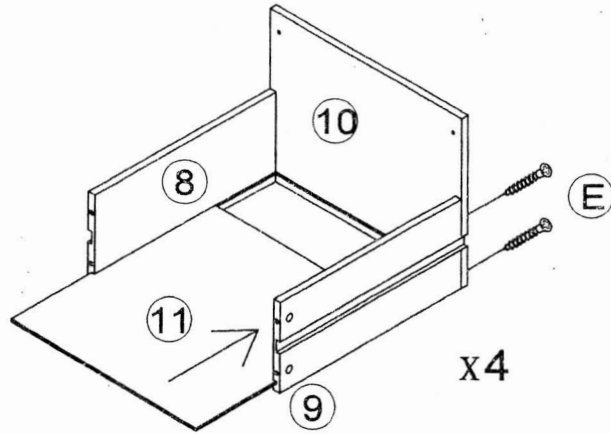
Insert the Back Panel(12) to the assembled unit, then assemble the top Panel(1) to assembled unit by using Cam Lock(B) as shown.

## STEP 5

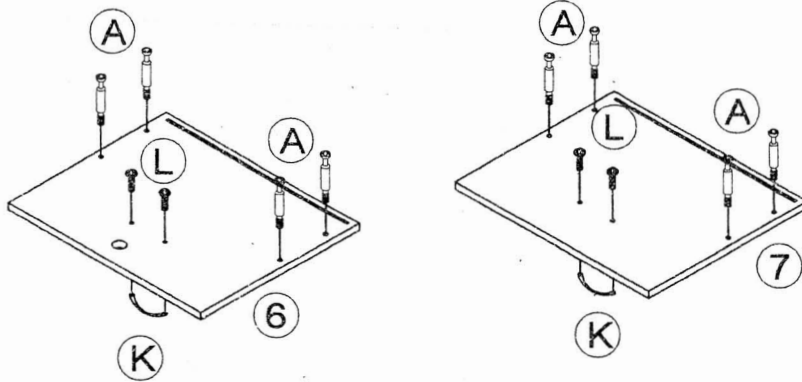


Using the Plastic Clip (O) and Screw(G) to tighten the Back Panel as shown.

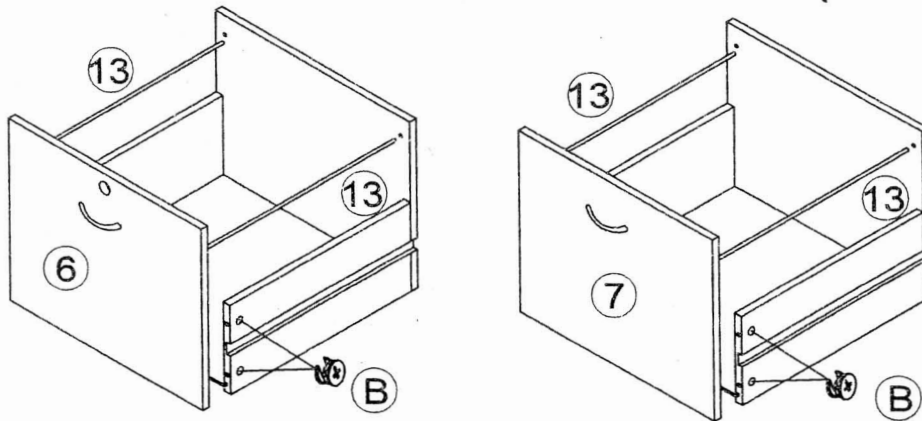
# STEP 6



Assemble Drawer Left Side Panel(8),Drawer Right Side Panel(9) to the Drawer Back Panel(10) by using Screw(E) as shown, then insert the Bottom Panel(11) it's position as shown.

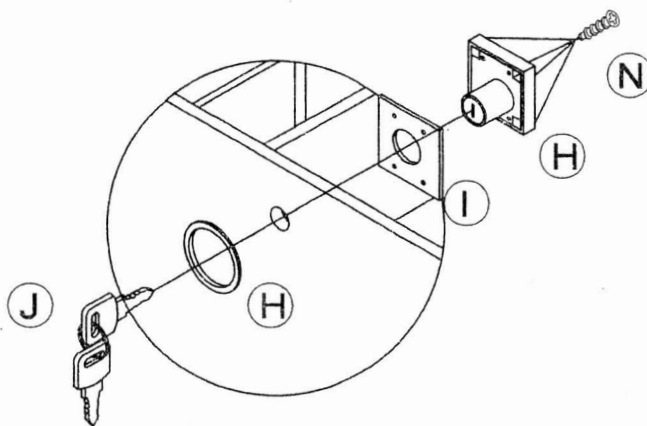
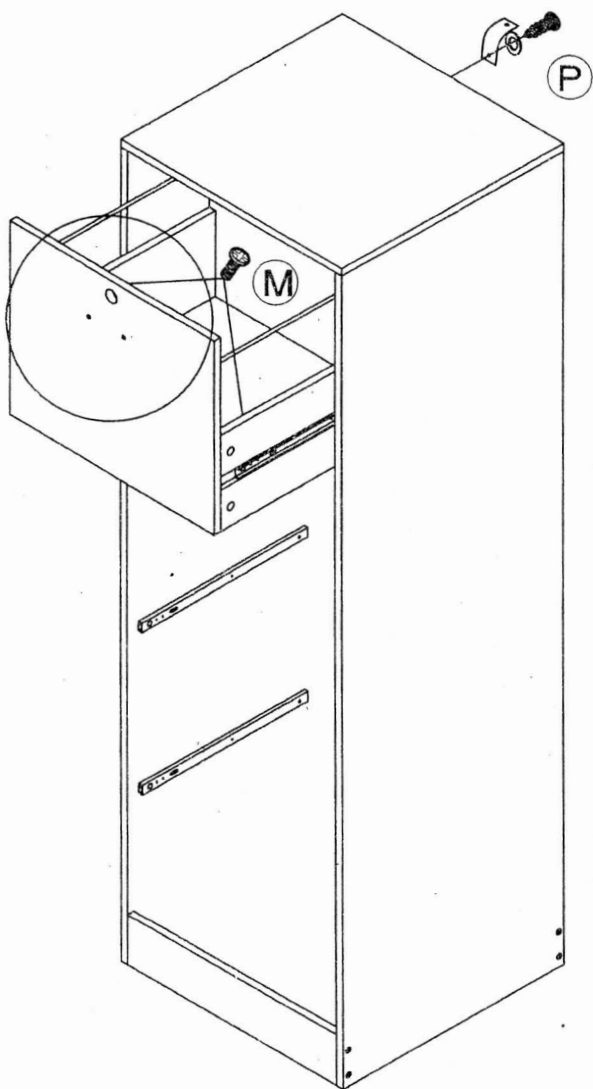


Assemble the Mini Fix(A) to the Drawer Front Panel(6)(7),then install the Handle(K) to the Drawer Front Panel(6),(7)by using Handle Bolt(L) as shown.

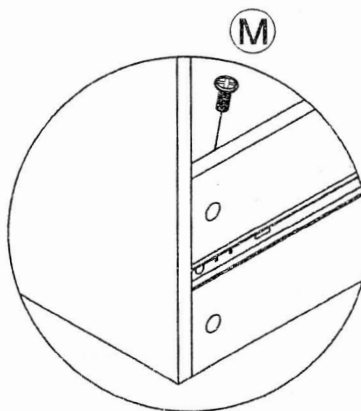


Insert the Iron Rail(13)to the Drawer Back Panel(10), then install the Drawer Front Panel(6),(7) to assemble unit by using Camlock(B).

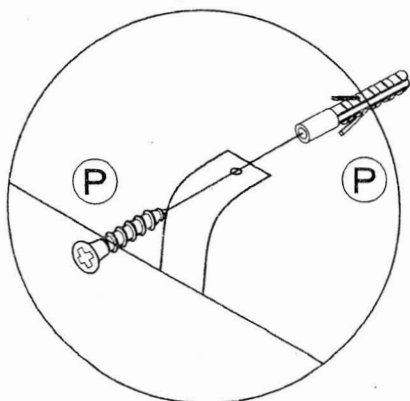
# STEP 7



Assemble the Wooden Particle(I) and Lock(H)to the Panel(6) by using Screw(N) as shown.



Assemble the drawer to the Runner(F) by using Screw(M) as shown.



Mount the Wall plug P onto the desired wall location, use screw P to secure the desired spot to prevent the cabinet from falling over as shown.