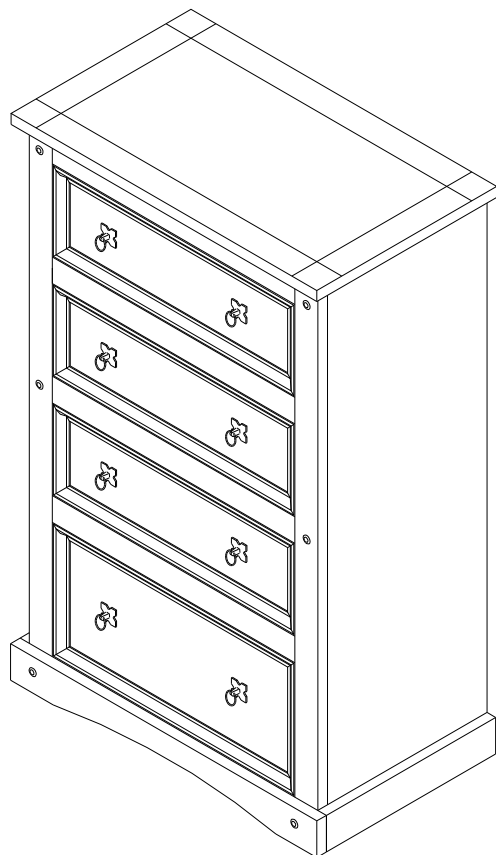


# ASSEMBLY INSTRUCTIONS

Is for domestic use and  
strictly not for contract use.



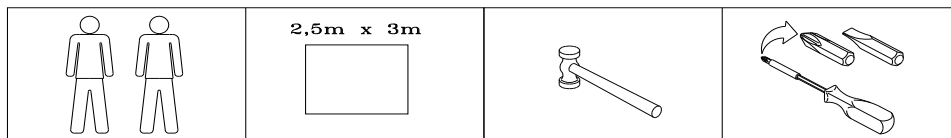
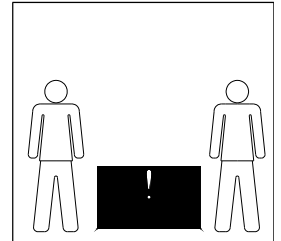
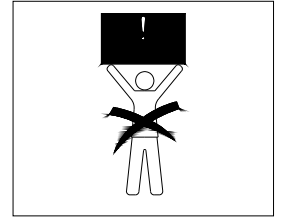
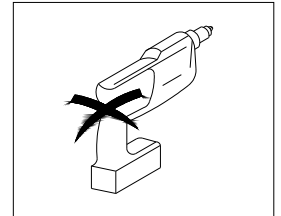
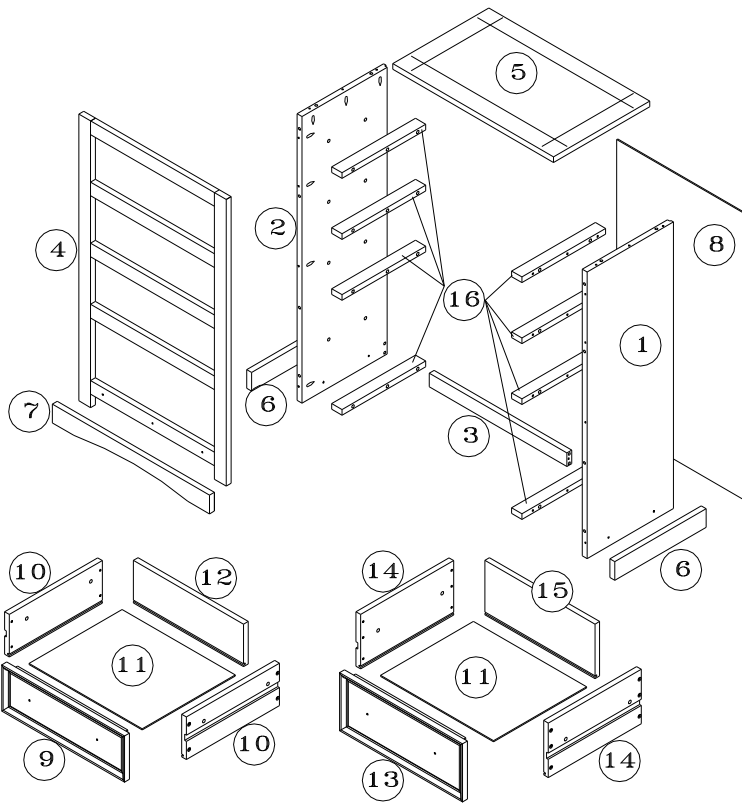
## IMPORTANT

PLEASE READ BEFORE YOU CONTINUE FURTHER

## CARE AND MAINTENANCE

After unpacking this product please keep the original packaging in case it needs to be returned for any reason.

- Please ensure all fittings and parts are present before commencing with assembly.
- We recommend that you lay a blanket or sheet on the floor to avoid damage to both your floor and the product.
- We strongly recommend that you keep children away from your work area.
- Assemble this product as close to its final position as possible.
- Never drag or push products as this could cause damage to the joints making it inferior.
- Do not place this product next to a radiator or in direct sunlight.
- Wood is a natural product and may expand if subjected to damp and may shrink or crack if subjected to heat. Therefore it is recommended that room temperature is maintained, with no sudden temperature fluctuations.
- Make sure any spillage is wiped off immediately.
- Do not place hot or chilled items directly on to the surface, use a place mat or marking will occur.
- For general cleaning use a duster, and do not use detergents of any kind. However, the surface will need to be retreated from time to time. This can be done by using block wax (unperfumed) and rubbing it over the whole item.
- From time to time it may be necessary to tighten fittings, regular inspections should be carried out.



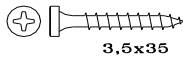
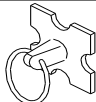
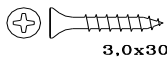
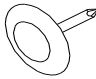
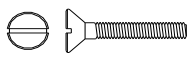
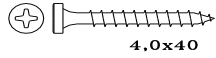
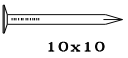

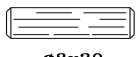
!   
 \* Use of power tools to assemble this product will invalidate any claim and damage this product making it unsafe !!!   
 \* Please assemble on a clean soft surface to avoid damage.

!   
 \* Please check contents and read the instructions before commencing assembly.   
 \* Assemble this product following the enclosed instructions carefully.   
 \* Please take care to avoid damaging panels during assembly.

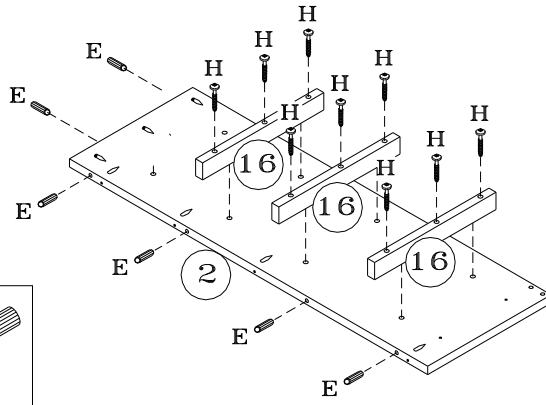
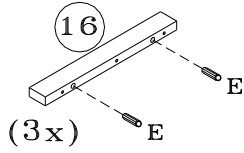
### PARTS LIST

1	Right Side Panel	01	7	Front Plinth	01	13	Large Drawer Front	01
2	Left Side Panel	01	8	Back Panel	01	14	Large Drawer Side	02
3	Back Crossbeam	01	9	Small Drawer Front	03	15	Large Drawer Back	01
4	Front Frame	01	10	Small Drawer Side	06	16	Drawer Runner	08
5	Top	01	11	Drawer Bottom	04			
6	Side Plinth	02	12	Small Drawer Back	03			

### FITTINGS

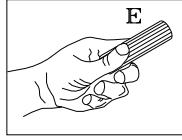
A		23	F		08
B		36	G		06
C		08	H		24
D		23	I		05
E		40			

01

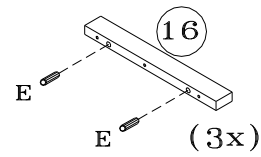
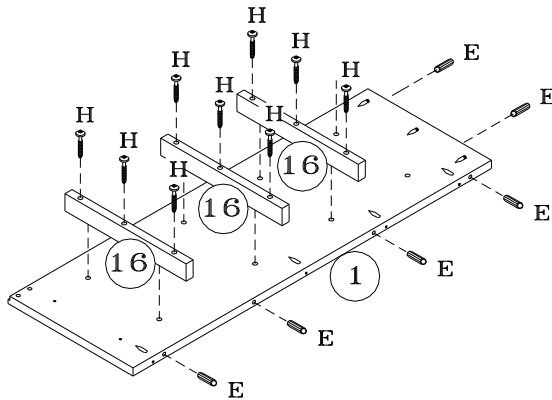


\* Please assemble on a clean soft surface to avoid damage.

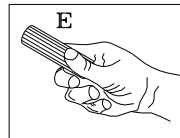
H		09
E		12



02

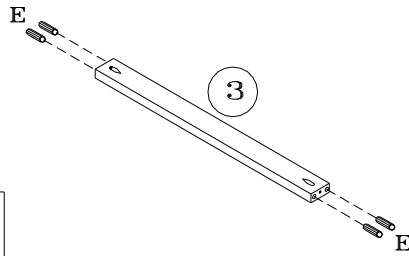


\* Please assemble on a clean soft surface to avoid damage.

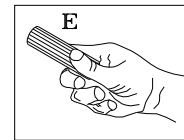


H		09
E		12

03

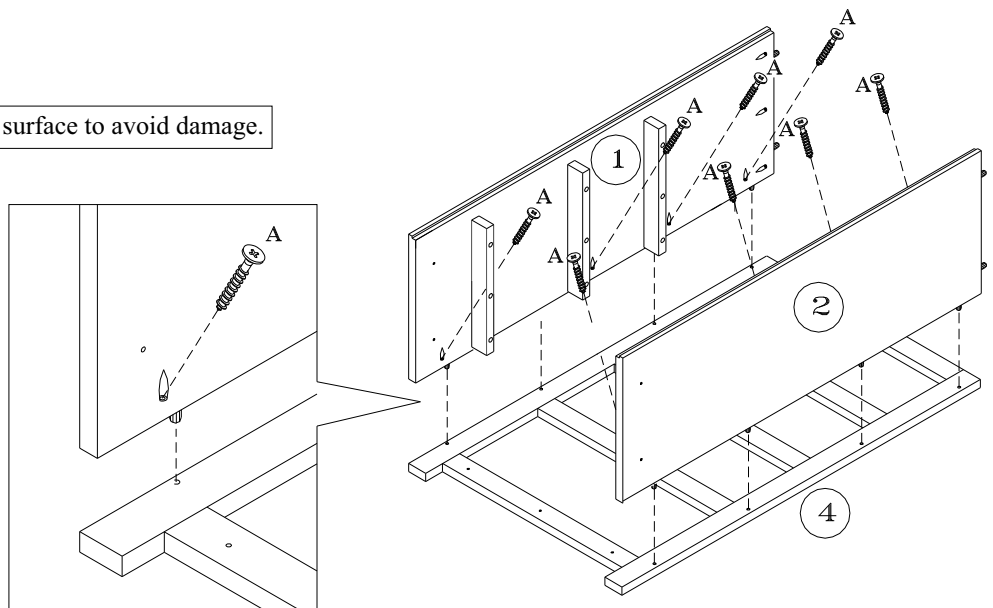


E		04
---	--	----



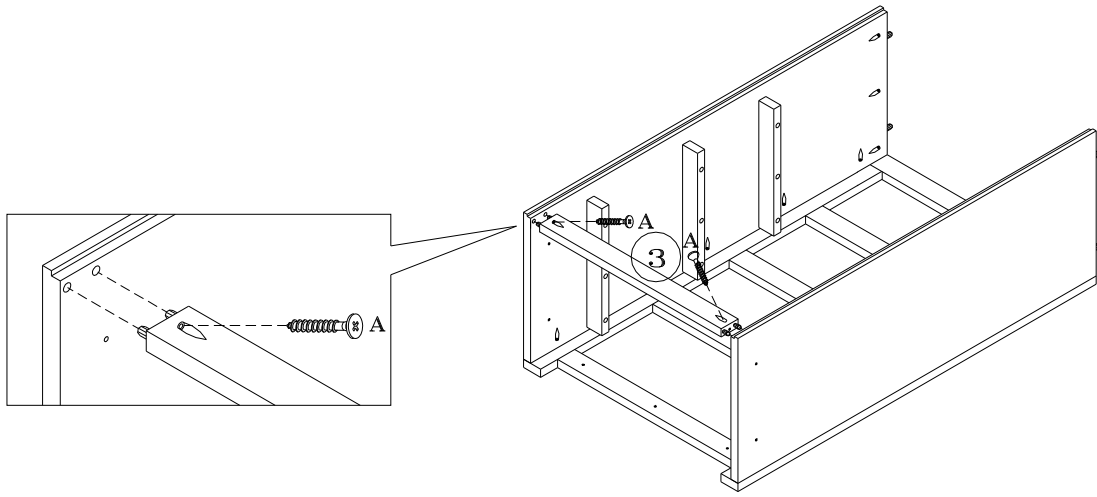
04


\* Please assemble on a clean soft surface to avoid damage.



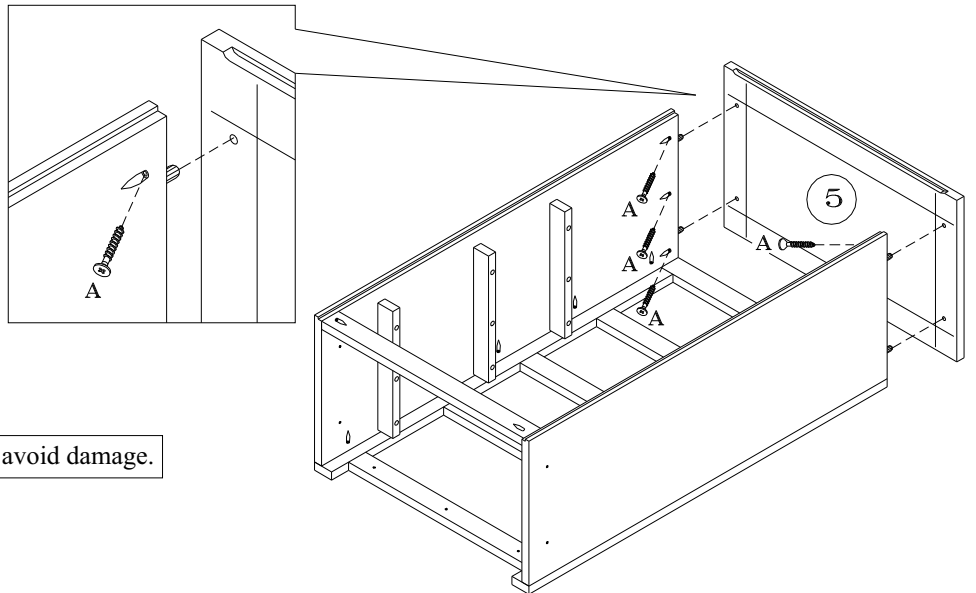
A		08
---	--	----

05




A		3,5x35	02
---	---	--------	----

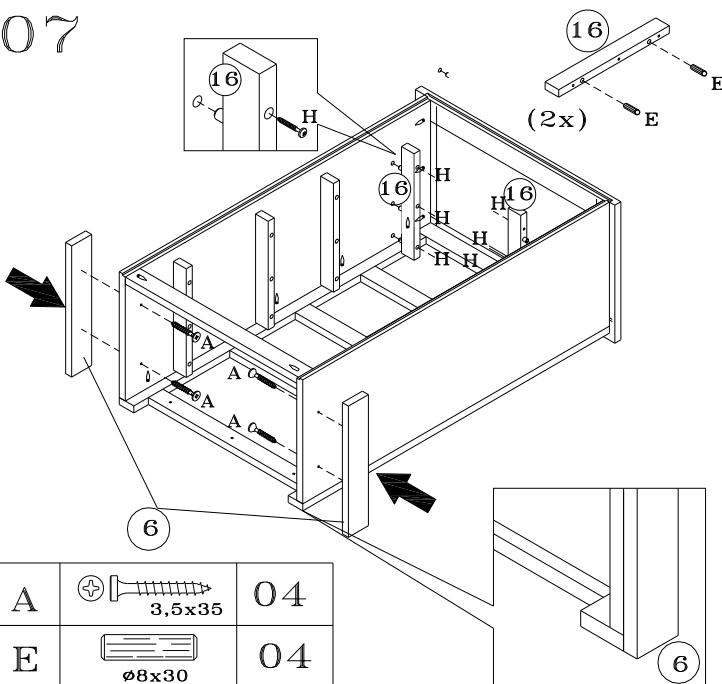
06






\* Please assemble on a clean soft surface to avoid damage.

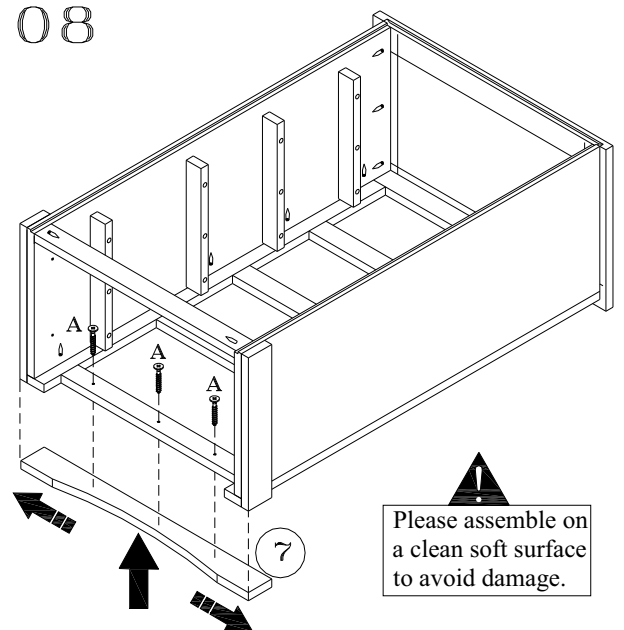
A		3,5x35	06
---	---	--------	----

07




A		3,5x35	04
E		ø8x30	04
H		4,0x40	06

08



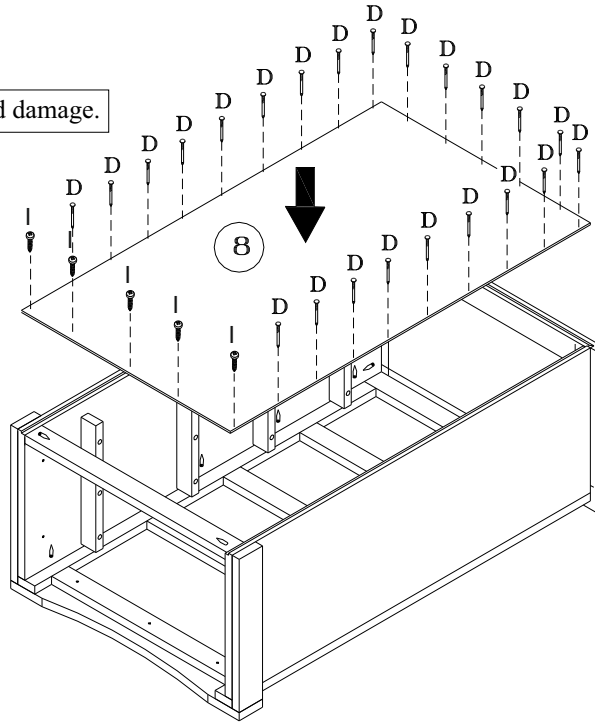
Please assemble on a clean soft surface to avoid damage.

A		3,5x35	03
---	---	--------	----

09



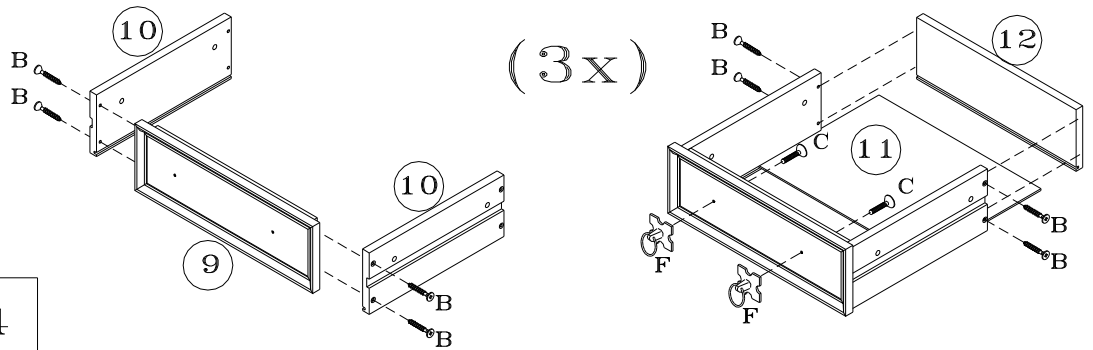
\* Please assemble on a clean soft surface to avoid damage.



I		3,5 x 16	05
---	--	----------	----

D		10x10	23
---	--	-------	----

10

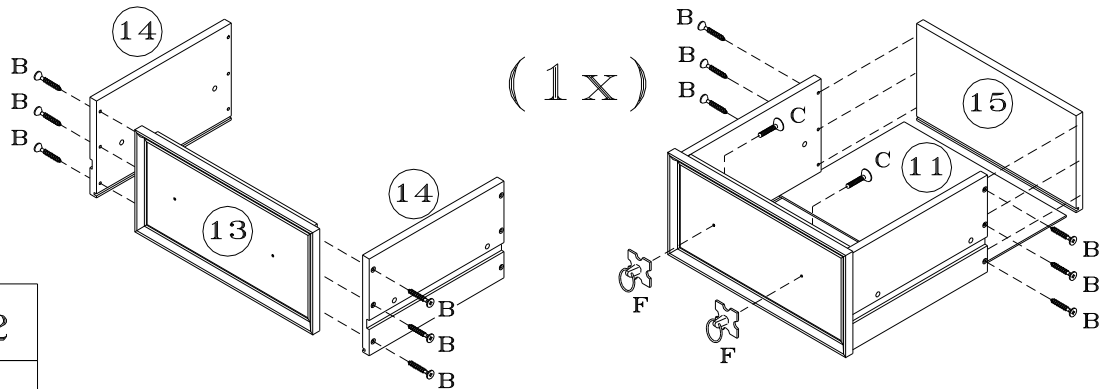


B		3,0x30	24
F			06
C			06



\* Please assemble on a clean soft surface to avoid damage.

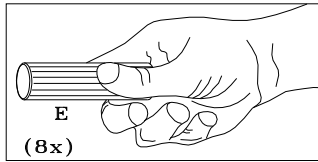
11

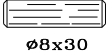



B		3,0x30	12
F			02
C			02



\* Please assemble on a clean soft surface to avoid damage.



E	 ø8x30	08
G		06

