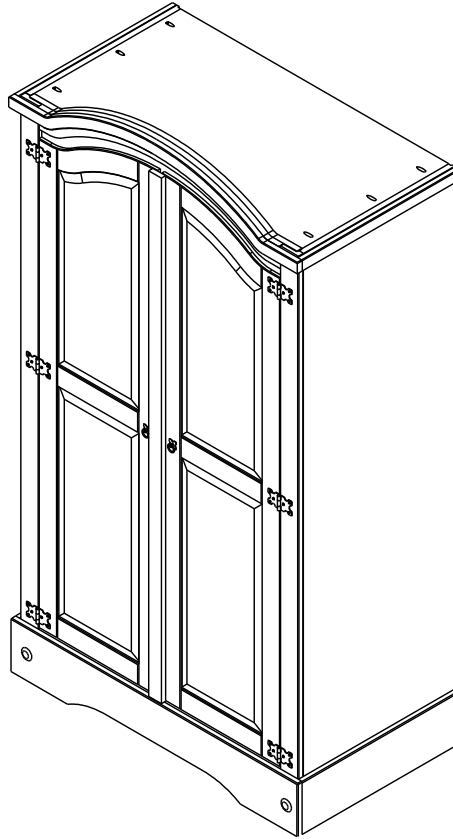


# Corona 2 Door Wardrobe

## ASSEMBLY INSTRUCTIONS



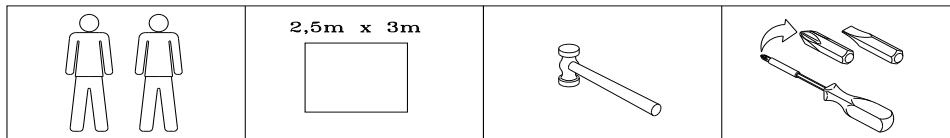
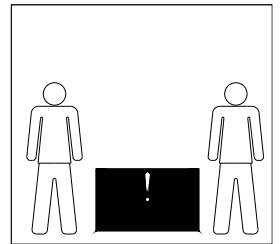
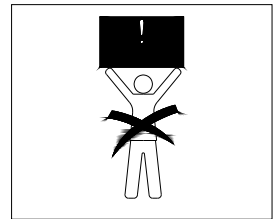
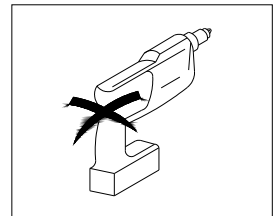
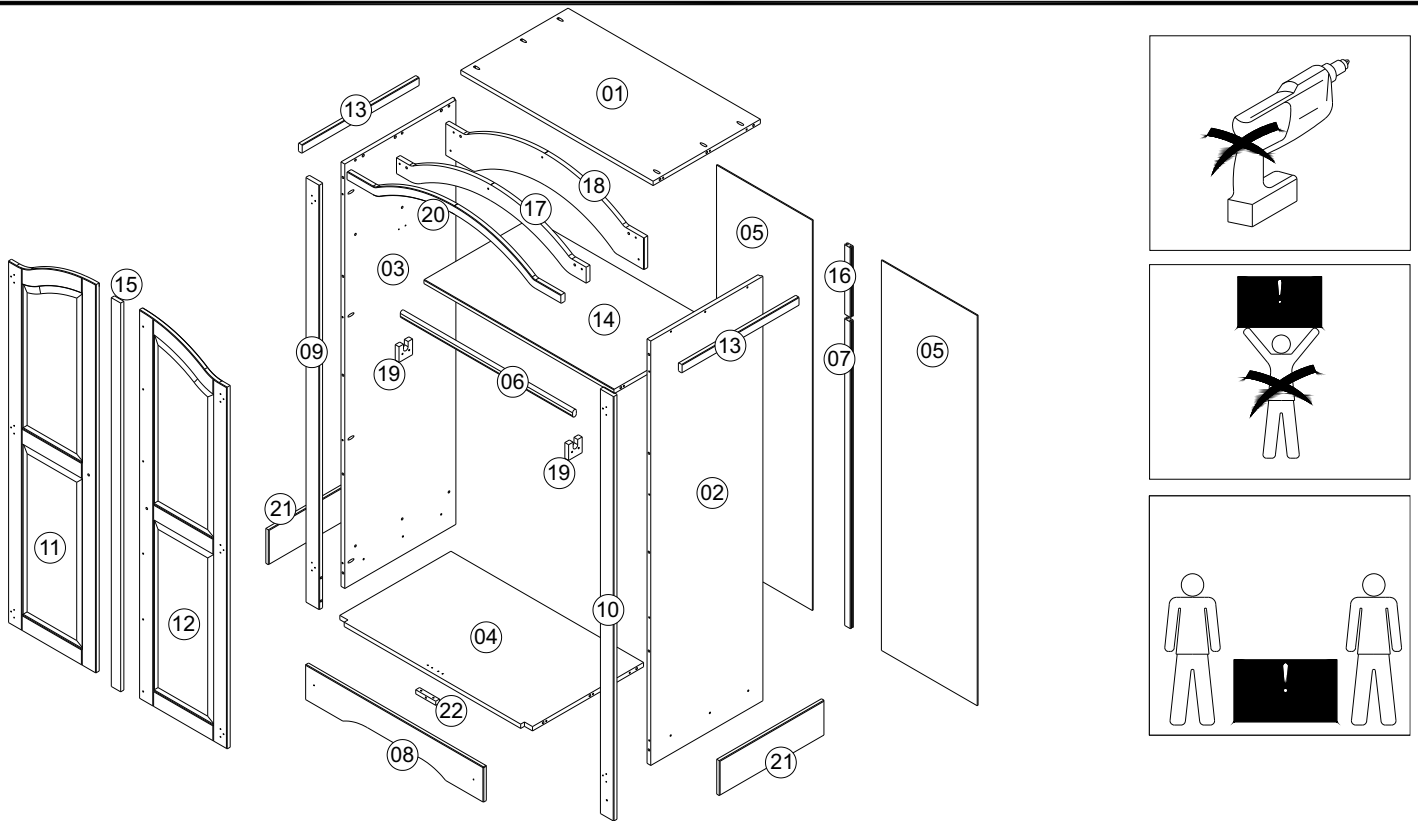
### IMPORTANT

PLEASE READ BEFORE YOU CONTINUE FURTHER

## FOR DOMESTIC USE ONLY CARE AND MAINTENANCE

After unpacking this product please keep the original packaging in case it needs to be returned for any reason.

- Please ensure all fittings and parts are present before commencing with assembly.
- We recommend that you lay a blanket or sheet on the floor to avoid damage to both your floor and the product.
- We strongly recommend that you keep children away from your work area.
- Assemble this product as close to its final position as possible.
- Never drag or push products as this could cause damage to the joints making it inferior.
- Do not place this product next to a radiator or in direct sunlight.
- Wood is a natural product and may expand if subjected to damp and may shrink or crack if subjected to heat. Therefore it is recommended that room temperature is maintained, with no sudden temperature fluctuations.
- Make sure any spillage is wiped off immediately.
- Do not place hot or chilled items directly on to the surface, use a place mat or marking will occur.
- For general cleaning use a duster, and do not use detergents of any kind. However, the surface will need to be retreated from time to time. This can be done by using block wax (unperfumed) and rubbing it over the whole item.
- From time to time it may be necessary to tighten fittings, regular inspections should be carried out.



**!**  
 \* Use of power tools to assemble this product will invalidate any claim and damage this product making it unsafe !!!  
 \* Please assemble on a clean soft surface to avoid damage.

**!**  
 \* Please check contents and read the instructions before commencing assembly.  
 \* Assemble this product following the enclosed instructions carefully.  
 \* Please take care to avoid damaging panels during assembly.

### PARTS LIST

1	Top Panel (Small)	01
2	Right Side Panel	01
3	Left Side Panel	01
4	Base	01
5	Back Panel	02
6	Hanging rail	01
7	Bottom back panel strip	01
8	Front Plinth	01

9	Left front upright	01
10	Right front upright	01
11	Left Door	01
12	Right Door	01
13	Top Side Plinth	02
14	Fixed Shelf	01
15	Door Strip	01
16	Upper back panel strip	01

17	Top Middle Plinth	01
18	Top back Plinth	01
19	Hanger support	02
20	Top Front Plinth	01
21	Side Plinth	02
22	Support block	01

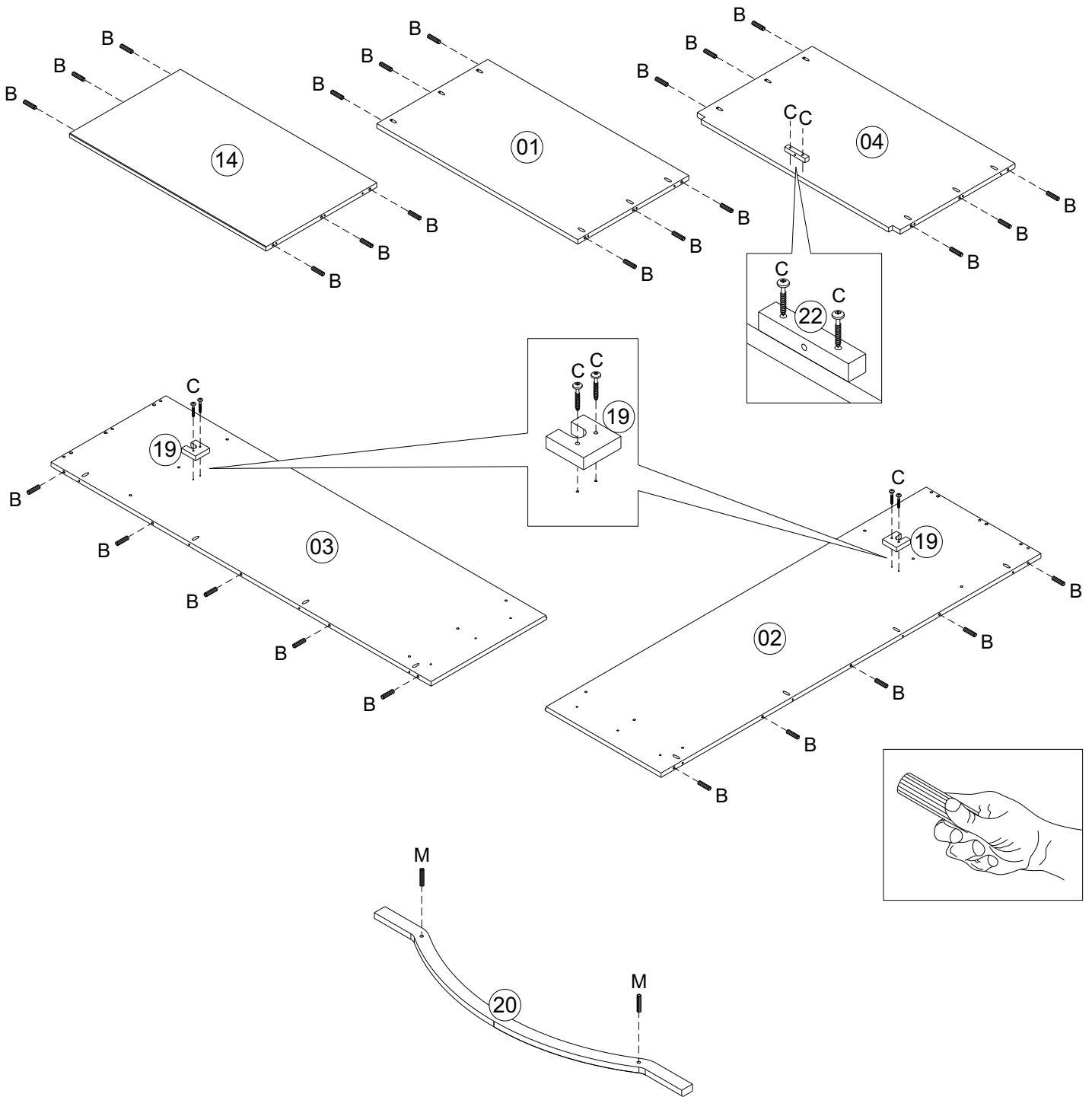
### FITTINGS

A		29
B		28
C		14
D		32
E		52
F		04

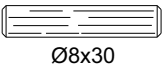
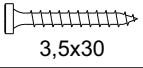
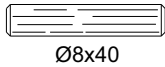
G		04
H		06
I		02
J		06

K		06
L		03
M		02
N		02
O		01

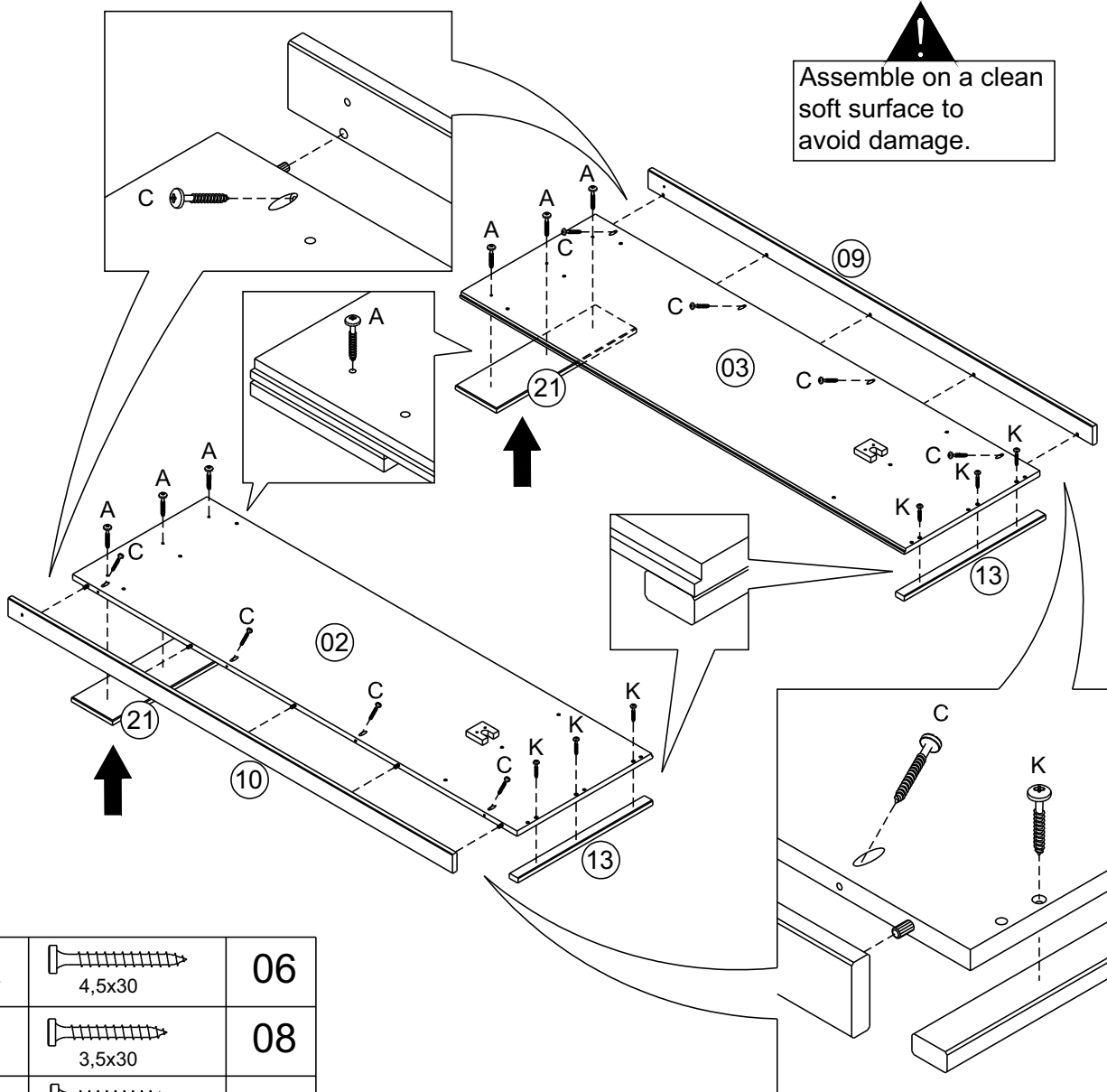
01



**!**  
Assemble on a clean  
soft surface to  
avoid damage.

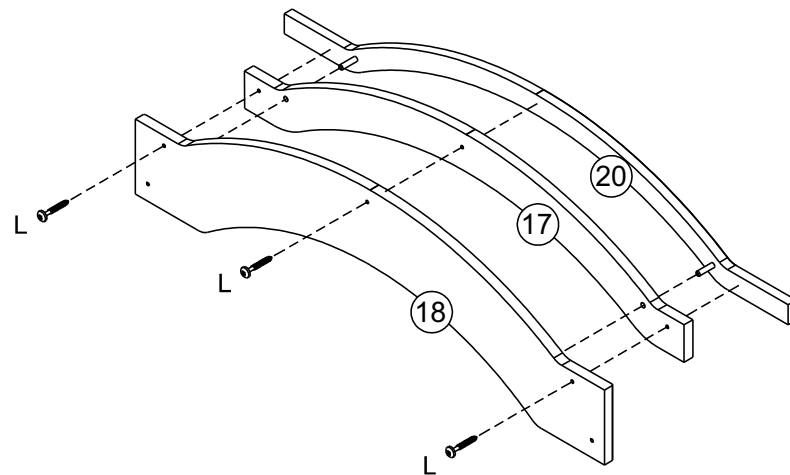
B	 Ø8x30	28
C	 3,5x30	06
M	 Ø8x40	02

02



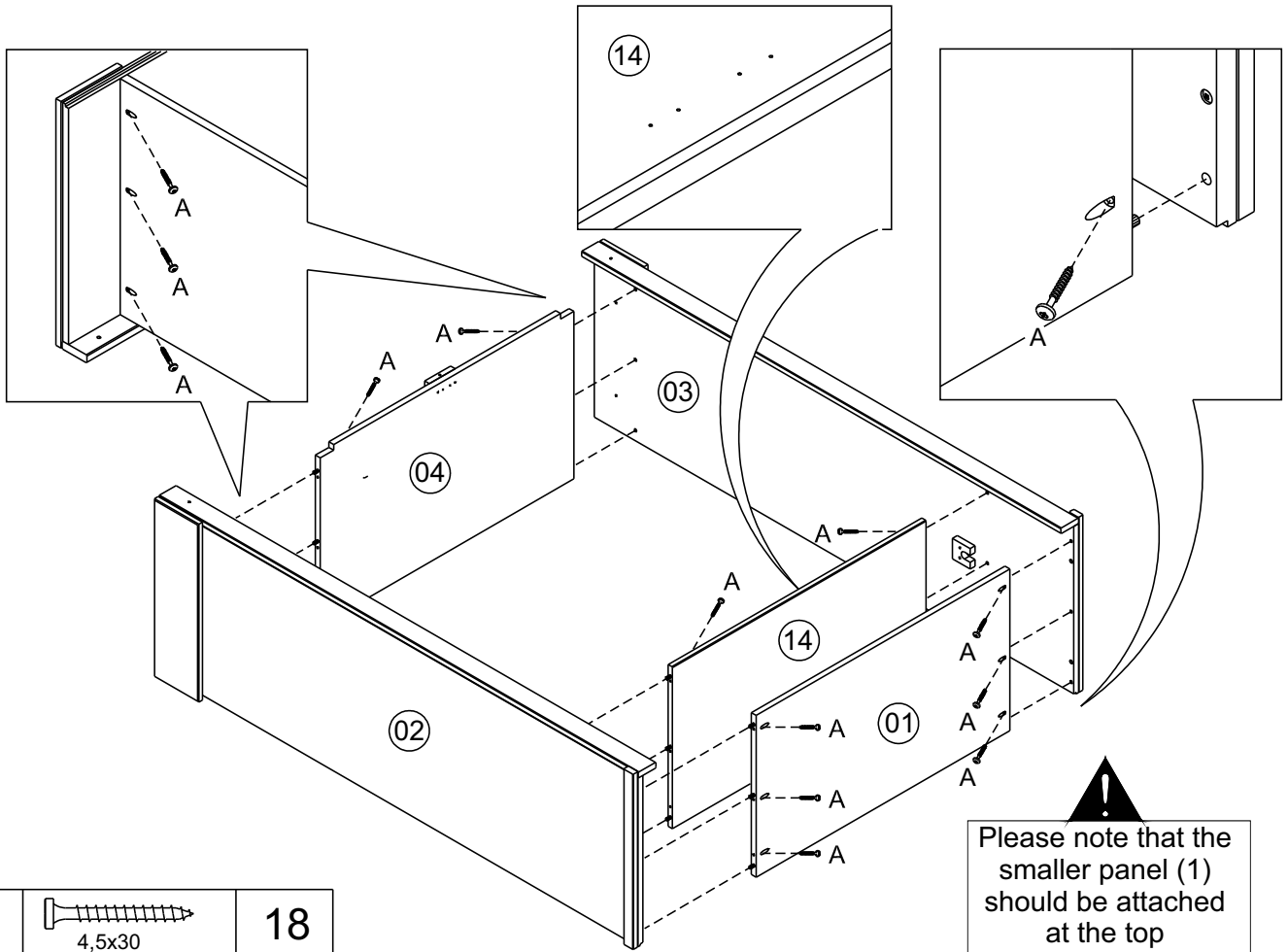
A	4,5x30	06
C	3,5x30	08
K	4,5x25	06

03

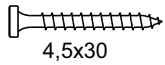


L	4,0x45	03
---	--------	----

04



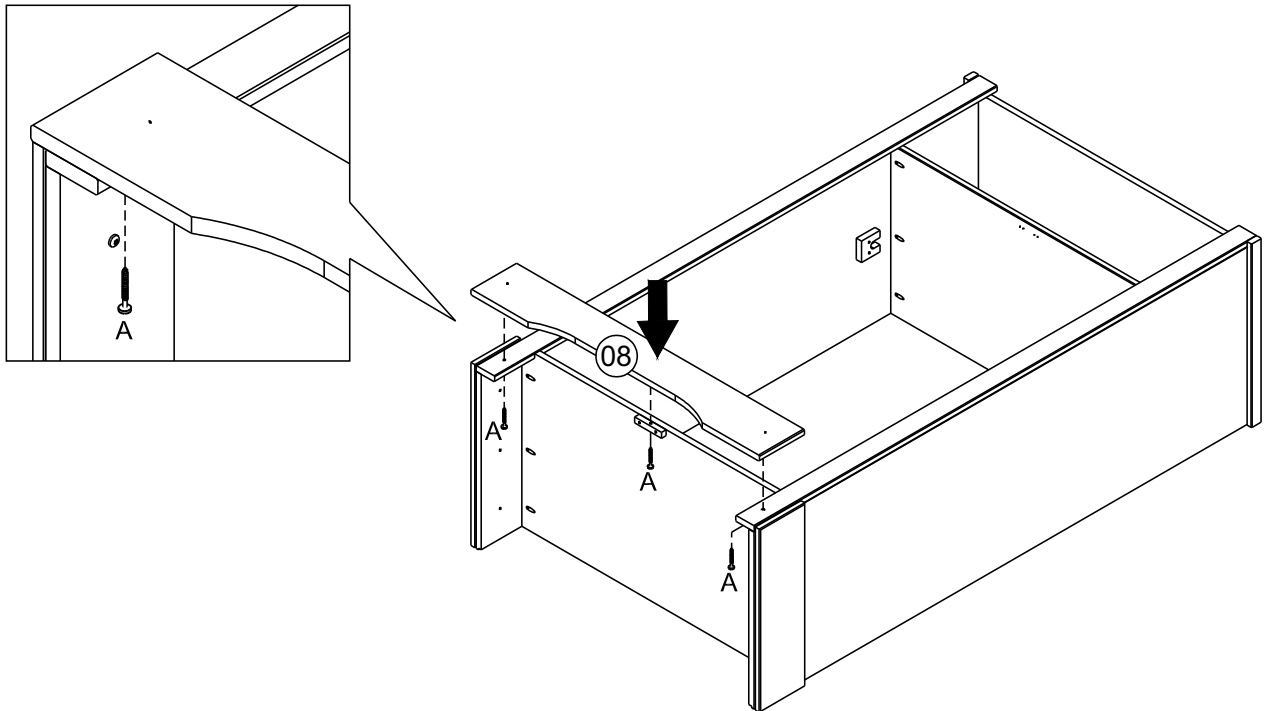
A



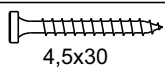
18

! Please note that the smaller panel (1) should be attached at the top

05

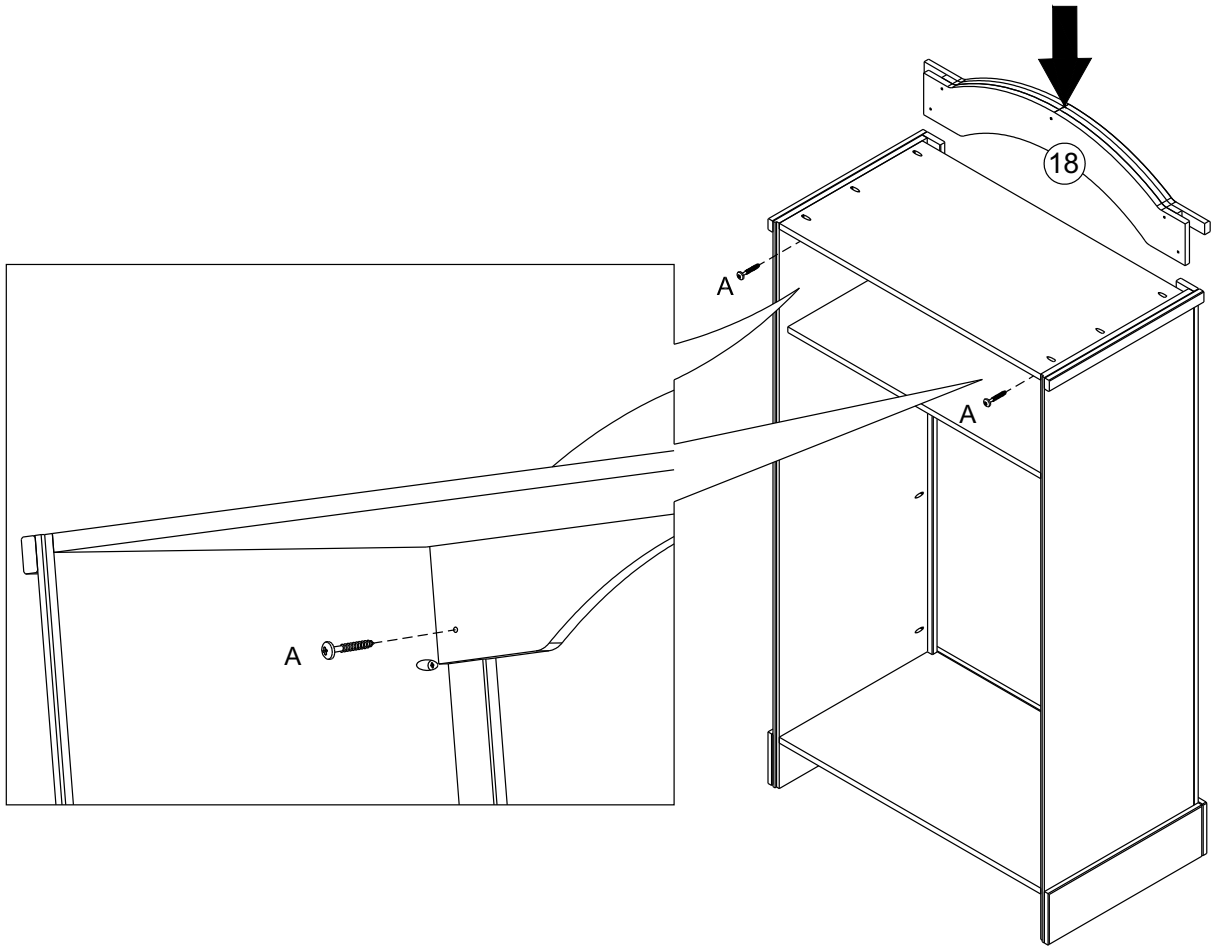


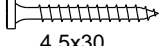
A



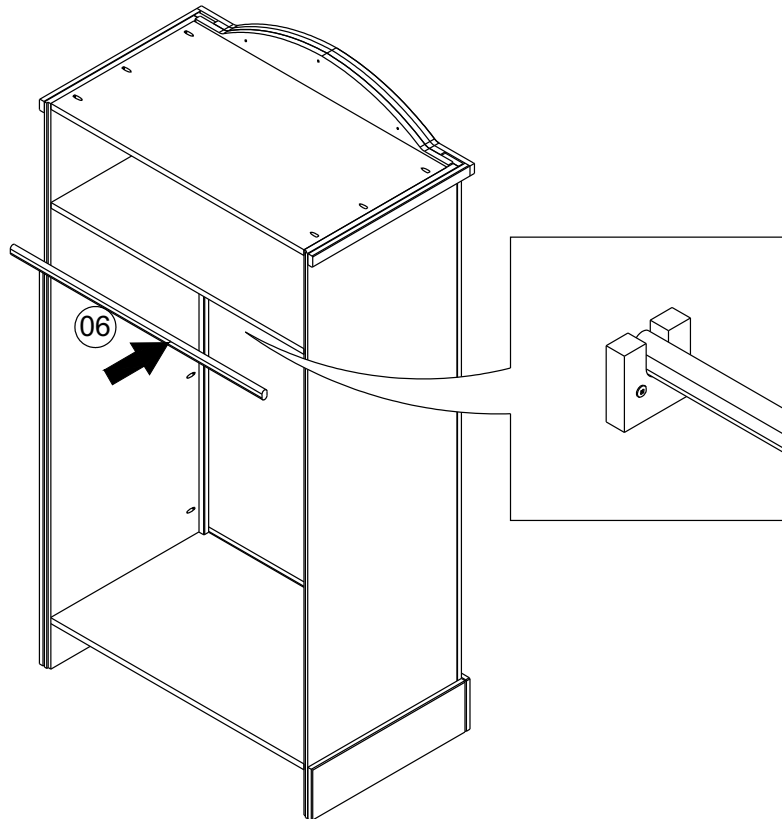
03

06



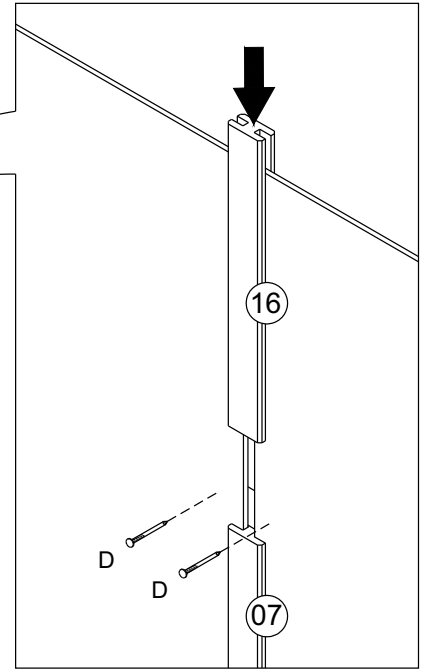
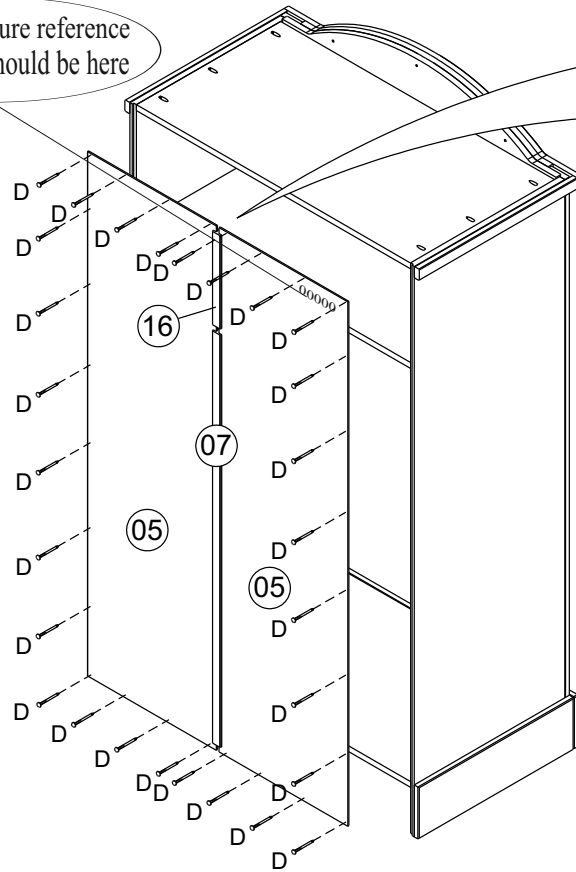
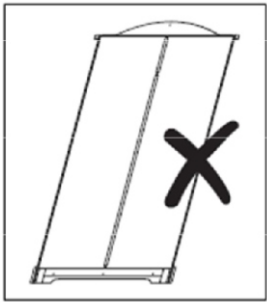
A	 4.5x30	02
---	-----------------------------------------------------------------------------------------------	----

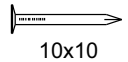
07



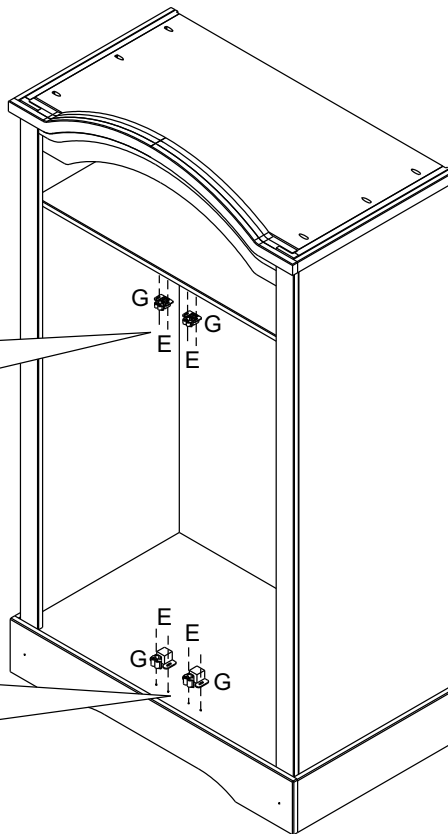
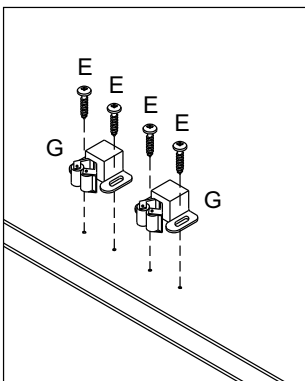
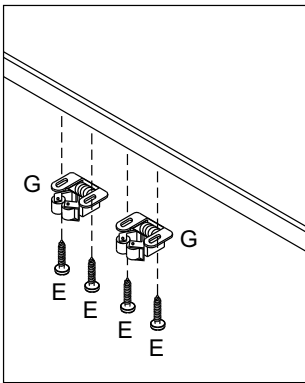
08

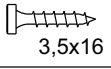
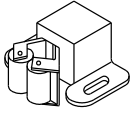
\* For your future reference  
SPD Number should be here




D	 10x10	32
---	-----------------------------------------------------------------------------------------------	----

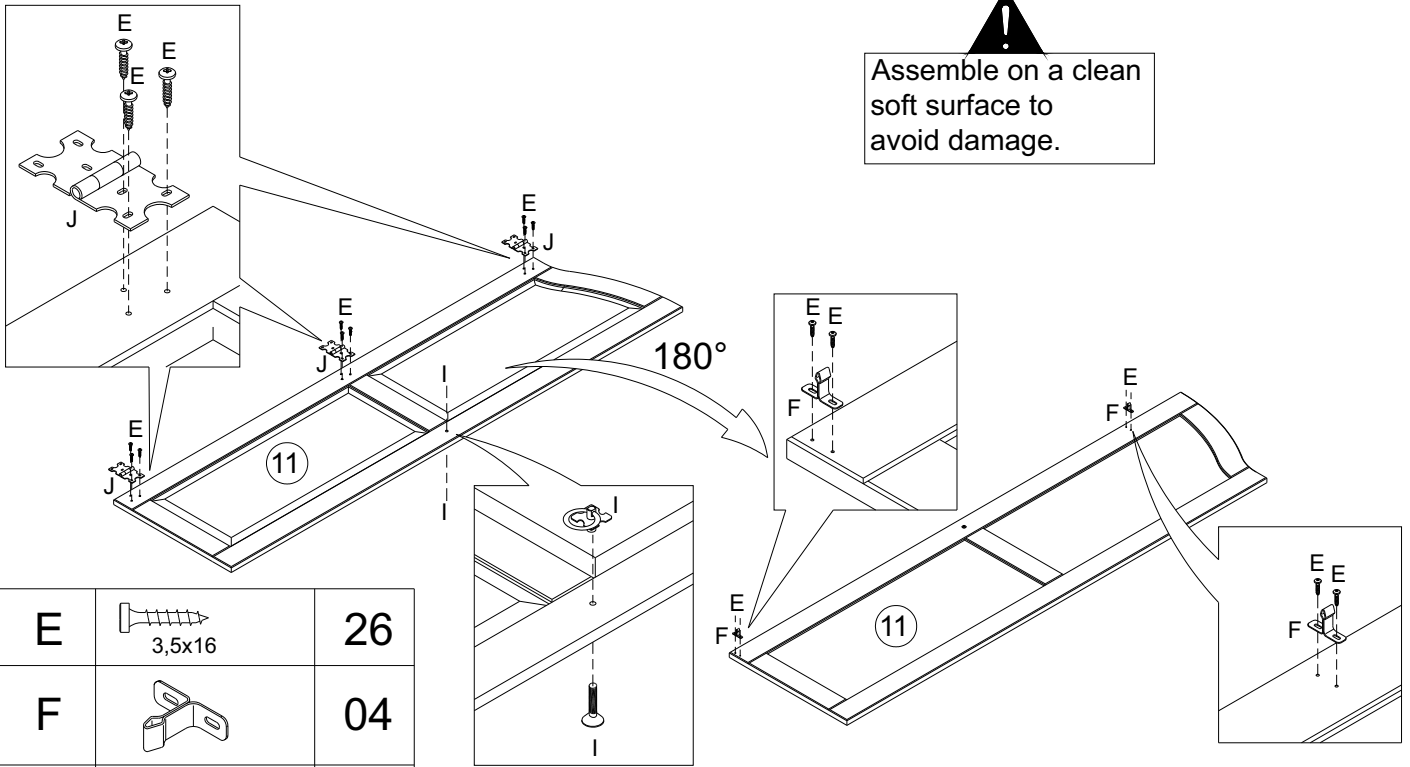
09

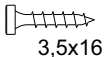
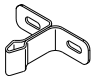
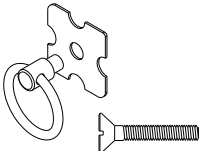
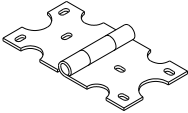
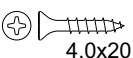


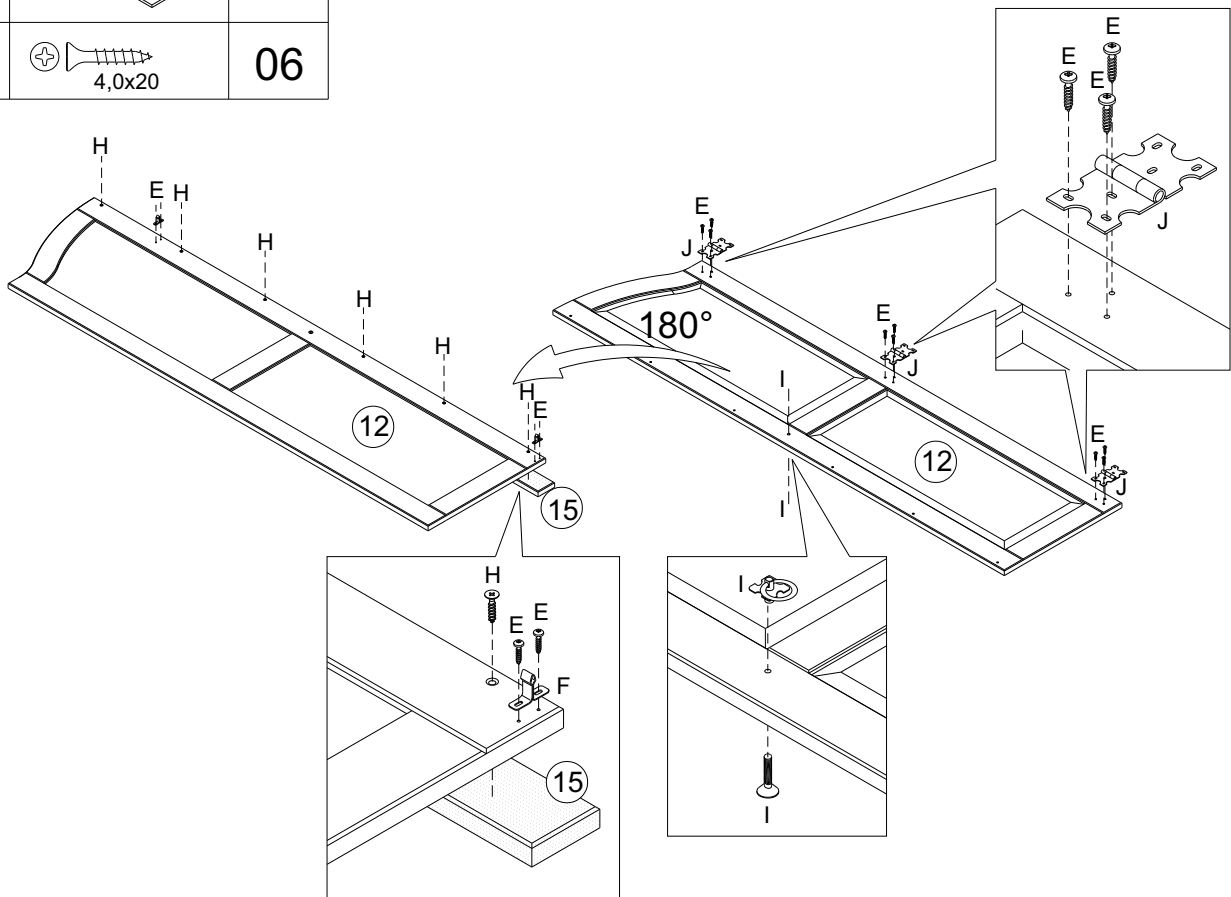
E	 3,5x16	08
G		04

10

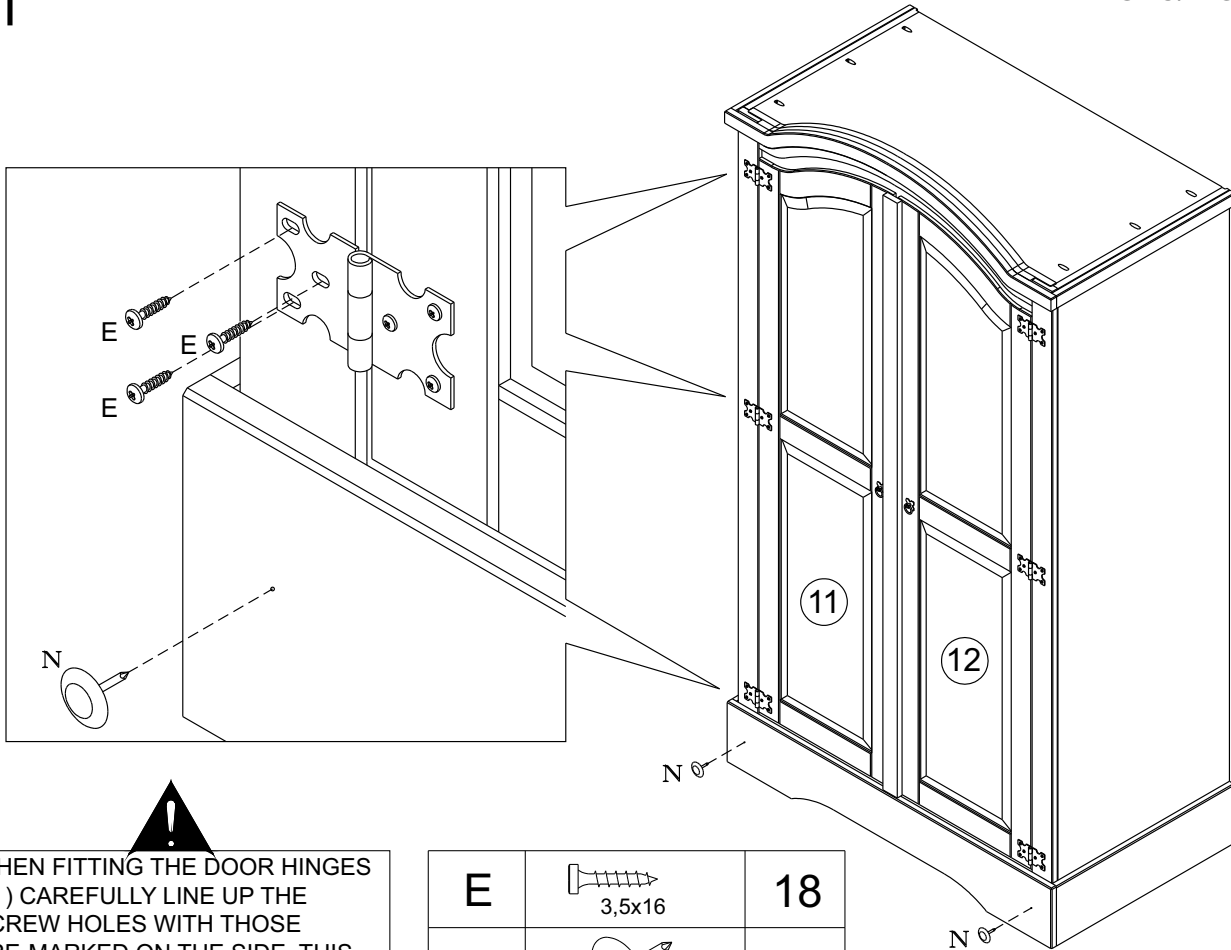
 Assemble on a clean soft surface to avoid damage.



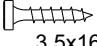

E	 3,5x16	26
F		04
I		02
J		06
H	 4,0x20	06







**!**  
 WHEN FITTING THE DOOR HINGES ( J ) CAREFULLY LINE UP THE SCREW HOLES WITH THOSE PRE-MARKED ON THE SIDE, THIS WILL ENSURE THE DOORS HANG CORRECTLY.

E	 3,5x16	18
N		02

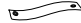
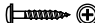

## WARNING

**Serious or fatal injuries can occur from furniture tipping over. To prevent the furniture from tipping over we recommend that it is permanently fixed to the wall.**

Wall fixings are not supplied with this product as different wall materials require different types of fixing devices.

Please make sure you use fixings suitable for the walls in your home.

### HARDWARE LIST

-   
Strap (Anti-Tip Kit)  
(1x)
-   
Wood Screw (Anti-Tip Kit)  
3,5 x 25mm (1x)
-   
Washer (Anti-Tip Kit)  
(2x)

