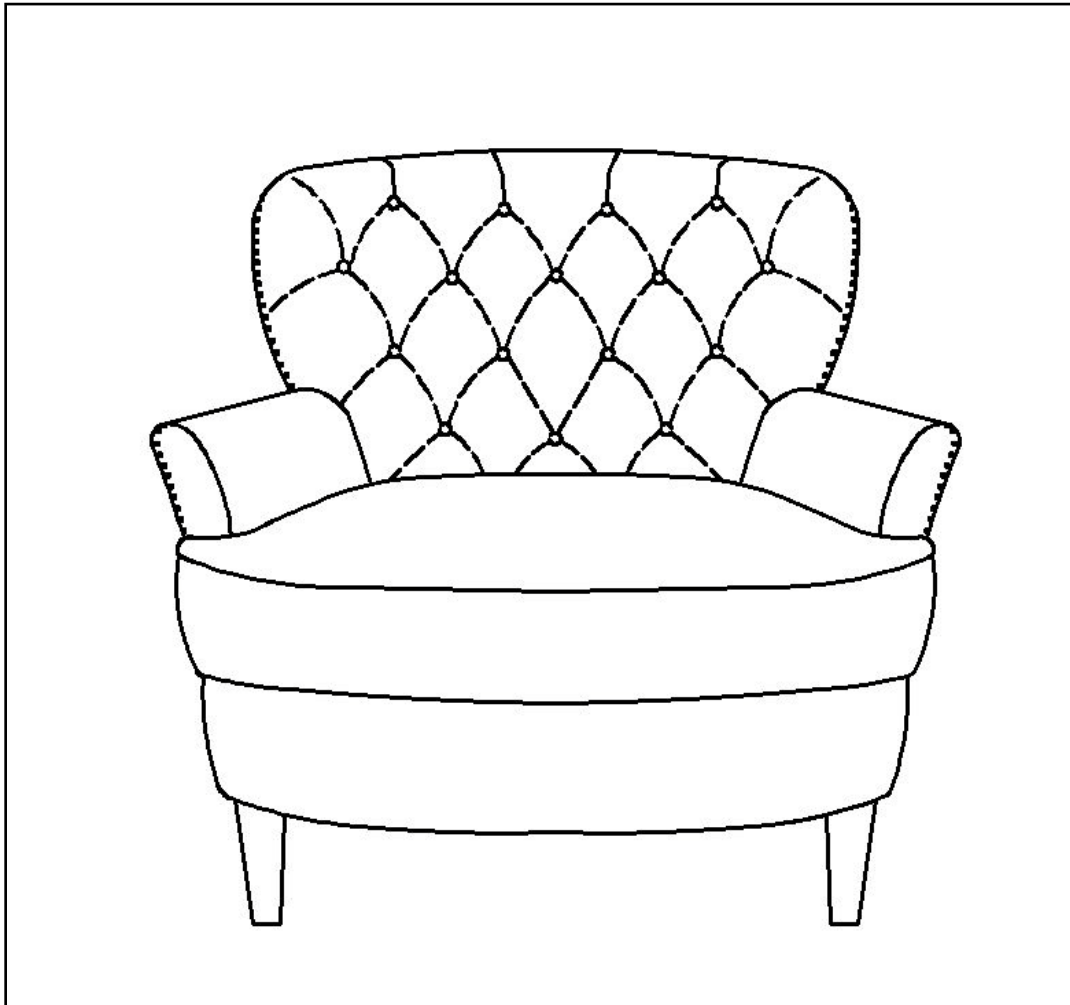





# Assembly Instructions


## Club Chair



## Parts List

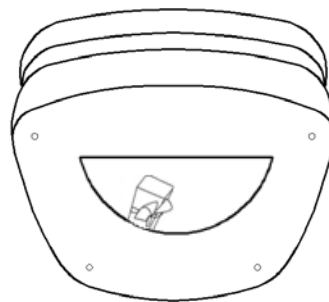
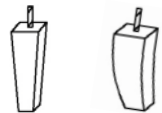
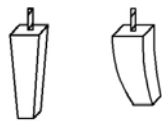
| Label | Picture   | Description       | QTY  |
|-------|---|-------------------|------|
| A     |  | Chair             | 1    |
| B     |  | Front Wooden Legs | 2pcs |
| C     |  | Back Wooden Legs  | 2pcs |

## Hardware

| Label | Picture   | Description | QTY |
|-------|---|-------------|-----|
| 1     |  | Washer Ring | 7   |

## Assembly Preparation

Before Beginning Assembly:



- Read instructions, cover to cover-



- Have 2 adults on hand for assembly-



- Do not assemble on flooring or carpet-



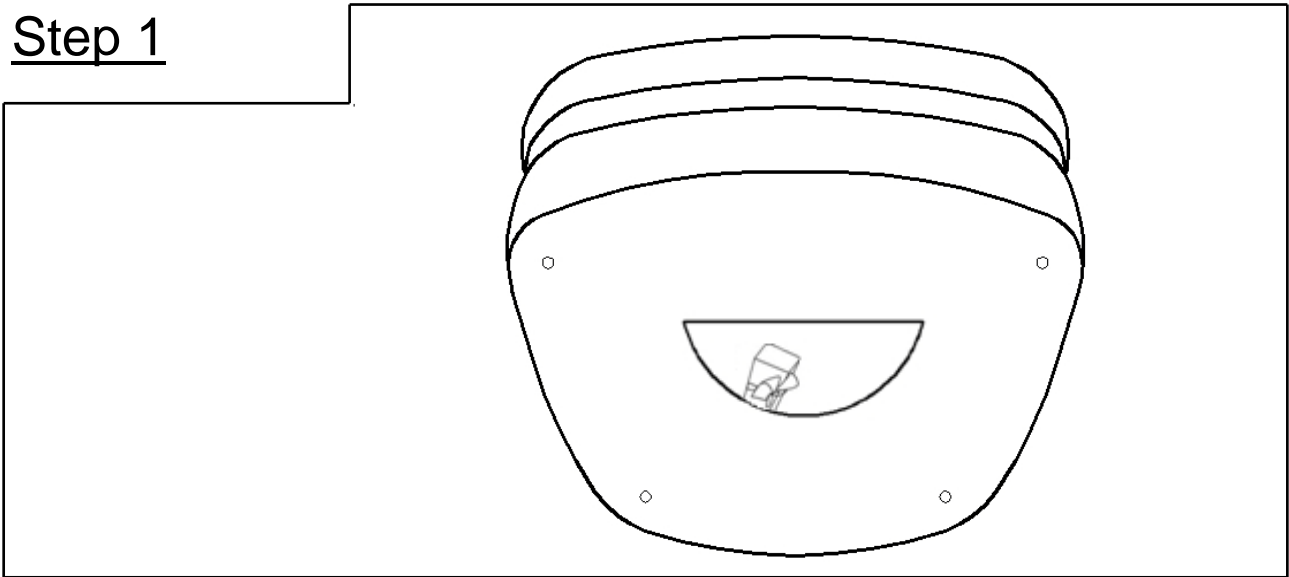
- Assemble on a clean non-marring surface (packing foam)-



- Save all packaging until finished-

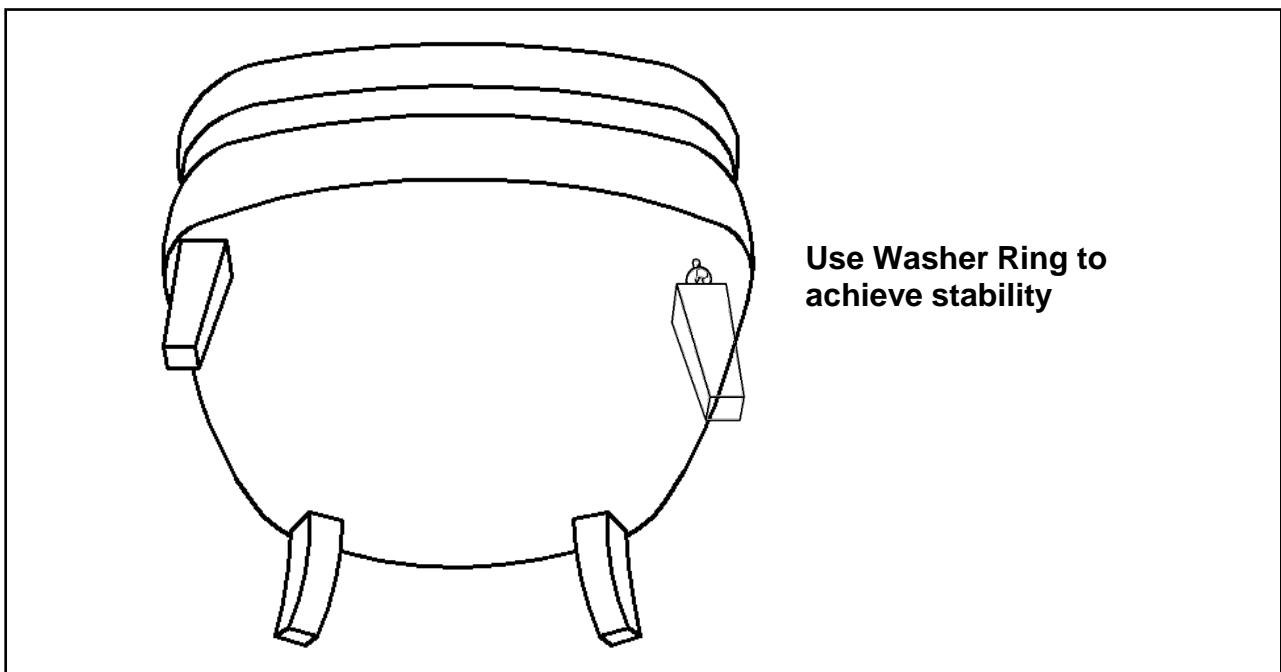
# Assembly Steps

## Step 1



Position the Chair on tis back, as shown.  
Unzip to open and remove the 4 wooden legs. Close the pouch.

## Step 2



Install the B1 leg into the chair front by putting a Washer Ring (optional ) on the threaded stem and then insert the threaded stem into the threaded hole at the corner of the bottom of the chair. Tighten by turning leg clockwise. Repeat the same procedure to install the other 3 remaining legs.