

# SIMPLICITY III

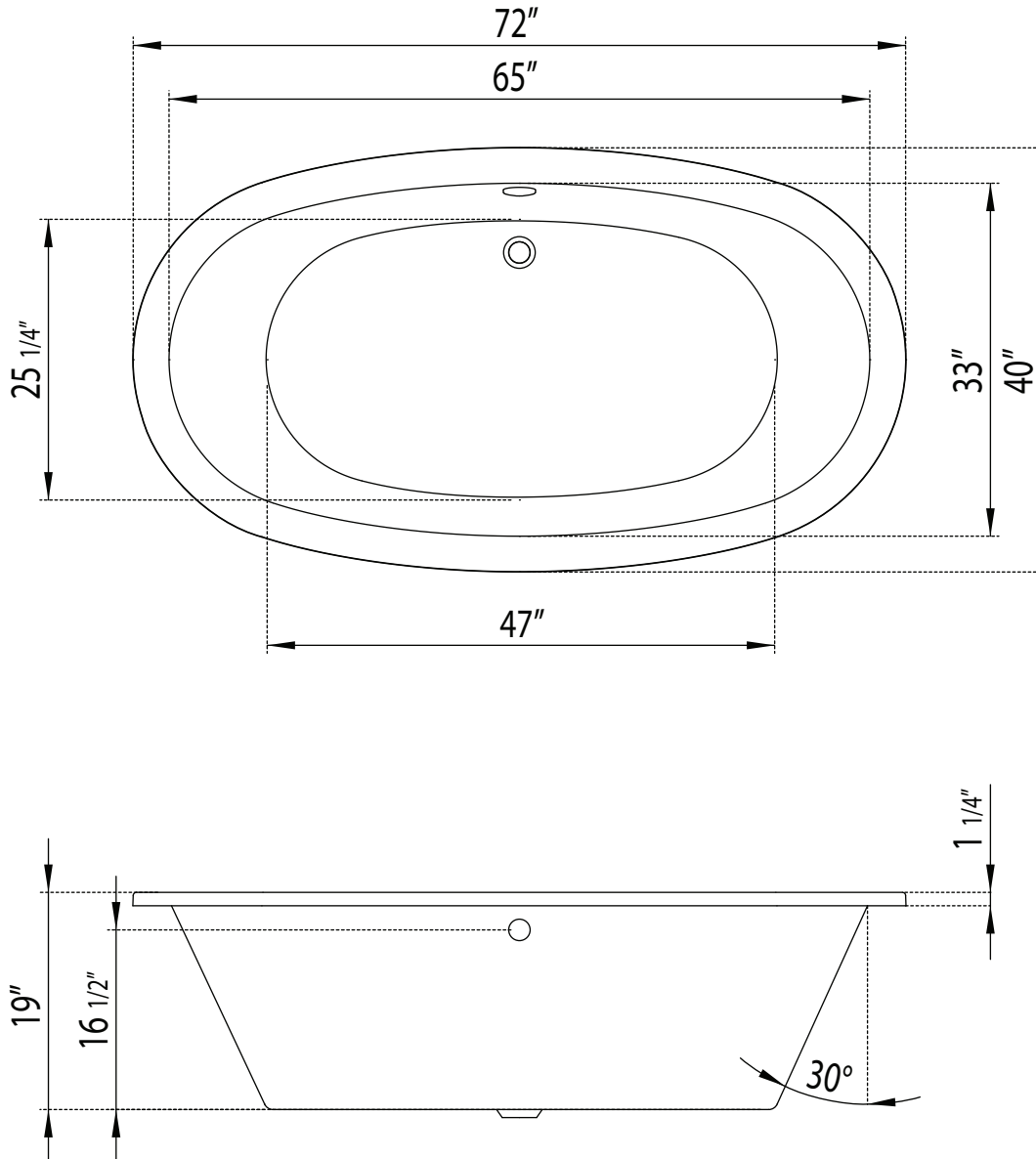
## SPECIFICATION DOCUMENTS

---

Acryline  
spa baths

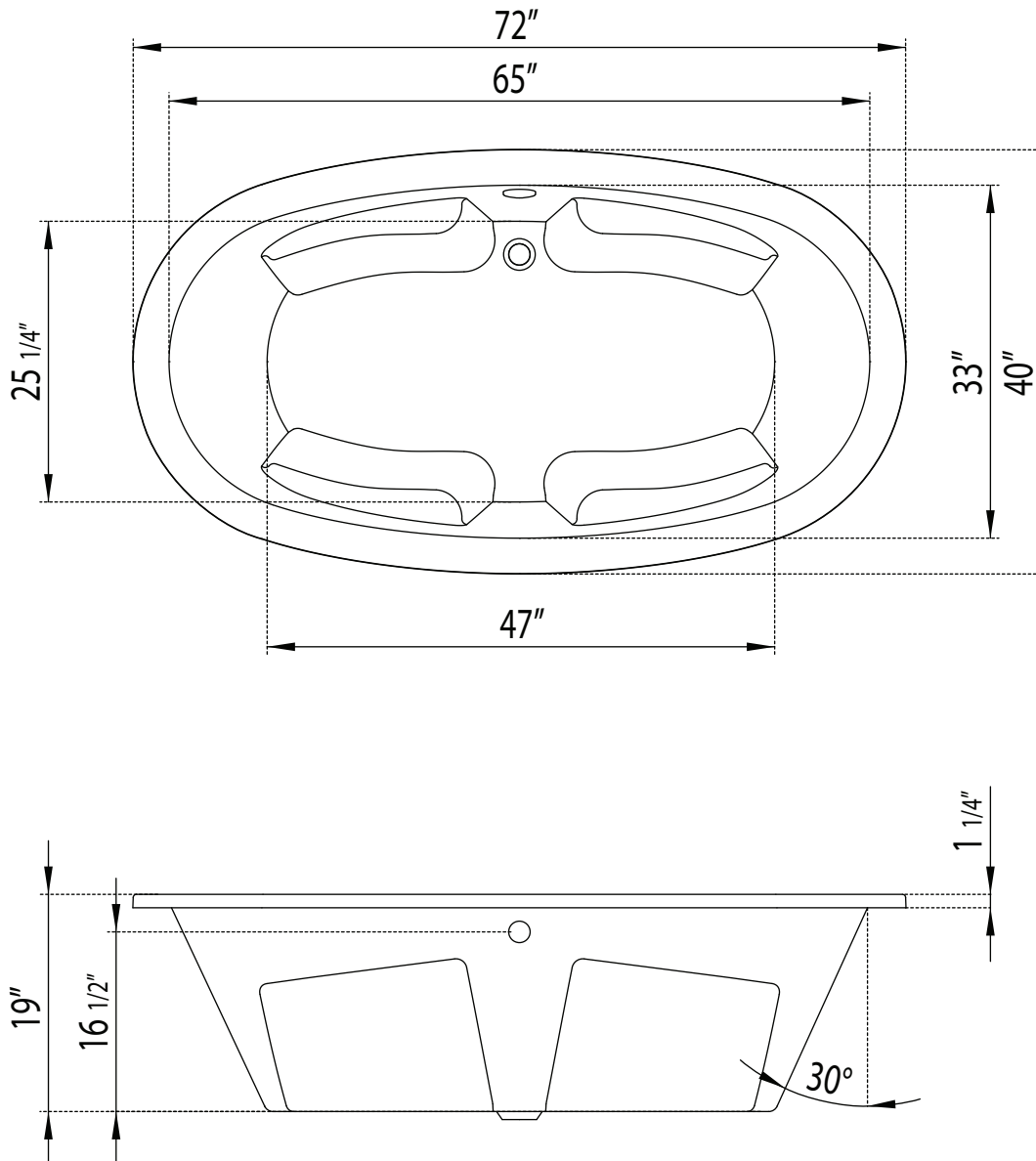


WITHOUT ARMRESTS



**NOTE:** All published dimensions are for reference only. Acryline accepts a 1/4"(0.64 cm) variance. Technical specifications are subject to change when product improvements are performed. All critical dimensions required for installation should be taken directly on the unit being installed.

WITH ARMRESTS



**NOTE:** All published dimensions are for reference only. Acryline accepts a 1/4"(0.64 cm) variance. Technical specifications are subject to change when product improvements are performed. All critical dimensions required for installation should be taken directly on the unit being installed.

# SIMPLICITY III - TECHNICAL SPECIFICATION

SYSTEMS AVAILABLE	STATISTICS	CONFIGURATIONS
<b>True Drain Channel</b> 54 Air Portals - Vigorous massage	<b>Size:</b> 72"L x 40"W x 23 7/8"H	<b>Heated Head/Neck Rest:</b> 1 (with air system baths)
<b>Injection Air</b> 14 Injectors - Light massage	<b>Capacity:</b> 60 US Gal 227 Litres	<b>Armrests:</b> 0, 2 or 4
<b>Ultimate Combination</b> - 54 Air Portals + 14 Injectors - Light to Vigorous massage	<b>No. of Bathers:</b> 2	<b>Raised Seats:</b> 0
<b>CLASSIC COLLECTION</b>	<b>Lumbar Support:</b> 0	<b>Deck Choice:</b> Rolled, Flat or Ogee
<b>Classic True Drain Channel</b> 53 Air Portals - Intermediate to vigorous massage	<b>Water Depth:</b> 16 1/2"	<b>Applications:</b> Drop-in or Undermount
<b>Soaker Bath</b>	*ADD 1 1/2 to Height for rolled rim	

STANDARD FEATURES	OPTIONAL FEATURES
Available in White or Biscuit	<b>Chromatherapy Lights:</b> 2 or 4 LED
1Hp heated blower motor(s) with silencer (1 per system)	<b>Grab Bars:</b> Quantity - 1 or 2 Size - 8 or 12 inch
Rectangular Backlight Deluxe Keypad (Encore Collection)	<b>Tiling Flange:</b> N/A
Wave and Pulse (Encore Collection)	<b>Apron:</b> N/A
Rectangular 3 speed Keypad (Classic Collection)	<b>Relocation Kits / Extension Wires:</b> Up to 12 ft.
Built in 20 min. timer.	<b>Non-Standard Colors:</b> Consult factory for availability
Auto-purge Cycle	<b>Waste &amp; Overflow:</b> Available in white Chrome or Brushed Nickel
	<b>Remote Control:</b> Replaces Backlight Deluxe Keypad (Encore Collection only)
	<b>Faucets:</b> Soto Wallmount Tub Filler With Handshower (Chrome)

## STANDARDS

ANSI Z124.1 / CSA B45.5-02, CSA B45.0-02, UL1795 Third Edition, Rev. Sept.2006 CSA C22.2 No.218.2-93 (R2004) ASME A112.19.7

## ELECTRICAL REQUIREMENTS

Single system baths require a dedicated 15A, 120V, circuit protected by a ground fault circuit interrupter. (GFCI)  
Ultimate Combination system baths require 2 dedicated 15A, 120V, circuits protected by a ground fault circuit interrupter. (GFCI) Always consult local electrical code for requirements

## NOTES

All published dimensions are for reference only. Acryline accepts a 1/4"(0.64 cm) variance. Technical specifications are subject to change when product improvements are performed. All critical dimensions required for installation should be taken directly on the unit being installed.

## WARRANTY\*

**Encore Collection:** Acrylic: **20 Years** // Blower motor(s): **5 Years** // Control(s): **2 Years**    **Classic Collection:** Acrylic: **5 Years** // Blower motor(s): **1 Year** // Control(s): **1 Year**

\* Some restrictions apply. Copy available upon request.

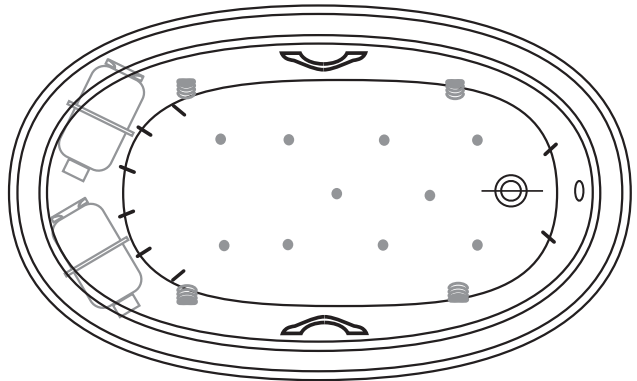
# SIMPLICITY III - ORDER FORM



STANDARD OPTIONS	
<b>Application</b>	<input type="radio"/> Alcove <input type="radio"/> Drop-In <input checked="" type="radio"/> Undermount
<b>Color of Bath</b>	<input type="radio"/> White <input type="radio"/> Biscuit
<b>Deck</b>	<input type="radio"/> Flat <input type="radio"/> Rolled <input type="radio"/> Ogee
<b>Armrests</b>	<input type="radio"/> 0 <input type="radio"/> 2 <input type="radio"/> 4

ACCESSORIES
<input type="radio"/> Soto Wallmount Tub Filler w/Handshower Chrome (optional)
Waste & Overflow (optional) <input type="radio"/> Chrome <input type="radio"/> Brushed Nickel

**SIMPLICITY III**



LEGEND	FEATURES	ENCORE COLLECTION	CLASSIC COLLECTION
--------	----------	-------------------	--------------------

	<b>System</b>	<input type="radio"/> True Drain <input type="radio"/> Injection Air <input type="radio"/> Ultimate Combination	<input type="radio"/> True Drain <input type="radio"/> Soaker Bath
	<b>Keypad Trim(s)</b> <sup>Ⓜ</sup>	<input type="radio"/> White <input type="radio"/> Biscuit <input type="radio"/> Chrome <input type="radio"/> Brushed Nickel	
	<b>Remote Control</b> <sup>+</sup>	<input type="radio"/> White Only <i>(The Remote Control option replaces the keypad - Indicate desired docking position on the bath drawing drawing)</i>	
	<b>3 Speed Keypad</b> <sup>++</sup>	<input type="radio"/> White <input type="radio"/> Biscuit <i>(Field Installation Required)</i>	
	<b>Injector Trim(s)</b> <sup>ⓂⓂ</sup>	<input type="radio"/> White <input type="radio"/> Biscuit <input type="radio"/> Chrome <input type="radio"/> Brushed Nickel <input type="radio"/> Mini Chrome/White <input type="radio"/> Mini Brushed Nickel/White	
	<b>Chromotherapy</b> (optional)	<input type="radio"/> 2 Lights <input type="radio"/> 4 Lights <i>(If 2 Lights; indicate desired position on above drawing)</i>	
	<b>Acrylic Grab Bar(s)</b> (optional)	<input type="radio"/> 1x 8in.* <input type="radio"/> 2x 8in. <input type="radio"/> 1x 12in.* <input type="radio"/> 2x 12in. <b>Color:</b> _____ <i>*Indicate location on above drawing</i>	
	<b>Waterfall Fill Spout</b> (optional)	<input type="radio"/> A <input type="radio"/> B <i>(See drawing)</i>	
	<b>Overflow Side</b>	<input type="radio"/> A <input type="radio"/> B <i>(See drawing)</i>	
	<b>Acrylic Apron</b> (optional)	<input type="radio"/> Easy Access* <input type="radio"/> Standard Rectangular** <input type="radio"/> Corner** <i>* Factory installed ** Field installation required</i>	
	<b>Tiling Flange</b> (optional)	<input type="radio"/> Fiberglass <i>Factory Installed. Indicate location on above drawing</i> <input type="radio"/> PVC <i>(Field installation required)</i>	
	<b>Blower 12 ft. Relocation Kit</b>	<input type="radio"/> x1 <input type="radio"/> x2 <i>Includes air hose, wire, and necessary hardware</i>	
	<b>Pillow</b>	<input type="radio"/> x1	

+ (with True Drain® Air Channel or Injector System ;not applicable for Ultimate Combo or Classic Collection)    Ⓜ (does not apply to remote control)  
 ++ (only with classic collection)    ⓂⓂ (for injector & ultimate combo air system)

**Signature** \_\_\_\_\_ **Printed Name** \_\_\_\_\_ **Date (dd/mm/yy)** \_\_\_\_\_