

SF630(P)



Display size
10"- 29"



Max load
80lb (36kg)

SMARTMOUNT

Flat Wall Mount

FOR 10" TO 29" DISPLAYS

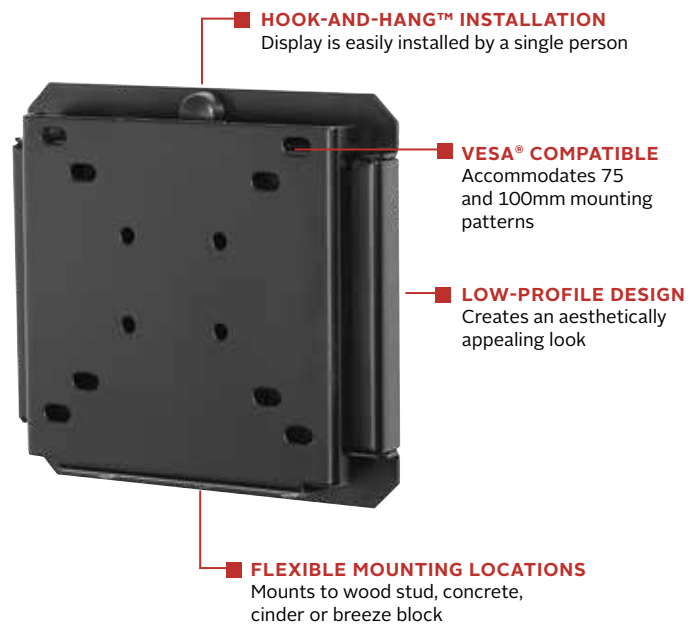
The SmartMount® Flat Wall Mount series offers the most versatile installation features and mounting options. The SF630(P) models low-profile design offers the sleek, aesthetically pleasing look to fit into any décor. Security screws provided in the SF630 model deter tampering and theft. The display can now simply be installed by a single person with the Hook-and-Hang™ system. The Easy-Glide™ adaptors hook onto the wall plate for an overall quick, simple, and secure installation.

The SF630's design positions the display just 0.96" from the wall, perfect for almost any low-profile application.



Additional Features

- ✓ Slim design positions the display only 0.96" (24mm) from the wall
- ✓ Display adaptor simply slides into the wall plate for quick and easy installation
- ✓ Mount accommodates displays with VESA® 75 and 100mm hole patterns
- ✓ Includes all necessary wall and display attachment hardware
- ✓ Integrated security options available
- ✓ Design is UL listed and tested to four times stated load capacity



* Requires display to be removed and reset on mount



Please visit peerless-av.com/en-us/patents for patent information.



Low-profile design for a sleek, yet compact installation



Model Numbers

WARRANTY: Limited 5-year

SF630P SmartMount® Flat Wall Mount for 10" to 29" Displays - standard models
SF630 SmartMount® Flat Wall Mount for 10" to 29" Displays - security models

Product Specifications

	DIMENSIONS (W x H x D)	PRODUCT WEIGHT	LOAD CAPACITY	FINISH	AVAILABLE COLORS
SF630(P)	6.02" x 5.75" x 0.96" (153 x 146 x 24mm)	1.55lb (0.70kg)	80lb (36kg)	Scratch resistant fused epoxy	Semi-gloss black

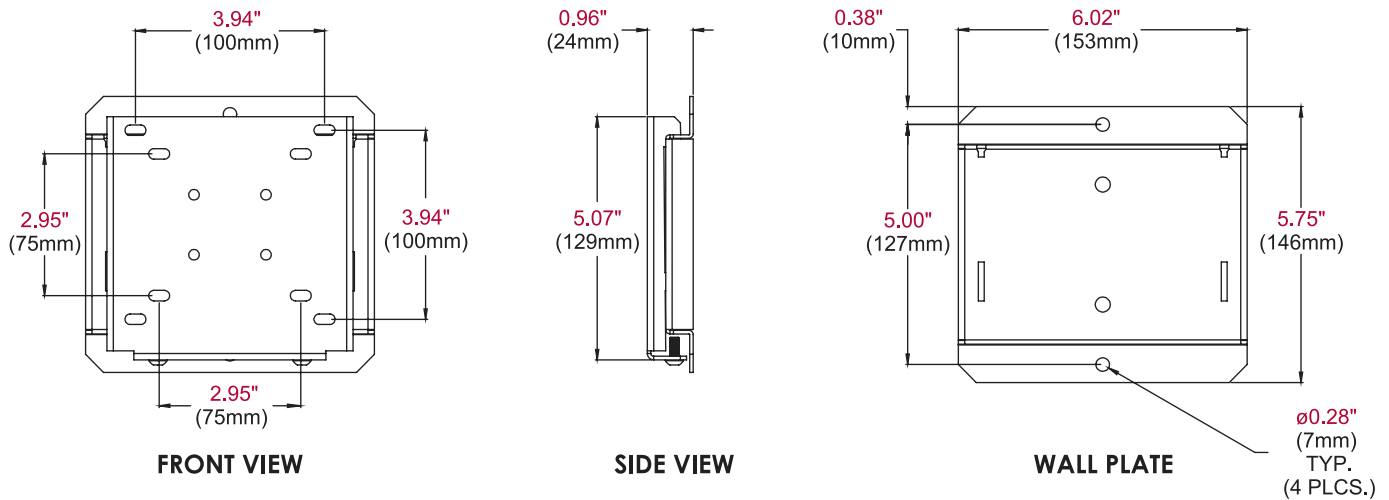
Package Specifications

	PACKAGE SIZE (W x H x D)	PACKAGE SHIP WEIGHT	PACKAGE UPC CODE	PACKAGE CONTENTS	UNITS IN PACKAGE
SF630(P)	9.38" x 2.90" x 8.25" (238 x 74 x 210mm)	2.2lb (1.0kg)	SF630: 735029236191 SF630P: 735029236214	Wall mount, wall and display installation hardware, installation instructions	1

Accessories

ACC215: Metal Stud Fastener Kit

All dimensions = **inch** (mm)



Architect Specifications

The Smartmount® Flat Wall Mount shall be a Peerless-AV model SF630(P) and shall be located where indicated on the plans. Assembly and installation shall be done according to instructions provided by the manufacturer.

Visit peerless-av.com to see the complete line of AV solutions from Peerless-AV, including outdoor displays, wireless, kiosks, digital audio, display mounts, projector mounts, carts/stands, and a full assortment of accessories.

Peerless-AV
 2300 White Oak Circle
 Aurora, IL 60502 USA
(800) 865-2112
(630) 375-5100
Fax: (800) 359-6500

Peerless-AV Europe
 Unit 3 Watford Interchange
 Colonial Way, Watford
 Herts, WD24 4WP
 United Kingdom
+44 (0) 1923 200100
Fax: +44 (0) 1923 200101

Peerless-AV de México
 Ave de las Industrias 413
 Parque Industrial Escobedo
 Escobedo, N.L.,
 Mexico 66050
+52 (81) 8384-8300
Fax: +52 (81) 8384-8360

peerless-AV®

LIT-0598 rev.2