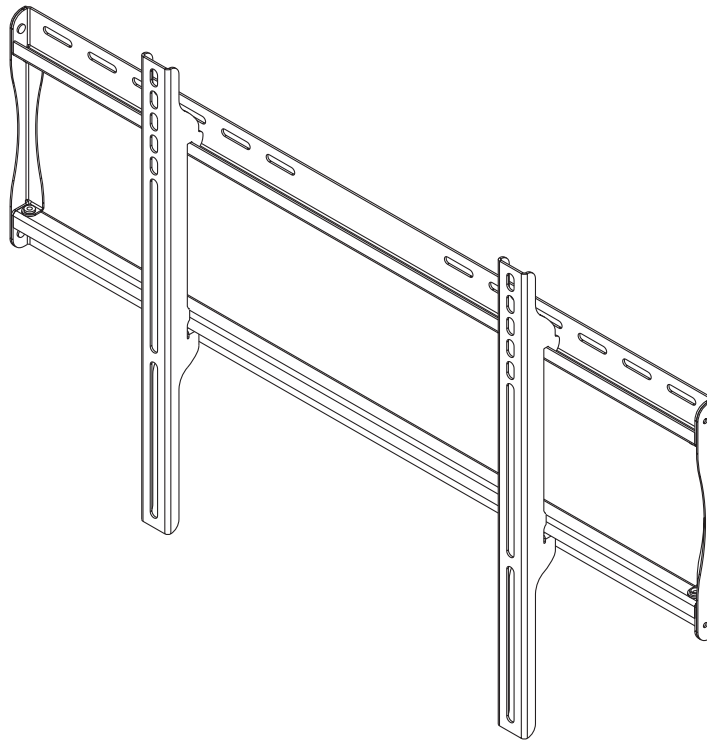


## Installation and Assembly: Smartmount® Universal Flat Wall Mount for 37" to 60" Flat Panel Screens

**Models:** D-FPF-320, D-FPF-320S, SF660, SF660-S,  
SF660P, SF660P-S, RTFPF-320, RTFPF-320I, C  
RTFPF-320S, RTFPF-320SI



This product is intended for use with UL Listed products and must be installed by a qualified professional installer.



**Maximum UL Load Capacity:** 200 lb (91kg)

### Features:

- Screen held only 1.75" from wall for a discreet application
- Open wall plate design allows for additional wall access, increasing electrical access and cable management options
- Universal screen mounting brackets hook onto the wall plate for quick, easy, and safe installation
- Includes Sorted-For-You™ fastener pack for installation to wood studs, concrete and cinder block
- Optional horizontal adjustment of up to 8" (depending on screen model) for perfect screen placement
- Available in black and silver

**NOTE:** Read entire instruction sheet before you start installation and assembly.

## ⚠ WARNING

- Do not begin to install your Peerless product until you have read and understood the instructions and warnings contained in this Installation Sheet. If you have any questions regarding any of the instructions or warnings, please call Peerless customer care at 1-800-865-2112.
- This product should only be installed by someone of good mechanical aptitude, has experience with basic building construction, and fully understands these instructions.
- Make sure that the supporting surface will safely support the combined load of the equipment and all attached hardware and components.
- Never exceed the Maximum UL Load Capacity. See page one.
- If mounting to wood wall studs, make sure that mounting screws are anchored into the center of the studs. Use of an "edge to edge" stud finder is highly recommended.
- Always use an assistant or mechanical lifting equipment to safely lift and position equipment.
- Tighten screws firmly, but do not overtighten. Overtightening can damage the items, greatly reducing their holding power.
- This product was designed and intended to be mounted to the following supporting surfaces checked below with the hardware included in this product as specified in the installation sheet. To mount this product to an alternative supporting surface, contact Peerless customer care at 1-800-865-2112.
- This product was designed to be installed on the following wall construction only;

### WALL CONSTRUCTION

### ADDITIONAL HARDWARE REQUIRED

<input checked="" type="checkbox"/> Wood Stud	None
<input checked="" type="checkbox"/> Wood Beam	None
<input checked="" type="checkbox"/> Solid Concrete	None
<input checked="" type="checkbox"/> Cinder Block	None
<input type="checkbox"/> Metal Stud	Do not attach except with Peerless accessory kit for metal studs; Contact Customer Service for Peerless accessory kit for metal studs.
<input type="checkbox"/> Brick	Contact Customer Service
<input type="checkbox"/> Other or unsure?	Contact Customer Service

## Tools Needed for Assembly

- stud finder ("edge to edge" stud finder is recommended)
- phillips screwdriver
- drill
- 1/4" bit for concrete and cinder block wall
- 1/2" bit for metal stud wall
- 5/32" bit for wood stud wall
- level

## Accessories

- ACC415 - Metal Stud Fastener Kit (Metal Stud not evaluated by UL)
- SCS222 - SmartMount® Component Shelf

## Table of Contents

Parts List .....	3
Installation to Double Wood Stud Wall .....	4
Installation to Solid Concrete or Cinder Block .....	5
Installing Adapter Brackets .....	6
Mounting and Removing Flat Panel Screen .....	8

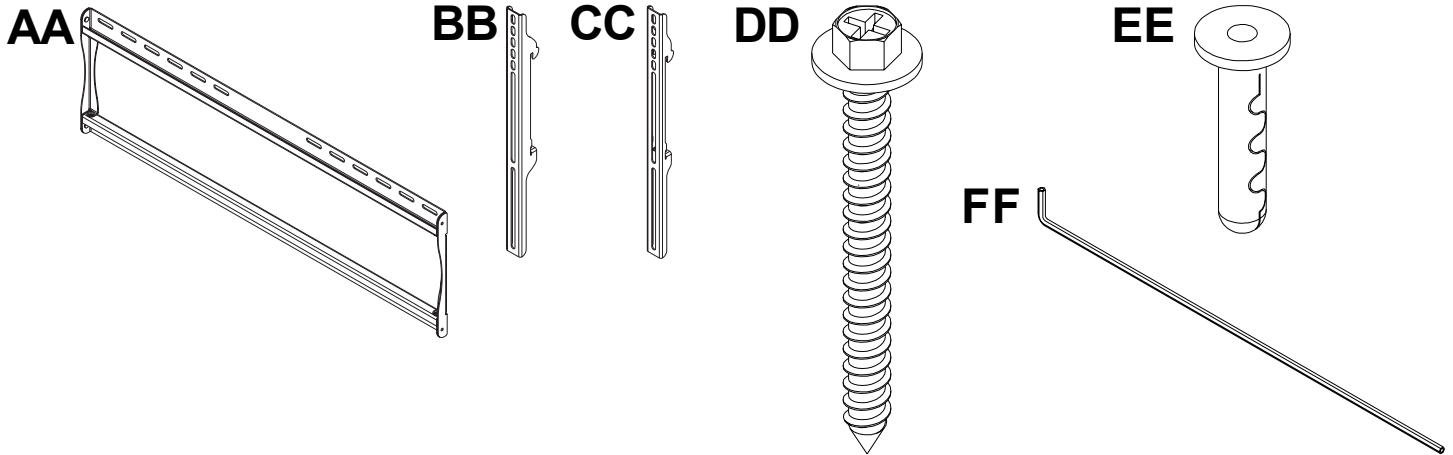
*For customer care call (800) 865-2112 or (708) 865-8870.*

Before you begin, make sure all parts shown are included with your product.

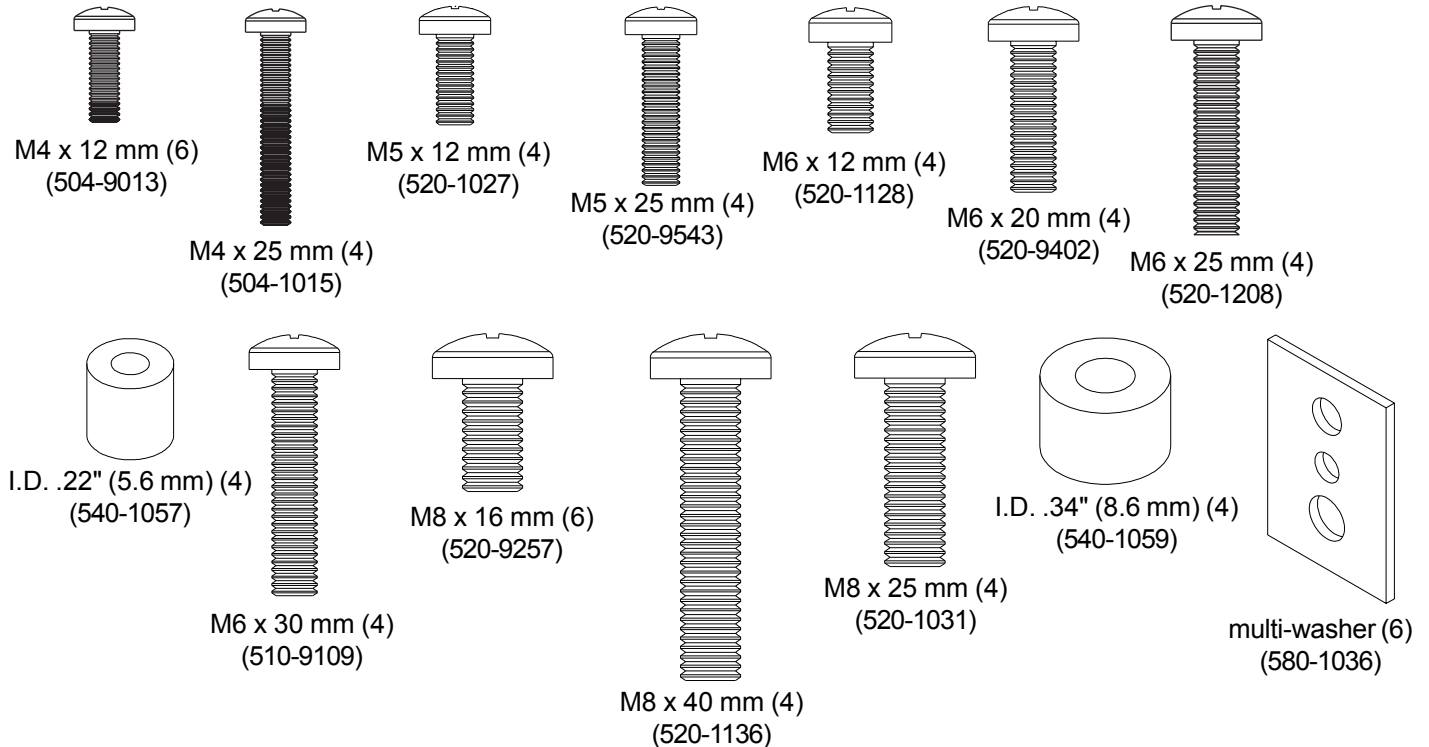
## Parts List

Description	Qty.	Security		Non-Security	
		Number	Number	Number	Number
<b>AA</b> wall plate	1	201-1503	201-4503	201-1503	201-4503
<b>BB</b> deep adapter bracket	2	201-1510	201-4510	201-1513	201-4513
<b>CC</b> shallow adapter bracket	2	201-1511	201-4511	201-1514	201-4514
<b>DD</b> #14 x 2.5" wood screw	4	5S1-015-C03	5S1-015-C03	5S1-015-C03	5S1-015-C03
<b>EE</b> Alligator <sup>®</sup> anchor	4	590-0097	590-0097	590-0097	590-0097
<b>FF</b> 4 mm allen wrench	1	560-1146	560-1146	560-1146	560-1146

Parts may appear slightly different than illustrated.



## Adapter Bracket Fasteners



## Installation to Double Wood Stud Wall

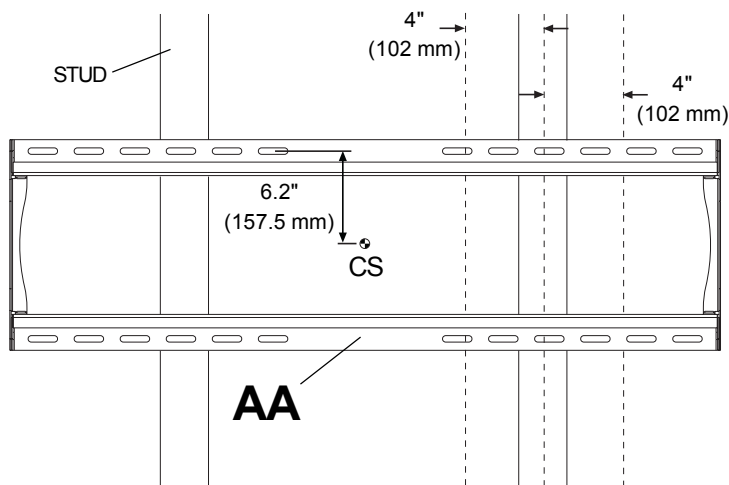
### ⚠ WARNING

- Installer must verify that the supporting surface will safely support the combined load of the equipment and all attached hardware and components.
- Tighten wood screws so that wall plate is firmly attached, but do not overtighten. Overtightening can damage the screws, greatly reducing their holding power.
- Never tighten in excess of 80 in. • lb (9 N.M.).
- Make sure that mounting screws are anchored into the center of the stud. The use of an "edge to edge" stud finder is highly recommended.
- Hardware provided is for attachment of mount through standard thickness drywall or plaster into wood studs. Installers are responsible to provide hardware for other types of mounting situations.

- 1 Wall plate (**AA**) can be mounted to two studs that are 16" apart. Use a stud finder to locate the edges of the studs. Use of an edge-to-edge stud finder is highly recommended. Based on their edges, draw a vertical line down each stud's center. Place wall plate on wall as a template. The top mounting slots should be located 6.2" (157.5 mm) above the desired screen center as shown in figure 1.1. Level plate, and mark the center of the four mounting holes. Make sure that the mounting holes are on the stud centerlines. Drill four 5/32" (4 mm) dia. holes 2-1/2" (65 mm) deep. Make sure that the wall plate is level, secure it using four #14 x 2.5" wood screws (**DD**) as shown in figure 1.2.

**NOTE:** Wall plate may be mounted up to 4" (102 mm) off center as shown in figure 1.1.

*Skip to step 2.*



CS = center of screen

fig. 1.1

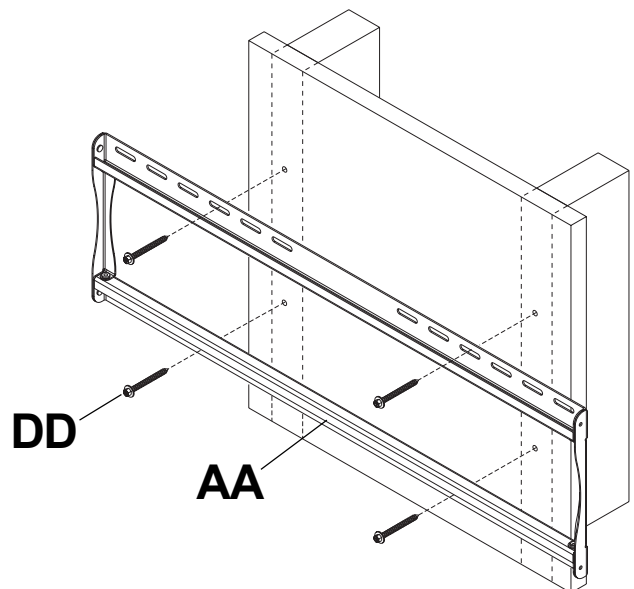


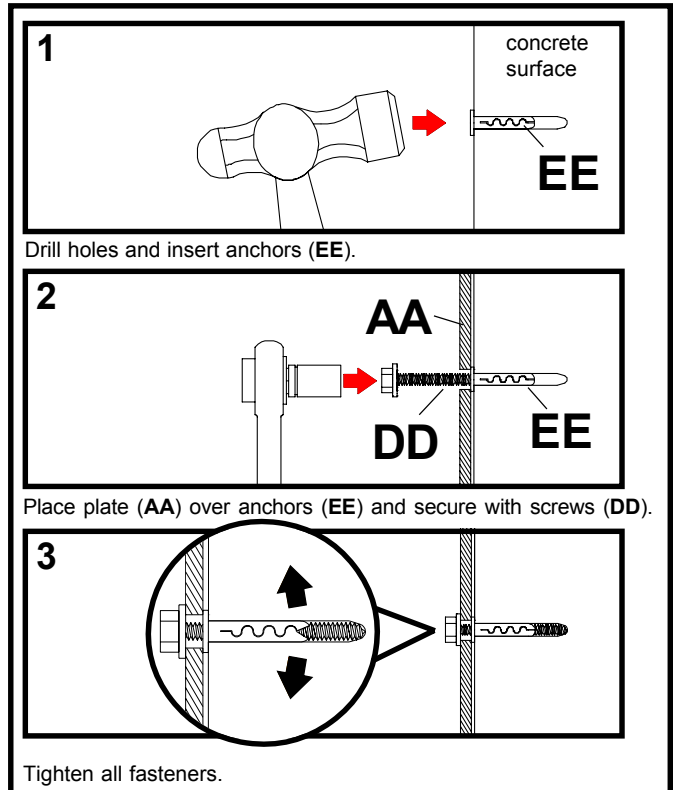
fig. 1.2

# Installation to Solid Concrete or Cinder Block

## ⚠ WARNING

- When installing Peerless wall mounts on cinder block, verify that you have a minimum of 1-3/8" of actual concrete thickness in the hole to be used for the concrete anchors. Do not drill into mortar joints! Be sure to mount in a solid part of the block, generally 1" minimum from the side of the block. Cinder block must meet ASTM C-90 specifications. It is suggested that a standard electric drill on slow setting is used to drill the hole instead of a hammer drill to avoid breaking out the back of the hole when entering a void or cavity.
- Concrete must be 2000 psi density minimum. Lighter density concrete may not hold concrete anchor.
- Installer must verify that the supporting surface will safely support the combined load of the equipment and all attached hardware and components.

- 1** Make sure that wall plate (AA) is level, use it as a template to mark four mounting holes. The top mounting slots should be located 4.07" (103 mm) above the desired screen center as shown in figure 1.1 on page 4. Drill four 1/4" (6 mm) dia. holes to a minimum depth of 2.5" (65 mm). Insert anchors (EE) in holes flush with wall as shown (right). Place wall plate over anchors and secure with #14 x 2.5" screws (DD). Level, then tighten all fasteners.

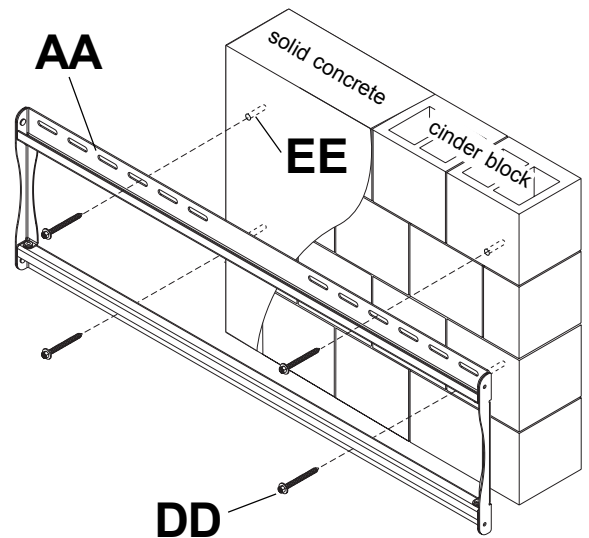
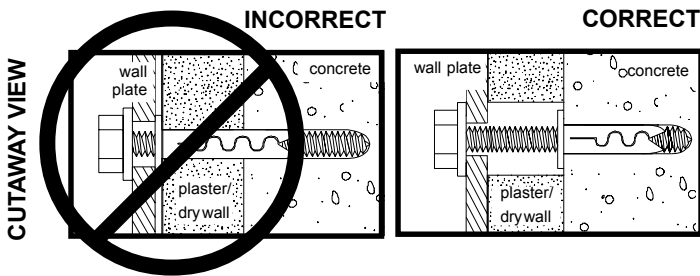


## ⚠ WARNING

- Tighten screws so that wall plate is firmly attached, but do not overtighten. Overtightening can damage screws, greatly reducing their holding power.
- Never tighten in excess of 80 in. • lb (9 N.M.).

## ⚠ WARNING

- Always attach concrete anchors directly to load-bearing concrete.
- Never attach concrete anchors to concrete covered with plaster, drywall, or other finishing material. If mounting to concrete surfaces covered with a finishing surface is unavoidable, the finishing surface must be counterbored as shown below. Be sure concrete anchors do not pull away from concrete when tightening screws. If plaster/drywall is thicker than 5/8", custom fasteners must be supplied by installer. (Not evaluated by UL)



# Installing Adapter Brackets

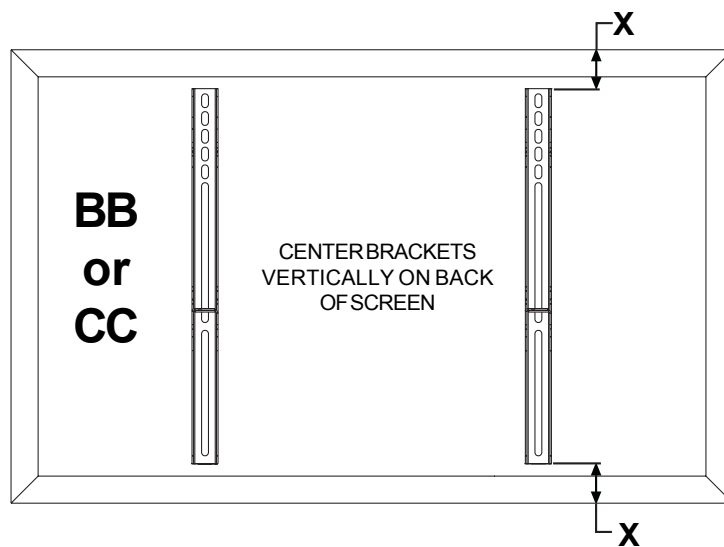
## ⚠ WARNING

- Tighten screws so adapter brackets are firmly attached. Do not tighten with excessive force. Overtightening can cause stress damage to screws, greatly reducing their holding power and possibly causing screw heads to become detached. Tighten to 40 in. • lb (4.5 N.M.) maximum torque.
- If screws don't get three complete turns in the screen inserts or if screws bottom out and bracket is still not tightly secured, damage may occur to screen or product may fail.

**2** To prevent scratching the screen, set a cloth on a flat, level surface that will support the weight of the screen. Place screen face side down. If screen has knobs on the back, remove them to allow the adapter brackets to be attached. Place adapter brackets (**BB** or **CC**) on back of screen, align to holes, and center on back of screen as shown below. Attach the adapter brackets to the back of the screen using the appropriate combination of screws, multi-washers, and spacers as shown in figure 2.1 or 2.2.

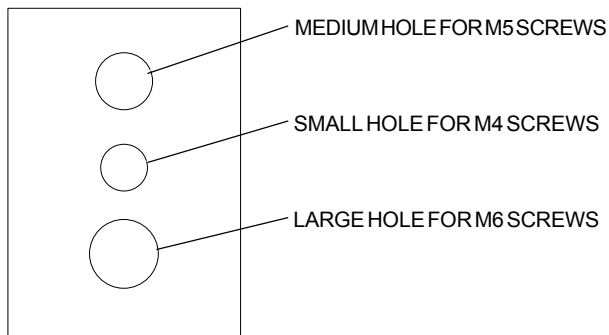
**NOTE:** Top and bottom holes must always be used.

Verify that all holes are properly aligned, and then tighten screws using a phillips screwdriver.



**NOTE:** "X" dimensions should be equal.

### MULTI-WASHER



### Notes:

- The number of fasteners used will vary, depending upon the type of screen.
- Multi-washers and spacers may not be used, depending upon the type of screen.
- Use the corresponding hole in the multi-washer that matches your screw size.

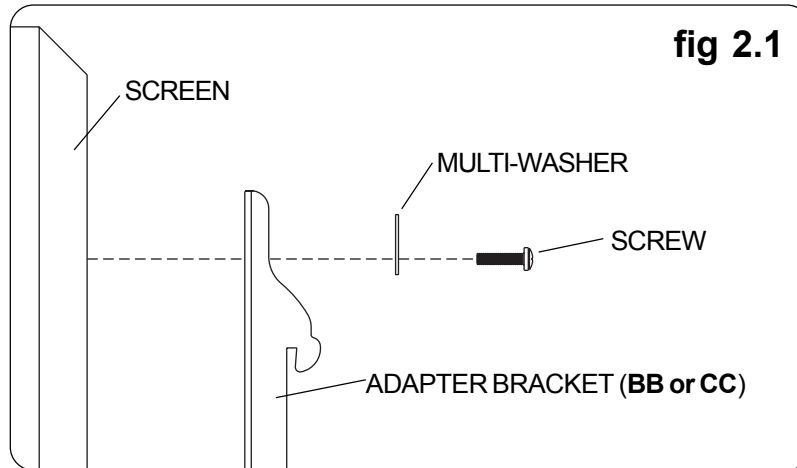
**NOTE:** For **flat back screens** proceed to step 2-1. For **bump-out or recessed back screen** skip to step 2-2.

## For Flat Back Screen

**2-1** Refer to **Screen Compatibility Chart** to determine the proper fastener to use. Visit [www.peerlessmounts.com/6](http://www.peerlessmounts.com/6) for a full screen compatibility chart for this mount.

Begin with the shortest length screw, hand thread through multi-washer and adapter bracket (**BB or CC**) into screen as shown below. Screw must make at least three full turns into the mounting hole and fit snug into place. Do not over tighten. If screw cannot make three full turns into the screen, select a longer length screw from the baffled fastener pack. Repeat for remaining mounting holes, level brackets and tighten screws.

**NOTE:** Spacers may not be used, depending upon the type of screen.

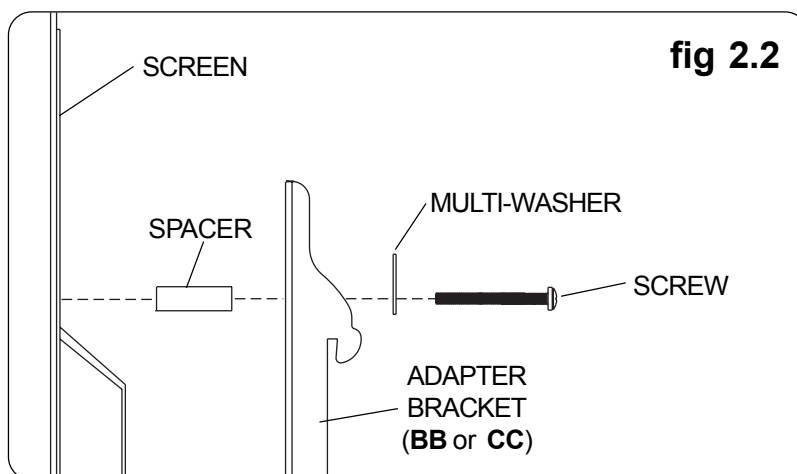


If you have any questions, please call Peerless customer care at **1-800-865-2112**.

## For Bump-out or Recessed Back Screen

**2-2** Refer to **Screen Compatibility Chart** to determine the proper fastener to use. Visit [www.peerlessmounts.com/6](http://www.peerlessmounts.com/6) for a full screen compatibility chart for this mount.

Begin with longer length screw, hand thread through multi-washer, adapter bracket (**BB or CC**) and spacer in that order into screen as shown below. Screw must make at least three full turns into the mounting hole and fit snug into place. Do not over tighten. If screw cannot make three full turns into the screen, select a longer length screw from the baffled fastener pack. Repeat for remaining mounting holes, level brackets and tighten screws.



If you have any questions, please call Peerless customer care at **1-800-865-2112**.

# Mounting and Removing Flat Panel Screen

## ⚠ WARNING

- Always use an assistant or mechanical lifting equipment to safely lift and position the flat panel screen.

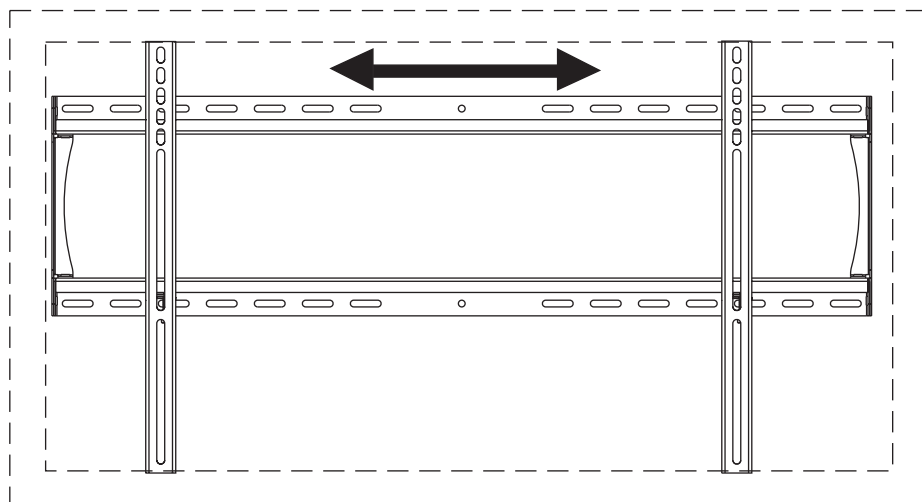
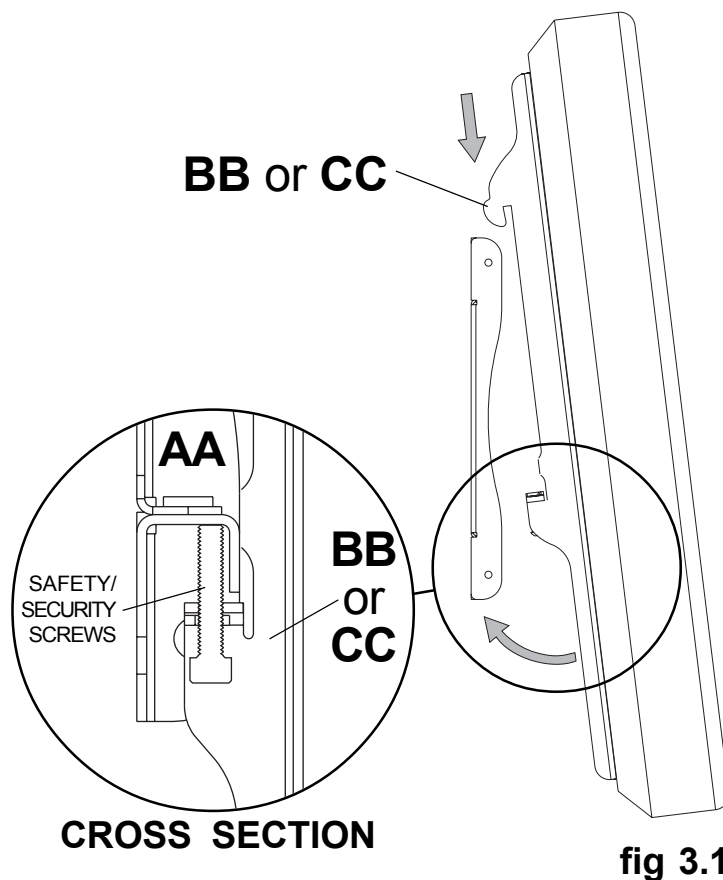
**3** Hook adapter brackets (**BB or CC**) onto wall plate (**AA**). Then slowly swing screen in as shown. Turn safety/security screws, using security allen wrench (**FF**), clockwise at least six times to prevent screen from being removed as shown in cross section of fig. 3.1. Screen can be adjusted horizontally if desired as shown in figure 3.2.

**NOTE:** To lock the screen down, tighten safety/security screws to wall plate as shown in cross section.

To remove screen from mount, loosen safety/security screws, swing screen away from mount, and lift screen off of mount.

## CAUTION

- Do not tighten screws with excessive force. Overtightening can cause damage to mount. Tighten screws to 40 in. • lb (4.5 N.M.) maximum torque.





# peerless®

# SmartMount®

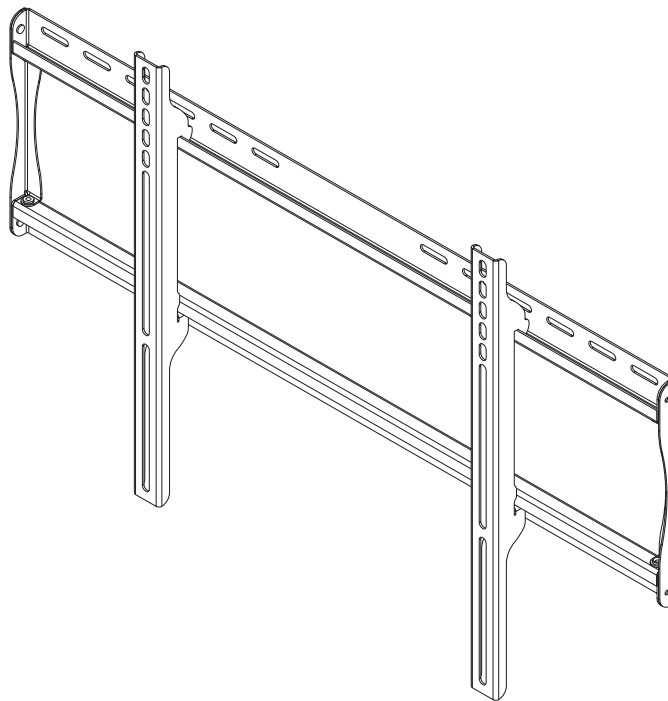
## Instalación y ensamblaje:

## Soporte universal de pared plano SmartMount® para pantallas planas de 37" a 60"

Modelos: D-FPF-320, D-FPF-320S, SF660, SF660-S, SF660P, SF660P-S, RTFPF-320, RTFPF-320I, RTFPF-320S, RTFPF-320SI



Ce produit est homologué UL. Il doit être installé par u installateur professionnel qualifié.



**Máxima capacidad de carga UL: 200 lb (91kg)**

### Características:

- Sostiene el televisor a sólo 1.75" de la pared para proporcionar una instalación discreta
- El diseño abierto de la placa de pared permite más acceso a la pared y aumenta las opciones de acceso eléctrico y de manejo de cables
- Los soportes universales de montaje para pantallas se enganchan a la placa de pared para proporcionar una instalación rápida, fácil y segura
- Incluye el paquete de sujetadores Sorted-For-You™ para instalaciones en montantes de madera, concreto y bloques de hormigón de escorias
- Ajuste horizontal opcional de hasta 8" (dependiendo del modelo de la pantalla) para la colocación perfecta de la pantalla
- A la venta en color negro y plateado

**NOTA:** Lea toda la hoja de instrucciones antes de iniciar la instalación y el montaje.

## ⚠ **ADVERTENCIA**

- No comience a instalar su producto de Peerless hasta haber leído y entendido las instrucciones y las advertencias contenidas en la Hoja de Instalación. Si tiene alguna pregunta acerca de cualquiera de las instrucciones o las advertencias, por favor, llame a Servicio al Cliente de Peerless al 1-800-865-2112.
- Este producto sólo debe ser instalado por una persona que tenga una aptitud mecánica, que tenga experiencia en construcción básica de edificios y que entienda estas instrucciones en su totalidad.
- Asegúrese de que la superficie de apoyo sostendrá, con seguridad, la carga combinada del equipo y todos los fijadores y componentes.
- Nunca sobrepase la capacidad máxima de soportar carga aceptada por Underwriters Laboratories. (Vea la página 9).
- Si va a instalar el producto en una pared con montantes de madera, asegúrese de que los tornillos de montaje estén anclados en el centro de los montantes. Se recomienda utilizar un localizador de montantes de "borde a borde".
- Siempre cuente con la ayuda de un asistente o utilice un equipo mecánico de izar para levantar y colocar el equipo con más seguridad.
- Apriete los tornillos con firmeza, pero no en exceso. Apretarlos en exceso puede dañar los artículos y puede disminuir significativamente su fuerza de fijación.
- Este producto fue diseñado con la intención de que se instale en las superficies de apoyo marcadas abajo con los accesorios de instalación incluidos en este producto como se especifica en la hoja de instalación. Para instalar este producto en otra superficie de apoyo, llame a Servicio al Cliente de Peerless al 1-800-865-2112.
- Este producto fue diseñado para ser instalado en paredes con la siguiente construcción solamente:

### **CONSTRUCCIÓN DE LA PARED**

### **ACCESORIOS ADICIONALES NECESARIOS**

<input checked="" type="checkbox"/> Montante de madera	Ninguno
<input checked="" type="checkbox"/> Viga de madera	Ninguno
<input checked="" type="checkbox"/> Concreto macizo	Ninguno
<input checked="" type="checkbox"/> Bloque de hormigón de escorias	Ninguno
<input type="checkbox"/> Montante de metal	No lo instale excepto con el juego de accesorios de Peerless para montantes de metal. Llame a Servicio al Cliente para pedir el juego de accesorios de Peerless para montantes de metal.
<input type="checkbox"/> Ladrillo	Comuníquese con Servicio al Cliente.
<input type="checkbox"/> ¿Otra superficie o no está seguro?	Comuníquese con Servicio al Cliente.

## Herramientas necesarias para el ensamblaje

- localizador de montantes (se recomienda uno de "borde a borde")
- destornillador phillips
- taladro
- broca de 1/4" para paredes de concreto y de bloque de hormigón de escorias
- broca de 1/2" para paredes con montantes de metal
- broca de 5/32" para paredes con montantes de madera
- nivel

## Accesorios

- ACC415 - Juego de accesorios de piezas para la fijación en montantes de metal (El montante de metal no ha sido evaluado por UL)
- SCS222 - Repisa para componentes - SmartMount®

## Tabla de contenido

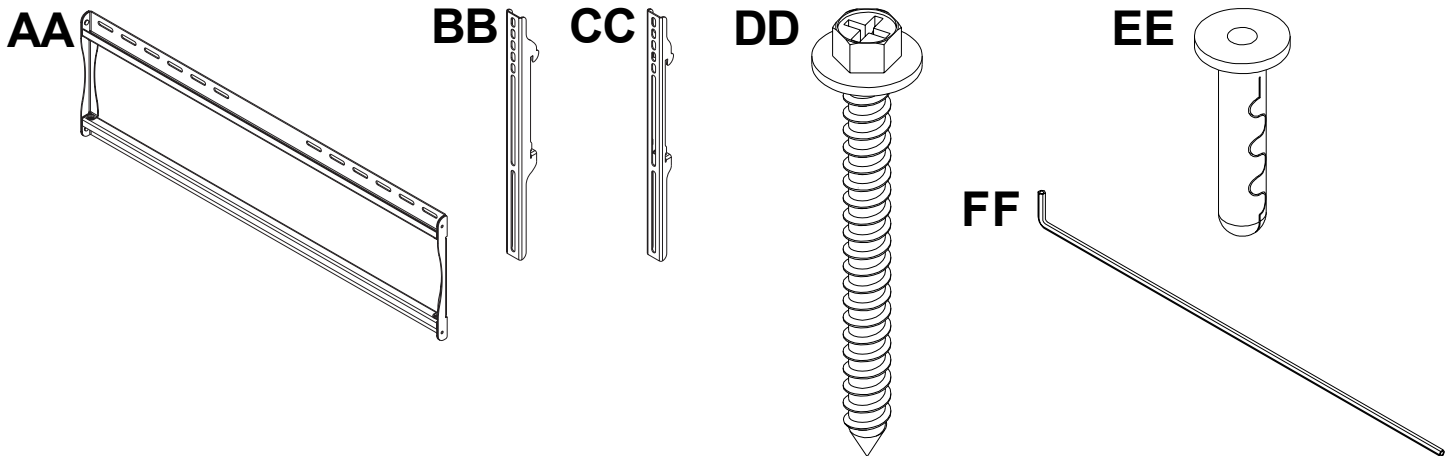
Lista de piezas .....	11
Instalación en una pared con montantes de madera dobles .....	12
Instalación en una pared de concreto macizo o de bloques de hormigón de escorias .....	13
Instalación de los soportes adaptadores .....	14
Instalación y desinstalación de la pantalla plana .....	16

Antes de comenzar, asegúrese de que su producto contiene todas las piezas que se muestran.

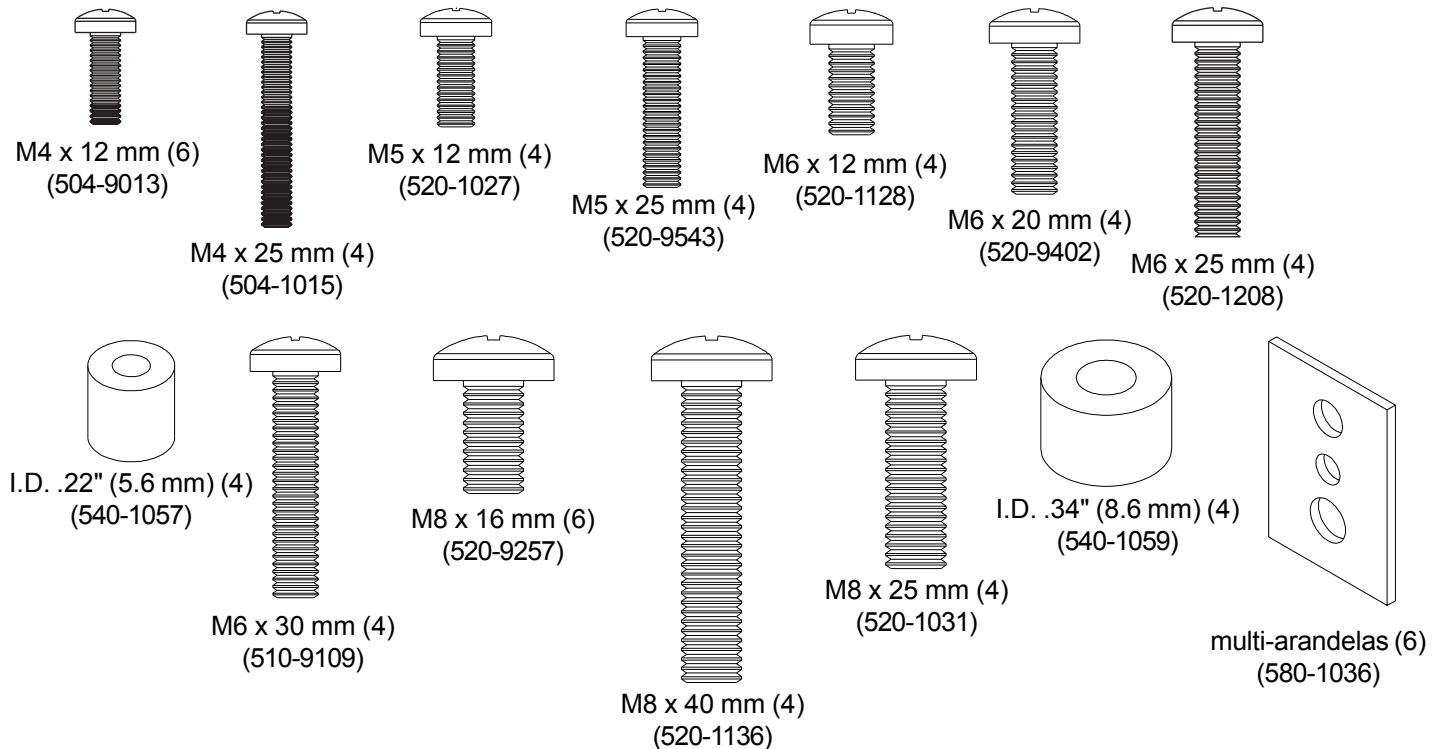
## Lista de piezas

Descripción	Cantidad	Aseguradora		No aseguradora	
		N.º de pieza negra	N.º de pieza plateada	N.º de pieza negra	N.º de pieza plateada
AA placa de pared	1	201-1503	201-4503	201-1503	201-4503
BB soporte adaptador de mucha profundidad	2	201-1510	201-4510	201-1513	201-4513
CC soporte adaptador de poca profundidad	2	201-1511	201-4511	201-1514	201-4514
DD tornillo para madera de 14 x 2.5"	4	5S1-015-C03	5S1-015-C03	5S1-015-C03	5S1-015-C03
EE anclaje alligator®	4	590-0097	590-0097	590-0097	590-0097
FF llave allen de 4 mm	1	560-1146	560-1146	560-1146	560-1146

Las piezas podrían verse ligeramente diferentes a las ilustradas.



## Fijaciones para los soportes adaptadores



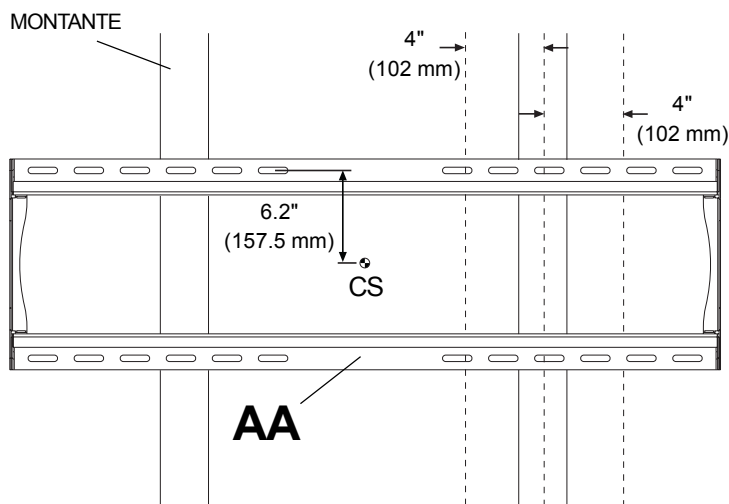
## ⚠ ADVERTENCIA

- El instalador tiene que asegurarse de que la superficie de apoyo sostendrá, con seguridad, la carga combinada del equipo y todos los fijadores y componentes.
- Apriete los tornillos de madera de manera que la placa de pared se fije firmemente, pero no en exceso. Apretarlos en exceso puede dañar los tornillos y puede disminuir significativamente su fuerza de fijación.
- Nunca apriete a más de 80 pulg-lb (9 N•m).
- Asegúrese de que los tornillos de montaje estén anclados en el centro del montante. Se recomienda utilizar un localizador de montantes de "borde a borde".
- Los accesorios para la instalación que se proveen son para fijar el soporte a montantes de madera a través de tabique de yeso-cartón o yeso de espesor estándar. Los instaladores son responsables de suministrar los accesorios necesarios para otros tipos de instalaciones.

**1** La placa de pared (**AA**) se puede instalar en dos montantes que tengan una separación de 16". Utilice un localizador de montantes para localizar los bordes de los montantes. Se recomienda utilizar un localizador de montantes de "borde a borde". Tomando los bordes como punto de referencia, trace una línea vertical por el centro de cada montante. Coloque la placa de pared contra la pared para utilizarla como plantilla. Las ranuras de montaje superiores deben estar ubicadas a 6.2" (157.5 mm) encima del punto donde quiere que quede el centro de la pantalla, como se muestra en la figura 1.1. Nivele la placa y marque el centro de los cuatro agujeros de montaje. Asegúrese de que los agujeros de montaje estén sobre las líneas que trazó por el centro de los montantes. Taladre cuatro agujeros de 5/32" (4 mm) de diámetro y 2-1/2" (65 mm) de profundidad. Asegúrese de que la placa esté nivelada, fíjela utilizando cuatro tornillos para madera de 14 x 2.5" (**DD**), como se muestra en la figura 1.2.

**NOTA:** La placa de pared se puede instalar a una distancia de hasta 4" (102 mm) del centro, como se muestra en la figura 1.1.

Pase al paso 2.



CS = centro de la pantalla

fig. 1.1

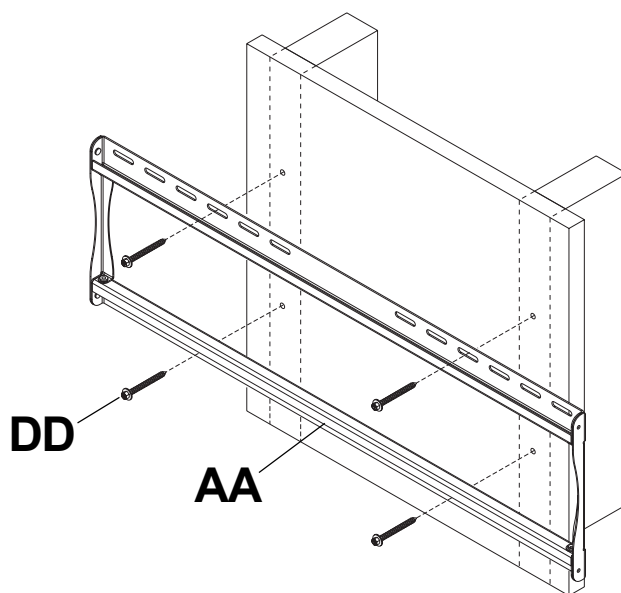
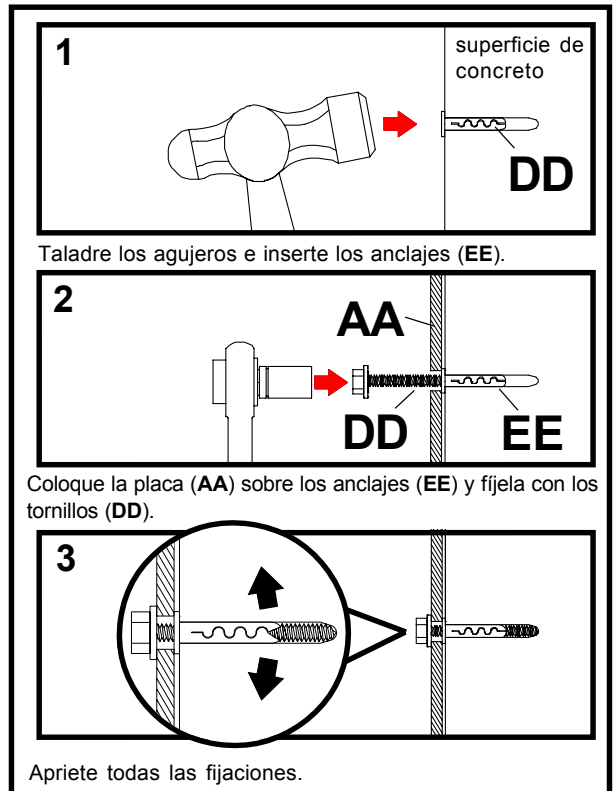


fig. 1.2

## ⚠ ADVERTENCIA

- Cuando instale soportes de pared Peerless en bloques de hormigón de escorias, verifique que tengan un mínimo de 1-3/8" de superficie efectiva de concreto en el agujero que va a utilizar para los anclajes de concreto. ¡No perforo en las juntas de mortero! Asegúrese de instalar el soporte en una parte sólida del bloque, generalmente a un mínimo de 1" del costado del bloque. El bloque de hormigón de escorias debe ser de conformidad con las especificaciones C-90 de ASTM. Se sugiere taladrar el agujero con un taladro eléctrico normal en velocidad lenta en vez de un taladro percutor para evitar romper la parte trasera del agujero al entrar en un espacio o cavidad.
- El concreto debe tener una densidad mínima de 2000 psi. Un concreto menos denso podría no ser capaz de sujetar el anclaje para concreto.
- El instalador debe verificar que la superficie de apoyo sea capaz de soportar firmemente la carga combinada del equipo y todos los herrajes y componentes.

- 1** Asegúrese de que la placa de pared (AA) esté nivelada y utilícela como plantilla para marcar cuatro agujeros de montaje. Las ranuras de montaje superiores deben estar ubicadas a 4.07" (103 mm) encima del punto donde quiere que quede el centro de la pantalla, como se muestra en la figura 1.1, de la página 12. Taladre cuatro agujeros de 1/4" (6 mm) de diámetro con una profundidad mínima de 2.5" (65 mm). Inserte los anclajes (EE) en los agujeros a ras con la pared, como se muestra (a la derecha). Coloque la placa de pared sobre los anclajes y fijela con los tornillos de 14 x 2.5" (DD). Nivele y apriete todos los sujetadores.



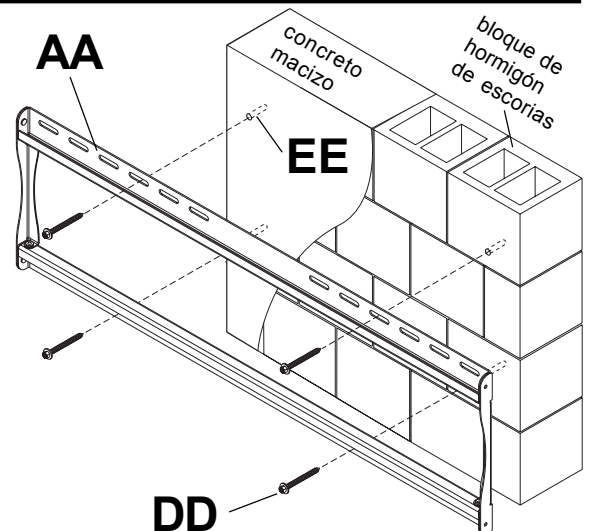
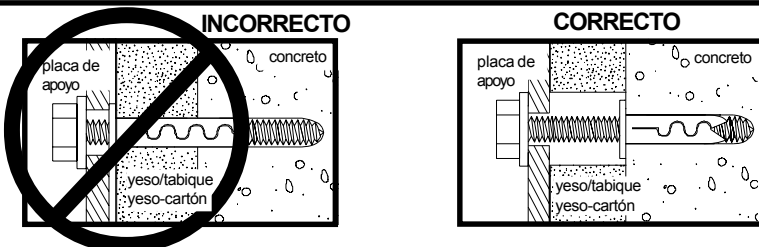
## ⚠ ADVERTENCIA

- Apriete los tornillos de tal modo que la placa de apoyo quede firmemente sujeta, pero no los apriete en exceso. El apriete excesivo puede dañar los tornillos, reduciendo enormemente su fuerza de fijación.
- Nunca apriete más de 80 pulg-lb (9 N•m).

## ⚠ ADVERTENCIA

- Siempre fije los anclajes de expansión directamente al concreto que soporta carga.
- Nunca fije los anclajes de expansión a una pared de concreto recubierta con yeso, tabiques de yeso-cartón u otro material de acabado. Si el montaje a superficies de concreto recubiertas con una superficie de acabado es inevitable, será necesario escariar el acabado, como se muestra más abajo. Asegúrese de que los anclajes de concreto no se alejen del concreto al apretar los tornillos. Si el grosor de la pared de yeso/tabique de yeso-cartón es mayor que 5/8", el instalador deberá suministrar fijaciones especiales.

VISTA EN CORTE



## Instalación de los soportes adaptadores

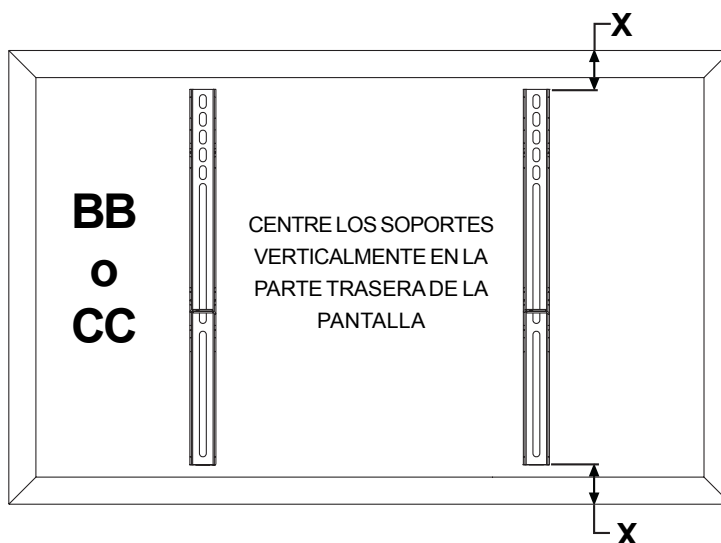
### ⚠ ADVERTENCIA

- Apriete los tornillos de tal modo que los soportes adaptadores queden firmemente sujetos. No apriete aplicando demasiada fuerza. El apriete excesivo puede causar daño por esfuerzo a los tornillos, reduciendo enormemente su fuerza de fijación y causando el posible desprendimiento de sus cabezas. Apriete los tornillos a 40 pulg-lb (4.5 N•m) de par torsor máximo.
- Si los tornillos no pueden atornillarse con tres vueltas completas en los insertos de la pantalla, o si los tornillos topan fondo y la placa todavía no está firmemente sujeta, se podría dañar la pantalla o causar la falla del producto.

**2** Para no rayar la pantalla, coloque un trapo sobre una superficie plana y nivelada que sostenga el peso de la pantalla. Coloque la pantalla boca abajo. Si la pantalla tiene perillas en la parte trasera, quíteselas para poder fijar los soportes adaptadores. Coloque los soportes adaptadores (**BB** o **CC**) en la parte trasera de la pantalla, alinéelos con los agujeros y centralícelos en la parte trasera de la pantalla, como se muestra abajo. Fije los soportes adaptadores en la parte trasera de la pantalla utilizando la combinación adecuada de tornillos, arandelas múltiples y espaciadores, como se muestra en la figura 2.1 o en la figura 2.2.

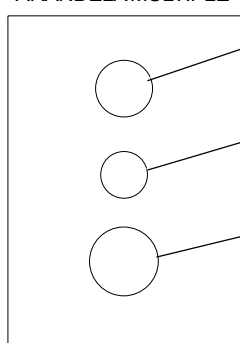
**NOTA:** Siempre se tienen que usar los agujeros superiores y los inferiores.

Verifique que todos los agujeros estén debidamente alineados y luego apriete los tornillos usando un destornillador phillips.



**Nota:** Las dimensiones "X" deben ser iguales.

#### ARANDELA MÚLTIPLE



AGUJERO MEDIANO PARA  
TORNILLOS M5

AGUJERO PEQUEÑO PARA  
TORNILLOS M4

AGUJERO GRANDE PARA  
TORNILLOS M6

#### Notas:

- La cantidad de fijaciones utilizada variará según el tipo de pantalla.
- Es posible que no tenga que usar las arandelas múltiples y los espaciadores, dependiendo del tipo de pantalla.
- Use el agujero correspondiente en la arandela múltiple que coincida con el tamaño de su tornillo, como se muestra en la figura 2.2.

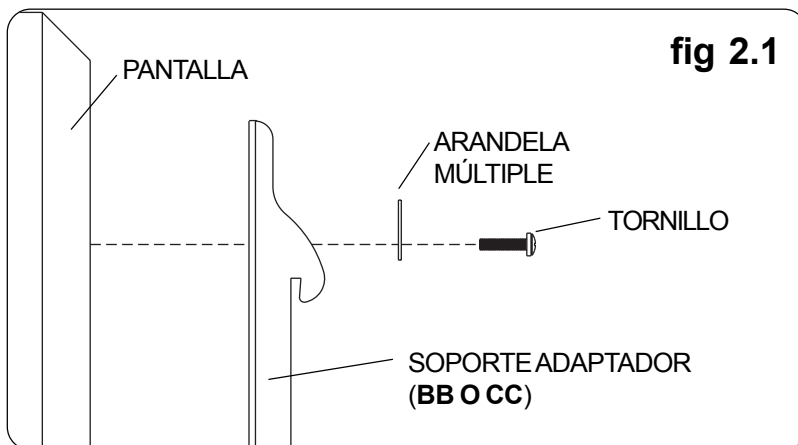
**NOTA:** En el caso de los televisores que tienen la **parte posterior plana**, pase al paso 2-1. En el caso de los televisores que tienen la **parte posterior abultada o empotrada**, pase al paso 2-2.

## Instalación de un televisor que tiene la parte posterior plana

**2-1** Refiérase a la **Tabla de compatibilidad de las pantallas** para determinar cuáles son los sujetadores adecuados para usarse. Acceda a [www.peerlessmounts.com/6](http://www.peerlessmounts.com/6) para ver una tabla completa de las pantallas compatibles con este soporte.

Comience con uno de los tornillos más cortos, enrósquelo, con la mano, a través de la arandela múltiple y el soporte adaptador a la parte posterior de la pantalla, como se muestra abajo. El tornillo debe dar, por lo menos, tres vueltas completas dentro del agujero de instalación y debe quedar ajustado en su lugar. No apriete los tornillos en exceso. Si el tornillo no puede dar tres vueltas completas al entrar en la parte posterior de la pantalla, seleccione un tornillo más largo de los sujetadores identificados y clasificados en las divisiones del empaque plástico. Siga el mismo procedimiento con los agujeros de instalación restantes, nivele los soportes y apriete los tornillos.

**NOTA:** Es posible que no necesite usar los espaciadores, dependiendo del tipo de pantalla.

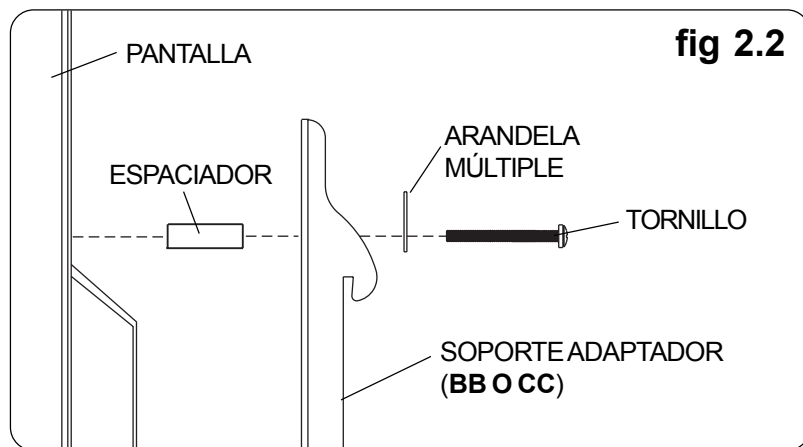


Si tiene alguna pregunta, por favor, llame a servicio al cliente de Peerless al **1-800-865-2112**.

## Instalación de un televisor que tiene la parte posterior abultada o empotrada

**2-2** Refiérase a la **Tabla de compatibilidad de las pantallas** para determinar cuáles son los sujetadores adecuados para usarse. Acceda a [www.peerlessmounts.com/6](http://www.peerlessmounts.com/6) para ver una tabla completa de las pantallas compatibles con este soporte.

Comience con uno de los tornillos más largos, enrósquelo, con la mano, a través de la arandela múltiple, el soporte adaptador y el espaciador, en ese orden, a la parte posterior de la pantalla, como se muestra abajo. El tornillo debe dar, por lo menos, tres vueltas completas dentro del agujero de instalación y debe quedar ajustado en su lugar. No apriete los tornillos en exceso. Si el tornillo no puede dar tres vueltas completas al entrar en la parte posterior de la pantalla, seleccione un tornillo más largo de los sujetadores identificados y clasificados en las divisiones del empaque plástico. Siga el mismo procedimiento con los agujeros de instalación restantes, nivele los soportes y apriete los tornillos.



Si tiene alguna pregunta, por favor, llame a servicio al cliente de Peerless al **1-800-865-2112**.

## ⚠ ADVERTENCIA

- Siempre solicite la ayuda de un asistente o utilice un equipo de izar mecánico para levantar y colocar el televisor de plasma con más seguridad.

**3** Enganche los soportes adaptadores (**BB** o **CC**) en la placa de pared (**AA**). Entonces gire la pantalla lentamente, como se muestra. Déles, por lo menos, seis vueltas a los tornillos de seguridad en el sentido del movimiento de las manecillas del reloj con una llave allen de seguridad (**FF**) para evitar que se pueda quitar la pantalla, como se muestra en la sección transversal de la figura 3.1. La pantalla se puede ajustar horizontalmente si lo desea, como se muestra en la figura 3.2.

**NOTA:** Para trabar la pantalla, apriete los tornillos de seguridad a la placa de pared, como se muestra en la sección transversal.

Para quitar la pantalla del soporte, afloje los tornillos de seguridad, gire la pantalla retirándola del soporte y levántela para sacarla del soporte.

## ATENCIÓN

- No apriete los tornillos aplicando demasiada fuerza. El apriete excesivo podría dañar el soporte. Apriete los tornillos a 40 pulg-lb (4.5 N•m) de par torsor máximo.

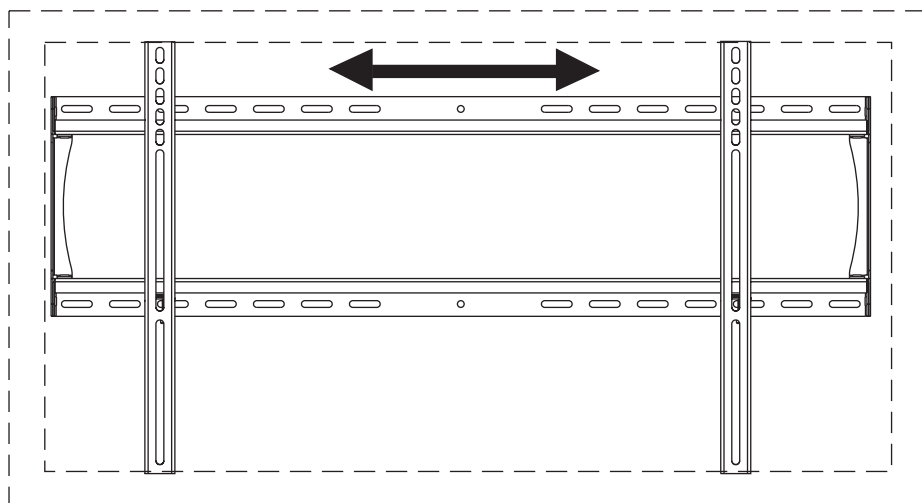
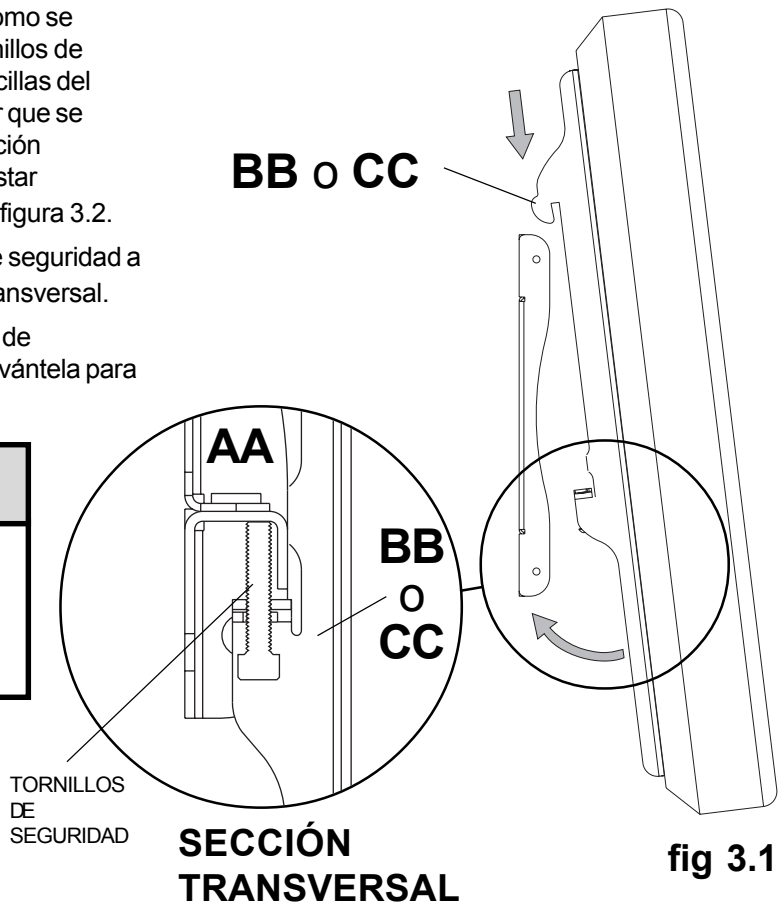


fig 3.2



# peerless®

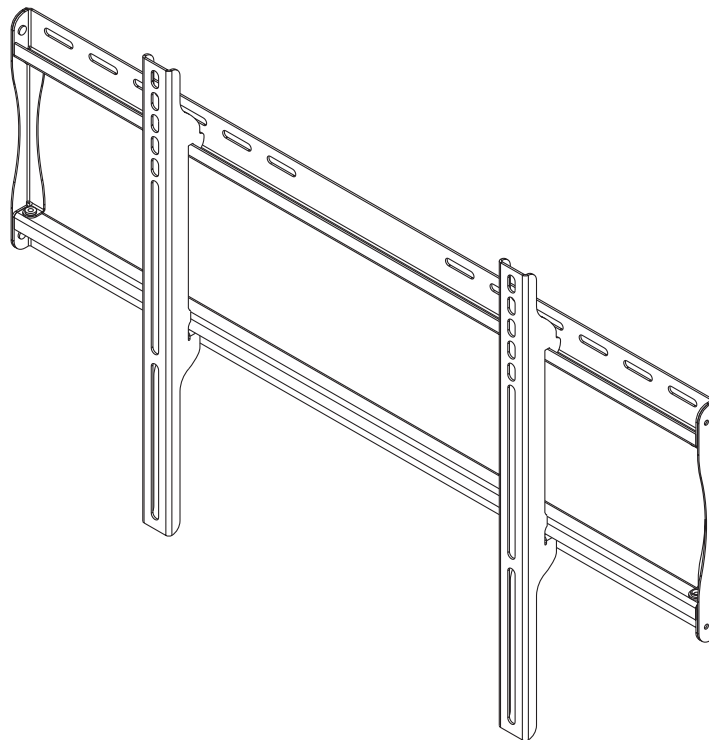
# SmartMount®

## Installation et montage : Support mural plat universel Smartmount® pour écrans plats de 37 à 60 po

Modèles: D-FPF-320, D-FPF-320S, SF660, SF660-S,  
SF660P, SF660P-S, RTFPF-320, RTFPF-320I,  
RTFPF-320S, RTFPF-320SI



Ce produit est homologué UL. Il doit être installé par un installateur professionnel qualifié.



**Capacité de charge UL maximale: 200 lb (91kg)**

### Caractéristiques :

- Écran maintenu à 1,75 po seulement du mur pour une installation discrète.
- La plaque murale ouverte offre un accès mural supplémentaire, augmentant l'accès électrique et les options de gestion du câblage
- Les supports de montage d'écran universels s'accrochent à la plaque murale pour une installation rapide, facile et sans danger
- Inclut un jeu de fixations Sorted-For-You™ pour l'installation sur des montants en bois, du béton ou du bloc de béton
- Réglage horizontal en option jusqu'à 8 po (en fonction du modèle d'écran) pour un positionnement parfait de l'écran
- Disponible en noir et en argent

## ⚠ AVERTISSEMENT

- Ne commencez pas à installer votre produit Peerless avant d'avoir lu et assimilé les instructions et les mises en garde contenues dans cette fiche d'installation. Pour toute question concernant les instructions ou les mises en garde, appelez le service à la clientèle de Peerless au 1-800-865-2112.
- Ce produit ne doit être installé que par une personne ayant de bonnes aptitudes en mécanique, expérimentée en travaux de construction élémentaires, et démontrant une parfaite compréhension de ces instructions.
- Assurez-vous que la surface de support pourra soutenir sans danger la charge combinée de l'équipement, de toute sa visserie et de tous ses composants.
- Ne dépassez jamais la capacité de charge maximum établie par l'UL. Reportez-vous à la page 17.
- Si vous effectuez le montage sur un mur à montants en bois, assurez-vous que les vis de montage sont ancrées au centre des montants. L'usage d'un localisateur « bord à bord » est fortement conseillé.
- Pour lever et positionner l'équipement en toute sécurité, faites-vous toujours aider par une autre personne ou utilisez un matériel de levage mécanique.
- Serrez fermement les vis, mais sans excès. Un serrage excessif peut endommager les éléments et en réduire considérablement le pouvoir de maintien.
- Ce produit a été conçu et prévu pour être monté sur les surface de support mentionnées ci-après ; la visserie incluse dans ce produit est celle spécifiée sur la fiche d'installation. Pour monter ce produit sur une autre surface de support, adressez-vous au service clientèle de Peerless au 1-800-865-2112.
- Ce produit a été conçu pour être installé sur le type de mur suivant uniquement :

### TYPE DE MUR

### VISSERIE SUPPLÉMENTAIRE REQUISE

<input checked="" type="checkbox"/> Montant en bois	Aucune
<input checked="" type="checkbox"/> Poutre en bois	Aucune
<input checked="" type="checkbox"/> Béton plein	Aucune
<input checked="" type="checkbox"/> Bloc de béton de mâchefer	Aucune
<input type="checkbox"/> Montant métallique	Ne fixer qu'avec le kit d'accessoires Peerless pour montants métalliques Adressez-vous au service clientèle pour vous procurer le kit d'accessoires Peerless pour montants métalliques.
<input type="checkbox"/> Brique	Adressez-vous au service clientèle
<input type="checkbox"/> Autre, ou vous n'êtes pas sûr ?	Adressez-vous au service clientèle

## Outils nécessaires au montage

- localisateur de montants (un localisateur de montants « bord à bord » est recommandé.)
- tournevis cruciforme
- perceuse
- foret de 1/4 po pour les murs en béton et en bloc de béton
- foret de 1/2 po pour les murs à montants métalliques
- foret de 5/32 po pour les murs à montants en bois
- niveau

## Accessoires

- ACC415 – Ensemble de fixations pour montants métalliques (montant métallique non évalué aux normes UL)
- SCS222 – Étagère audio-vidéo SmartMount®

## Table des matières

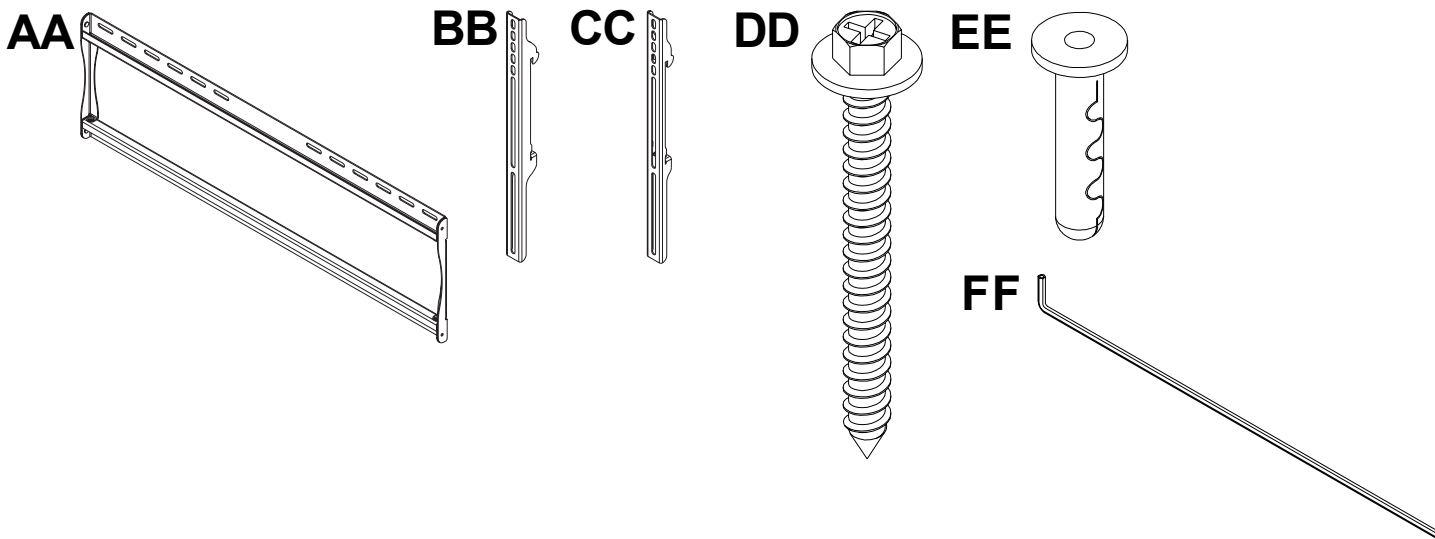
Liste des pièces .....	19
Installation sur un mur à doubles montants en bois .....	20
Installation sur du béton plein ou du bloc de béton .....	21
Installation des supports adaptateurs .....	22
Montage et démontage d'un écran plat .....	24

Avant de commencer, assurez-vous que toutes les pièces indiquées sont incluses avec le produit.

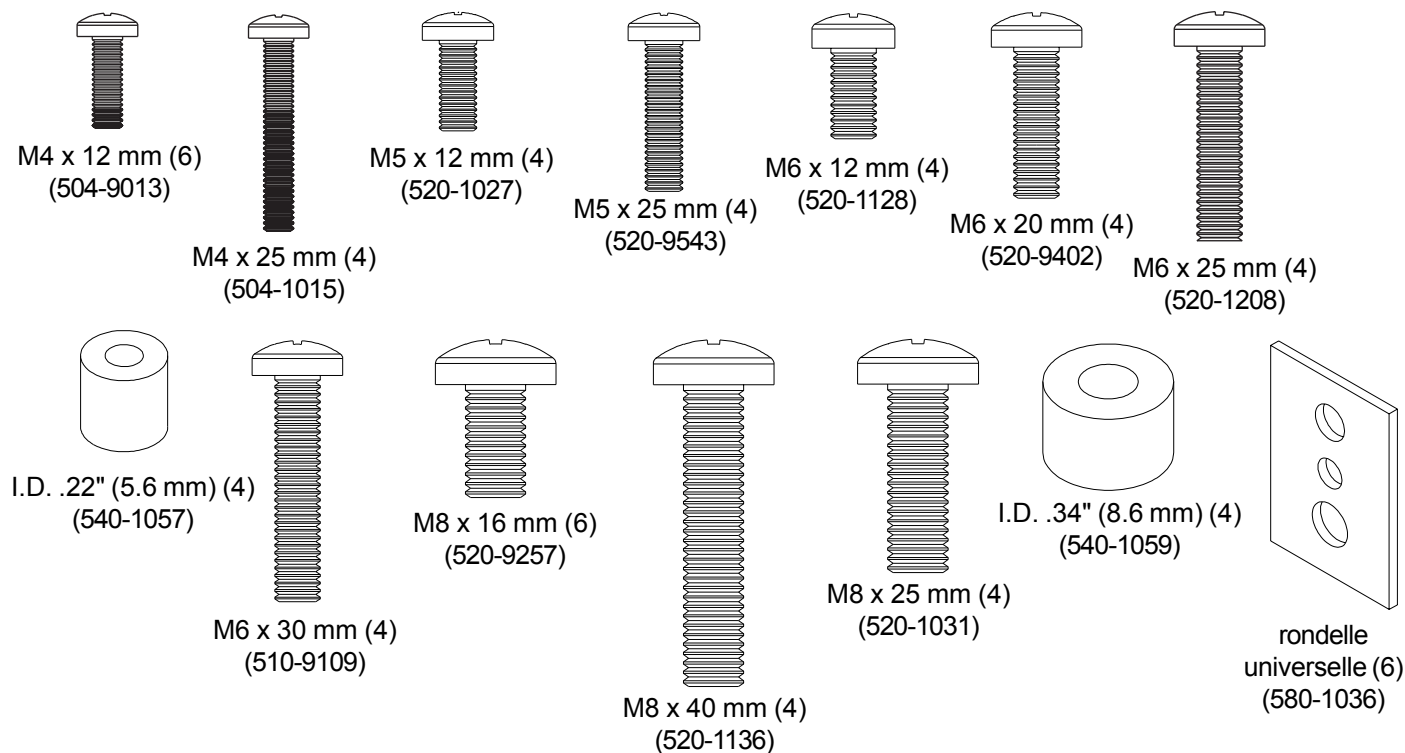
**Liste des pièces**

Description	Qté	Sécurité		Sans sécurité	
		Référence des pièces noires	Référence des pièces argent	Référence des pièces noires	Référence des pièces argent
AA plaque murale	1	201-1503	201-4503	201-1503	201-4503
BB support adaptateur profond	2	201-1510	201-4510	201-1513	201-4513
CC support adaptateur court	2	201-1511	201-4511	201-1514	201-4514
DD vis à bois n° 14 x 2,5 po	4	5S1-015-C03	5S1-015-C03	5S1-015-C03	5S1-015-C03
EE ancrage Alligator®	4	590-0097	590-0097	590-0097	590-0097
FF clé hexagonale de 4 mm	1	560-1146	560-1146	560-1146	560-1146

Il est possible que les pièces semblent légèrement différentes de l'illustration.



**Fixations des supports adaptateurs**



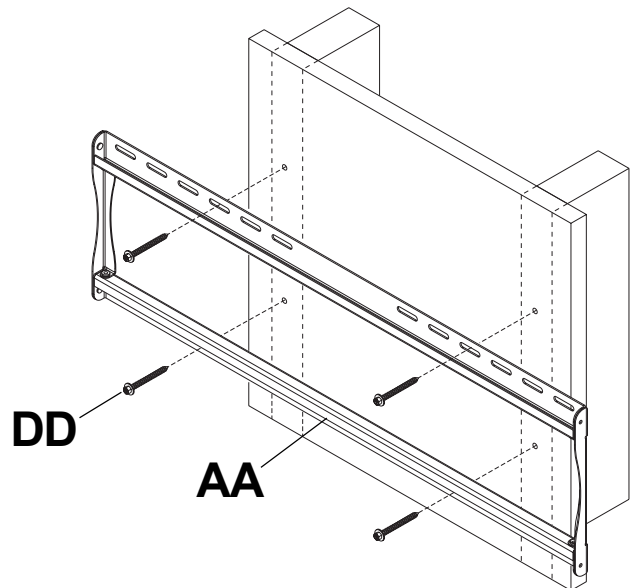
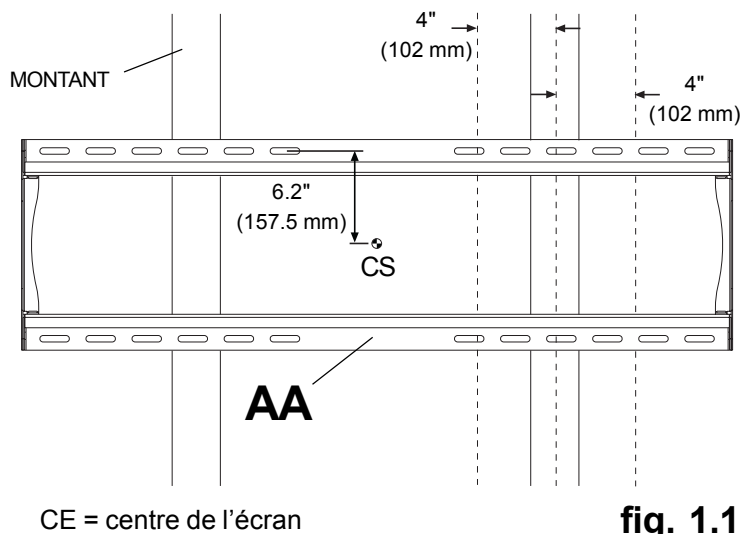
## ⚠ AVERTISSEMENT

- L'installateur doit s'assurer que la surface de support pourra soutenir sans danger la charge combinée de l'équipement, de toute sa visserie et de tous ses composants.
- Serrez les vis à bois de manière que la plaque murale soit fermement fixée, mais sans excès. Un serrage excessif peut endommager les vis et en réduire considérablement le pouvoir de maintien.
- Ne serrez jamais à plus de 9 Nm (80 po-lb).
- Assurez-vous que les vis de montage sont ancrées au centre des montants. L'usage d'un localisateur de montants « bord à bord » est fortement conseillé.
- La visserie est fournie pour fixer la monture à travers une cloison sèche ou du plâtre d'épaisseur standard et dans des montants en bois. Il appartient aux installateurs de fournir la visserie nécessaire pour d'autres types de situations.

**1** La plaque murale (**AA**) peut être installée sur deux montants espacés de 16 po. Repérez le bord des montants à l'aide d'un localisateur de montants. L'utilisation d'un localisateur de montants « bord à bord » est fortement recommandée. Après avoir repéré les bords, tracez une ligne verticale le long du centre de chaque montant. Posez la plaque murale sur le mur et utilisez-la comme gabarit. Les fentes de montage supérieures doivent être situées à 6,2 po (157,5 mm) au-dessus de l'endroit souhaité pour le centre de l'écran comme illustré à la figure 1.1. Mettez la plaque à niveau et marquez le centre des quatre trous de fixation. Veillez à ce que les trous de fixation soient sur la ligne médiane du montant. Percez quatre trous de 5/32 po (4 mm) de dia. et de 2-1/2 po (65 mm) de profondeur. Veillez à ce que la plaque murale soit de niveau et fixez-la à l'aide de quatre vis à bois n° 14 x 2,5 po (**DD**) comme illustré à la figure 1.2.

**REMARQUE :** La plaque murale peut être décentrée jusqu'à 4 po (102 mm) comme illustré à la figure 1.1.

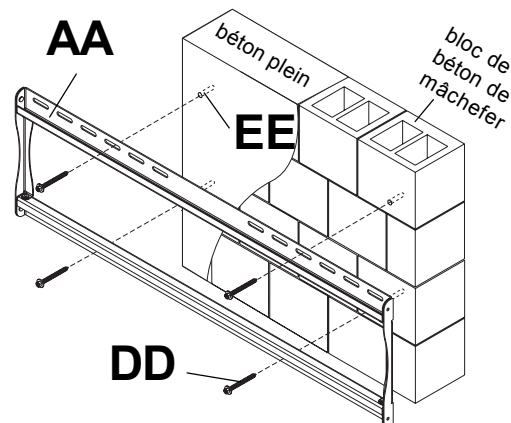
Passez à l'étape 2.



## ⚠ AVERTISSEMENT

- Si vous installez des montures murales Peerless sur un bloc de béton de mâchefer, vérifiez que vous disposez d'une épaisseur de béton d'au moins 3,4 cm (1 3/8 po) dans le trou destiné aux ancrages de béton. Ne percez pas dans les joints de mortier ! Veillez à effectuer le montage dans une partie pleine du bloc, généralement à au moins 2,5 cm (1 po) du côté du bloc. Le bloc de béton de mâchefer doit être conforme aux spécifications de l'ASTM C-90. Pour percer le trou, il est conseillé d'utiliser une perceuse électrique standard sur un réglage bas au lieu d'un marteau perforateur, afin d'éviter de briser la partie arrière du trou lorsque vous pénétrez un vide ou une cavité.
- Le béton doit avoir une densité minimum de 2 000 psi. Un béton de densité moindre risquerait de ne pas retenir un ancrage de béton.
- Assurez-vous que la surface de support pourra soutenir sans danger la charge combinée de l'équipement, de toute sa visserie et de tous ses composants.

- 1** Assurez-vous que la plaque murale (AA) est de niveau et utilisez-la comme gabarit pour marquer l'emplacement des quatre trous de fixation. Les trous de montage supérieurs doivent être situés à 4,07 po (103 mm) au-dessus de l'endroit souhaité pour le centre de l'écran comme illustré à la figure 1.1 en page 20. Percez quatre trous de 1/4 po (6 mm) de dia. à une profondeur minimale de 2,5 po (65 mm). Insérez les chevilles d'ancrage (EE) dans les trous au ras du mur comme illustré (à droite). Posez la plaque murale sur les chevilles d'ancrage et attachez-la à l'aide de vis n° 14 x 2,5 po (DD). Assurez-vous qu'elle est de niveau, puis serrez toutes les fixations.

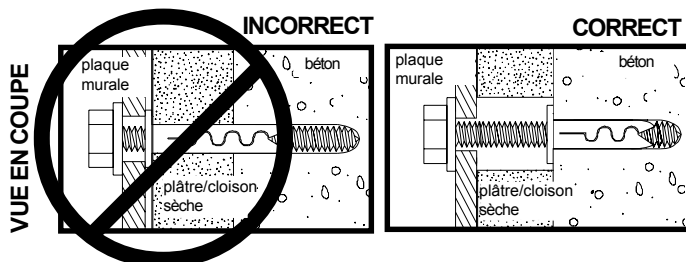
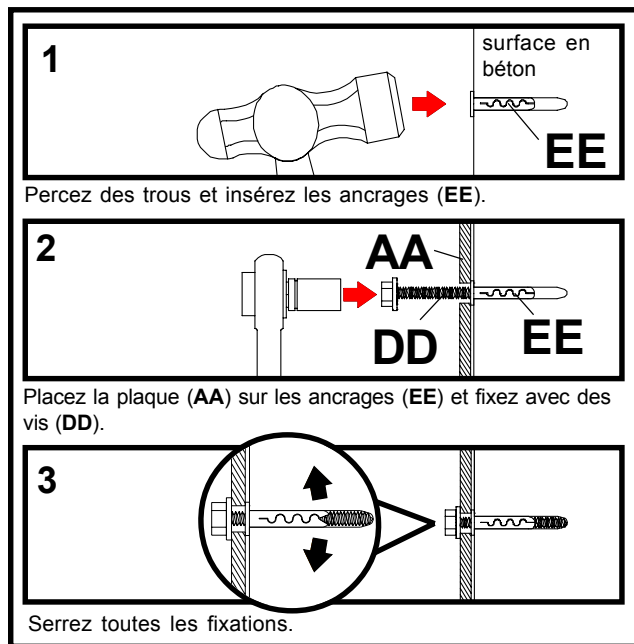


## ⚠ AVERTISSEMENT

- Serrez les vis de manière que la plaque murale soit fermement fixée, mais sans excès. Un serrage excessif peut endommager les vis et en réduire considérablement le pouvoir de maintien.
- Ne serrez jamais à plus de 9 Nm (80 po-lb).

## ⚠ AVERTISSEMENT

- Fixez toujours des ancrages de béton directement sur du béton porteur.
- Ne fixez jamais d'ancrages sur du béton recouvert de plâtre, une cloison sèche ou autre matériau de finition. Si vous ne pouvez pas éviter d'effectuer le montage sur une surface de finition, celle-ci doit être chambrée, comme indiqué ci-dessous. Assurez-vous que les ancrages de béton ne se séparent pas du béton lorsque vous serrez les vis. Si l'épaisseur du plâtre / de la cloison sèche dépasse 1,5 cm (5/8 po), des fixations adaptées devront être fournies par l'installateur.



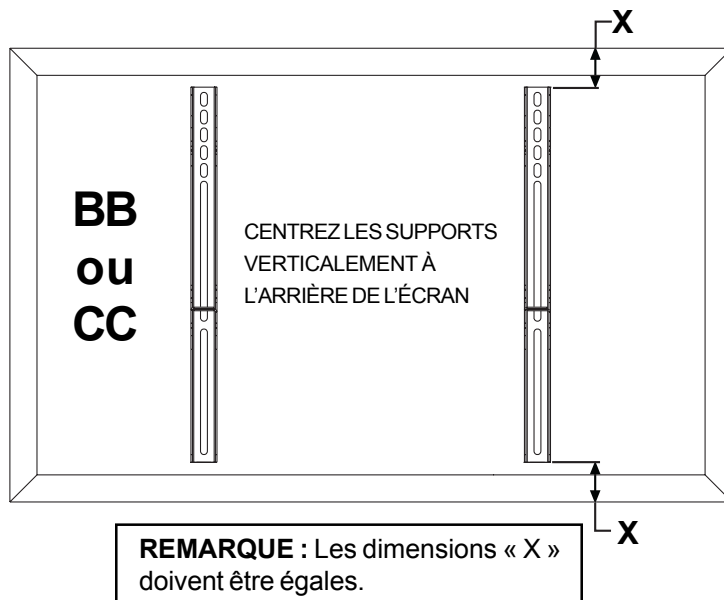
## ⚠ AVERTISSEMENT

- Serrez les vis de manière que les supports adaptateurs soient solidement fixés. N'employez pas une force excessive pour serrer. Un serrage excessif peut causer des contraintes risquant d'endommager les vis, de réduire considérablement leur pouvoir de maintien et de décoller les têtes des vis. Serrez les vis à un couple maximum de 4,5 Nm (40 po-lb).
- Si les vis ne sont pas enfoncées de trois tours complets dans les inserts ou si elles sont serrées au maximum sans parvenir à maintenir solidement le support, l'écran peut être abîmé ou le produit détérioré.

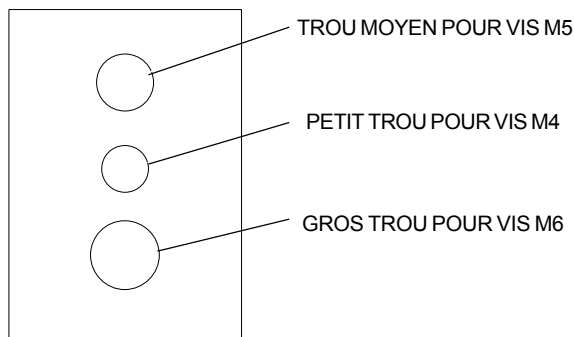
**2** Afin d'éviter d'égratigner l'écran, posez un morceau de tissu sur une surface plane et de niveau qui peut supporter le poids de l'écran. Déposez l'écran à plat, tourné vers le bas. Si l'écran possède des boutons à l'arrière, enlevez-les pour pouvoir attacher les supports adaptateurs. Placez les supports adaptateurs (**BB** ou **CC**) à l'arrière de l'écran, alignez-les sur les trous et centrez-les sur l'arrière de l'écran, comme illustré ci-dessous. Fixez les supports adaptateurs à l'arrière de l'écran à l'aide des vis, rondelles universelles et entretoises appropriées, comme illustré sur la figure 2.1 ou 2.2.

**REMARQUE :** Les trous supérieurs et inférieurs doivent toujours être utilisés.

Veillez à ce que tous les trous soient bien alignés, puis serrez les vis à l'aide d'un tournevis cruciforme.



### RONDELLE UNIVERSELLE



### Remarques :

- Le nombre de fixations utilisées varie suivant le type d'écran.
- Il est possible que les rondelles universelles et les entretoises ne soient pas utilisées, suivant le type d'écran.
- Utilisez le trou correspondant dans la rondelle universelle adaptée à la taille de vis.

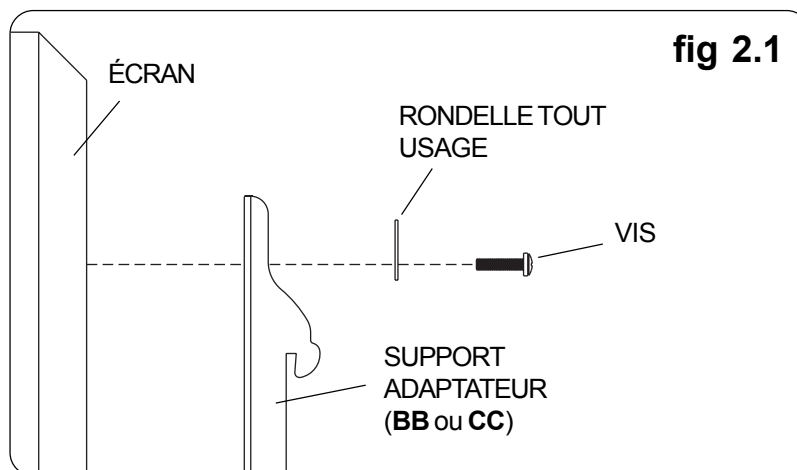
**REMARQUE :** Pour les écrans à dos plat, exécutez l'étape 2-1. Pour les écrans à dos convexes ou concaves, passez à l'étape 2-2.

## Pour les écrans à dos plat

**2-1** Le **Tableau de compatibilité avec l'écran** permet de déterminer quelle fixation utiliser. Visitez [www.peerlessmounts.com/6](http://www.peerlessmounts.com/6) pour obtenir un tableau de compatibilité pour ce support.

Commencez par la vis la plus courte et vissez-la manuellement à l'écran en la faisant passer à travers la rondelle tout usage et le support adaptateur, comme indiqué ci-dessous. La vis doit effectuer au moins trois tours complets dans le trou de fixation et tenir solidement en place. Ne pas trop serrer. S'il est impossible d'effectuer trois tours de vis complets, choisissez une vis plus longue dans le jeu de fixations à compartiments. Répétez pour le reste des trous de fixations, mettez les supports à niveau et resserrez les vis.

**REMARQUE :** Il n'est pas toujours nécessaire d'utiliser des entretoises, selon le type d'écran.

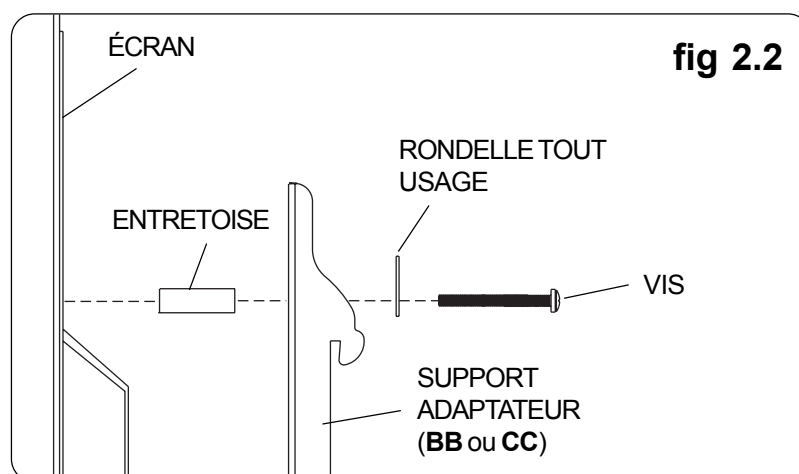


Pour toute question, veuillez appeler le service à la clientèle de Peerless au **1-800-865-2112**.

## Pour un écran à dos convexe ou concave

**2-2** Le **Tableau de compatibilité avec l'écran** permet de déterminer quelle fixation utiliser. Visitez [www.peerlessmounts.com/6](http://www.peerlessmounts.com/6) pour obtenir un tableau de compatibilité pour ce support.

Commencez par la vis la plus longue et vissez-la manuellement à l'écran en la faisant passer à travers la rondelle tout usage, le support adaptateur et l'entretoise comme indiqué ci-dessous. La vis doit effectuer au moins trois tours complets dans le trou de fixation et tenir solidement en place. Ne pas trop serrer. S'il est impossible d'effectuer trois tours de vis complets, choisissez une vis plus longue dans le jeu de fixations à compartiments. Répétez pour le reste des trous de fixations, mettez les supports à niveau et resserrez les vis.



Pour toute question, veuillez appeler le service à la clientèle de Peerless au **1-800-865-2112**.

## ⚠ AVERTISSEMENT

- Pour lever et positionner l'équipement en toute sécurité, faites-vous toujours aider par une autre personne ou utilisez un matériel de levage mécanique.

**3** Accrochez les supports adaptateurs (**BB** ou **CC**) à la plaque murale (**AA**). Puis, faites pivoter lentement l'écran vers l'intérieur, comme illustré. Tournez les vis de sûreté/sécurité à l'aide d'une clé hexagonale (**FF**) au moins six fois dans le sens horaire pour éviter le retrait de l'écran comme illustré dans la coupe transversale de la fig. 3.1. L'écran peut être réglé horizontalement selon le besoin comme illustré à la fig. 3.2.

**REMARQUE :** Pour verrouiller l'écran, serrez les vis de sûreté/sécurité à la plaque murale comme illustré dans la coupe transversale.

Pour retirer l'écran du support, desserrez les vis de sûreté/sécurité, faites pivoter l'écran hors du support et soulevez-le.

## ATTENTION

- N'employez pas une force excessive pour serrer les vis. Un serrage excessif peut endommager la monture. Serrez les vis à un couple maximum de 4,5 Nm (40 po-lb).

