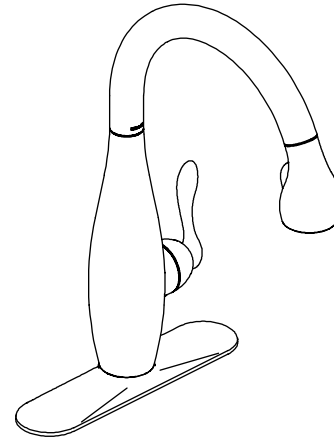


Features

- Metal construction
- One-piece, self-contained ceramic disc valve allows both volume and temperature control
- Temperature memory allows faucet to be turned on and off at any temperature setting
- High-temperature limit setting for added safety
- Touch control for stream-to-spray water flow
- 9-1/4" (235 mm) swing spout reach
- Integral pullout sprayhead with retractable hose
- Integral vacuum breaker
- 10" (254 mm) escutcheon plate for three-hole installation
- Meets CalGreen requirements for kitchen faucets
- 1.8 gallons (6.8 L) per minute maximum flow rate at 60 psi (4.1 bar)

**PULL-DOWN KITCHEN SINK FAUCET
K-692**

ADA **CSA B651** **OBC**



Codes/Standards Applicable

Specified model meets or exceeds the following at date of manufacture:

- ADA
- ICC/ANSI A117.1
- CSA B651
- OBC
- ASME A112.18.1/CSA B125.1
- NSF 61
- Energy Policy Act of 1992
- All applicable US Federal and State material regulations

Colors/Finishes

- CP: Polished Chrome
- BN: Brushed Nickel
- Other: Refer to Price Book for additional colors/finishes

Accessories

- NA: None applicable

Specified Model

Model	Description	Colors/Finishes
K-692	Pull-down kitchen sink faucet	<input type="checkbox"/> CP <input type="checkbox"/> BN <input type="checkbox"/> Other ____
Optional accessories listed on Page 2.		

Product Specification

The single-control pull-down kitchen sink faucet shall be of metal construction. Product shall have a maximum flow rate of 1.8 gallons (6.8 L) per minute at 60 psi (4.1 bar). Product shall meet CalGreen requirements for kitchen faucets. Product shall feature a one-piece, self-contained ceramic disc valve, which allows both volume and temperature control. Product shall feature temperature memory, allowing the faucet to be turned on and off at any temperature setting. Product shall feature a high-temperature limit setting for added safety, touch control for stream-to-spray water flow, 9-1/2" (241 mm) swing spout reach, and integral pullout sprayhead and hose. Product shall feature integral vacuum breaker and 10" (254 mm) escutcheon plate for three-hole installation. Faucet shall be Kohler Model K-692- ____.

CLAIRETTE®

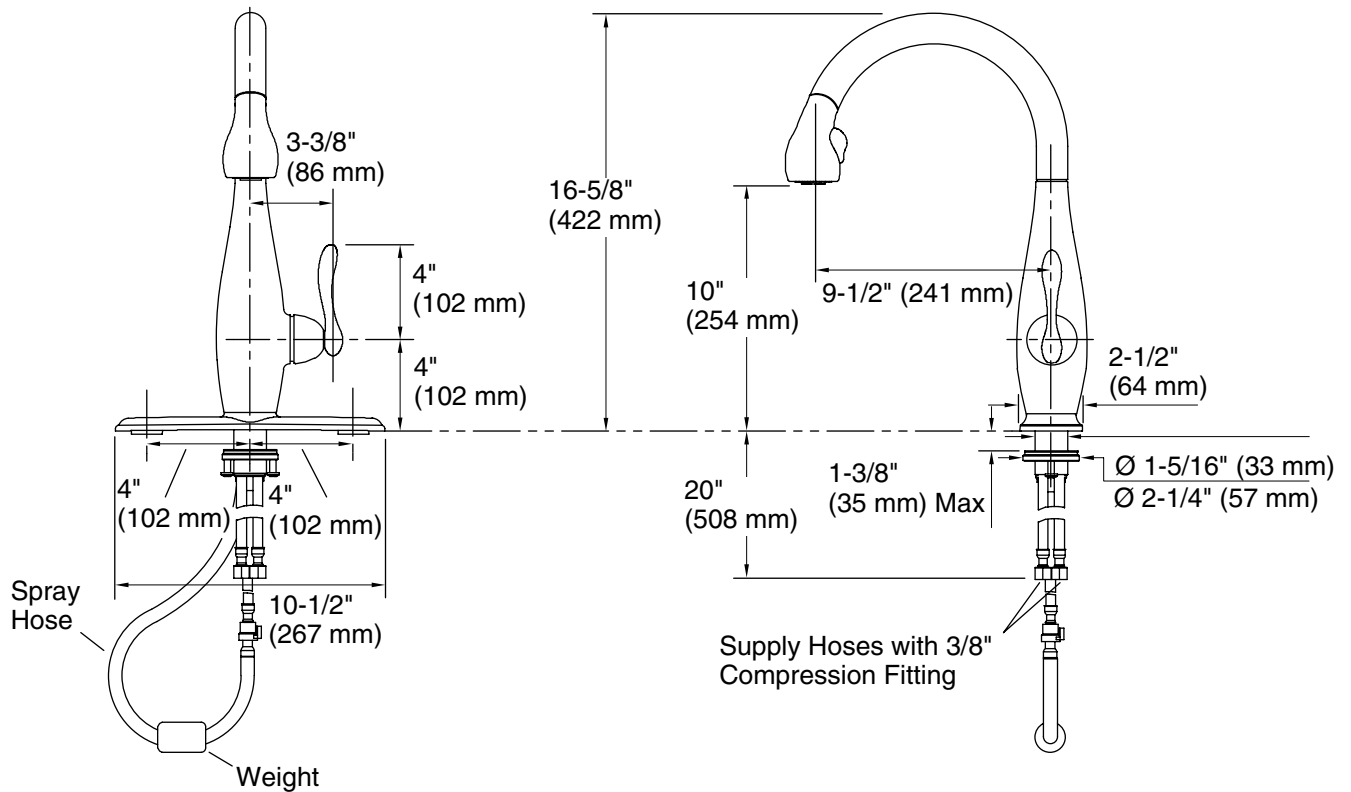
Optional Accessories		
1012715	Deep roughing-in kit – Requires 1-7/16" (37 mm) to 1-1/2" (38 mm) diameter hole to accommodate 1-3/8" (35 mm) to 3-3/8" (86 mm) thick installations.	<input type="checkbox"/> NA
1179913	Low flow kit – Reduces maximum flow to 1.5 gpm (5.7 L) at 60 psi (4.1 bar)	<input type="checkbox"/> NA

Installation Notes

Install this product according to the installation guide.

Meets all local plumbing codes for backflow prevention requirements.

ADA, CSA B651, OBC, ICC/ANSI A117.1 compliant when installed to the specific requirements of these regulations.



Product Diagram