

Features

- KOHLER® cast iron.
- Under-mount.
- Oval basin.
- Without overflow.
- No faucet holes; requires wall- or counter-mount faucet.
- 19-5/8" (498 mm) x 15" (381 mm)

Required Accessories

K-7126 Pop-up drain

Recommended Accessories

K-9018 P-Trap

Components

Additional included component/s: Basin clamp assembly.



ADA

Codes/Standards

ASME A112.19.1/CSA B45.2

ADA









ICC/ANSI A117.1

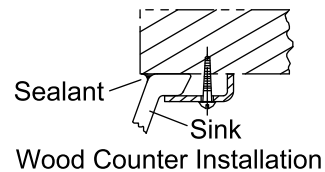
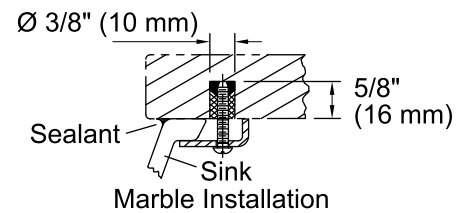
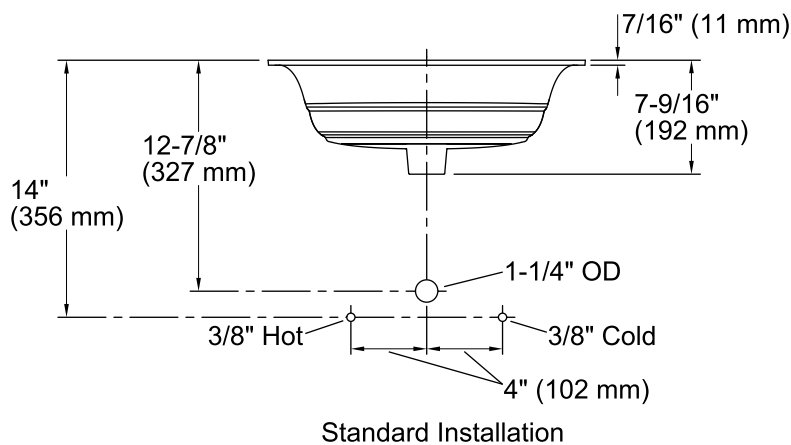
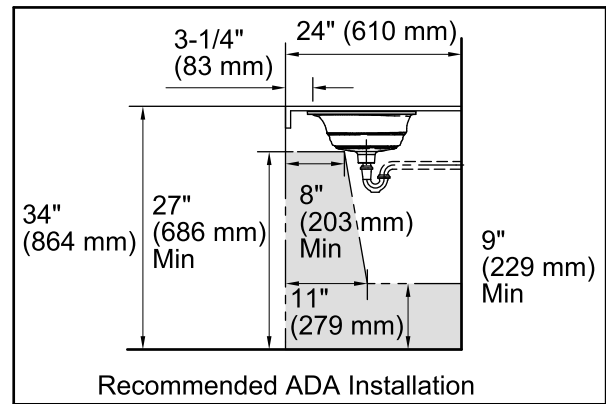
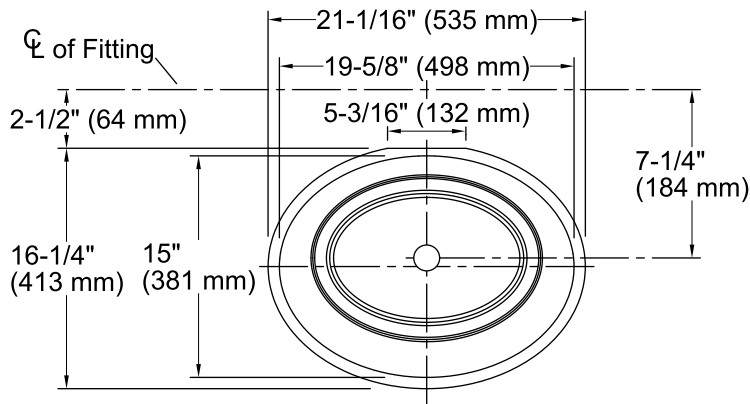
KOHLER® Lifetime Limited Warranty for Cast Iron Components

See website for detailed warranty information.

Available Color/Finishes

Color tiles intended for reference only.

Color	Code	Description
	0	White
	FF	Sea Salt™
	96	Biscuit
	47	Almond
	FD	Cane Sugar™
	KC	Vapour™ Blue
	KG	Vapour™ Green
	FT	Basalt
	KA	Black 'n Tan



Technical Information

All product dimensions are nominal.

Bowl configuration:	Single
Installation:	Under-mount
Bowl area (Only)	Length: 19-5/8" (498 mm) Width: 15" (381 mm) Water depth: 5-1/2" (140 mm)
Drain hole:	1-3/4" (44 mm)
Template:	Under-mount, 1046629-7, required, included

Notes

Install this product according to the installation guide.

Product does not have overflow.

Supplied basin clamp assemblies require 1" (25 mm) minimum countertop thickness. Installer must supply anchors for thinner countertops.

NOTICE: The countertop manufacturer or cutter must use the cutout template provided with the product, or a current one provided by the Kohler Co. (call 1-800-4KOHLER). Kohler Co. is not responsible for cutout errors when the incorrect cutout template is used.

ADA compliant when installed to the specific requirements of these regulations.