

**Features**

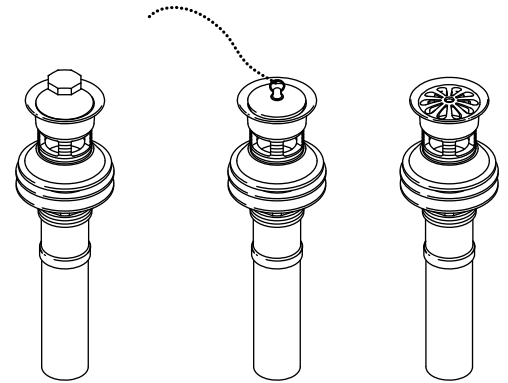
- Brass construction
- 1-1/4" connection
- Available with non-removable metal stopper, rubber stopper, or grid
- Available with or without overflow (dependant on model)

**Codes/Standards Applicable**

Specified model meets or exceeds the following:

- ASME A112.18.2/CSA B125.2

**DRAINS**  
**K-7127**  
ALSO K-7128, K-7129



K-7127-A

K-7128-A

K-7129-A

**Colors/Finishes**

- CP: Polished Chrome
- Other: Refer to Price Book for additional colors/finishes

**Specified Model:**

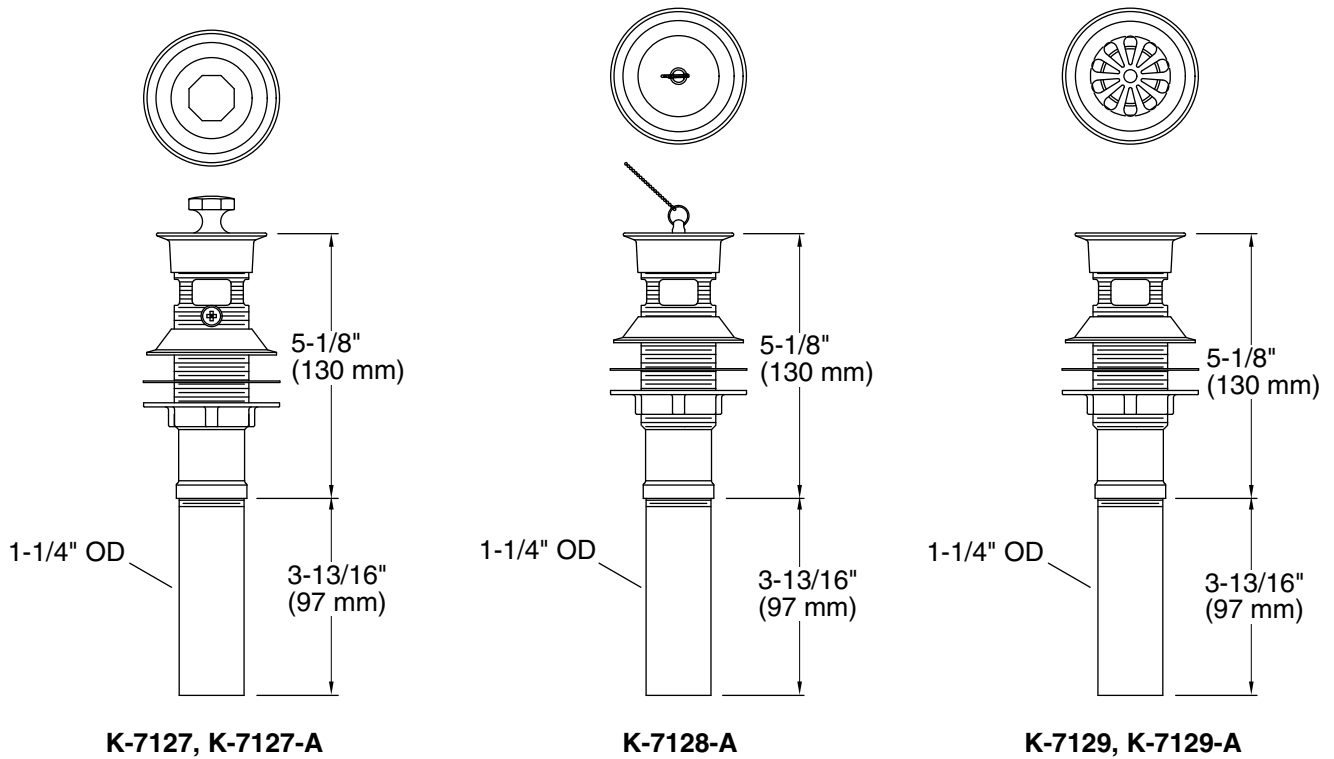
Model	Description	Colors/Finishes	
K-7127	Bathroom sink drain with non-removable metal stopper and without overflow	<input type="checkbox"/> CP	<input type="checkbox"/> Other_____
K-7127-A	Bathroom sink drain with overflow and non-removable metal stopper	<input type="checkbox"/> CP	<input type="checkbox"/> Other_____
K-7128-A	Bathroom sink drain with overflow and rubber stopper with chain	<input type="checkbox"/> CP	
K-7129	Bathroom sink grid drain without overflow	<input type="checkbox"/> CP	<input type="checkbox"/> Other_____
K-7129-A	Bathroom sink grid drain with overflow	<input type="checkbox"/> CP	<input type="checkbox"/> Other_____

**PRODUCT SPECIFICATION**

Bathroom sink drain shall be of brass construction. Drain shall feature a brass tailpiece and 1-1/4" OD connection. Drain with overflow is available with a non-removable metal stopper, rubber stopper or grid. Drain without overflow is available with a non-removable metal stopper or grid. Drain shall be Kohler Model K-\_\_\_\_-\_\_\_\_-\_\_\_\_\_.

## Installation Notes

Install this product according to the installation guide.



## Product Diagram