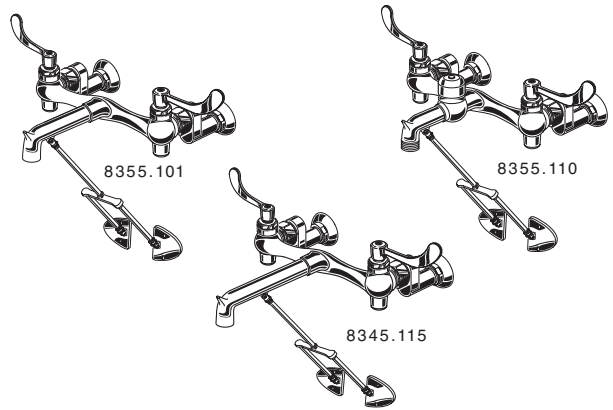


*American Standard*

**Exposed Yoke Wall Mount Utility Faucet with Bottom Brace**

**Installation Instructions**

**8355.110.002  
8355.101.002  
8345.115.002**



*Thank you for selecting American-Standard... the benchmark of fine quality for over 100 years.*

*To ensure that your installation proceeds smoothly—please read these instructions carefully before you begin.*

Certified to comply with ANSI A112.18.1M  
M965042 Rev. 1.5

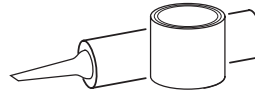
**RECOMMENDED TOOLS**



Channel Locks



Adjustable Wrench

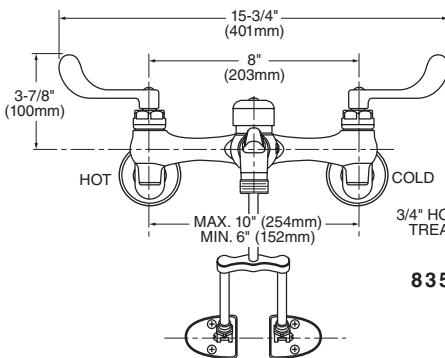


Plumbers' Putty or Caulking

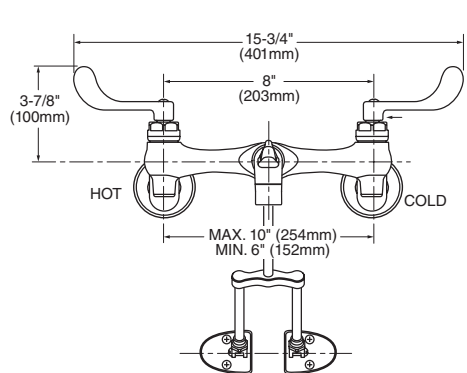
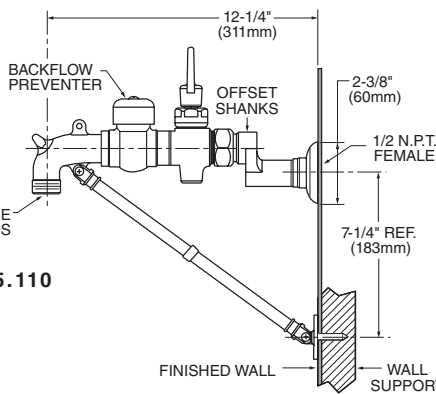


Phillips Screwdriver

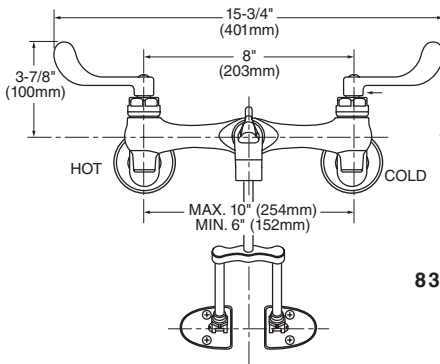
**ROUGHING-IN DIMENSIONS**



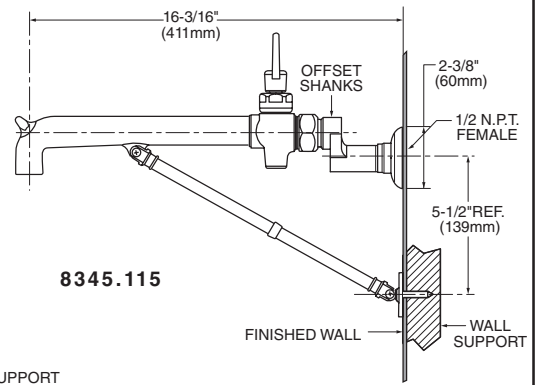
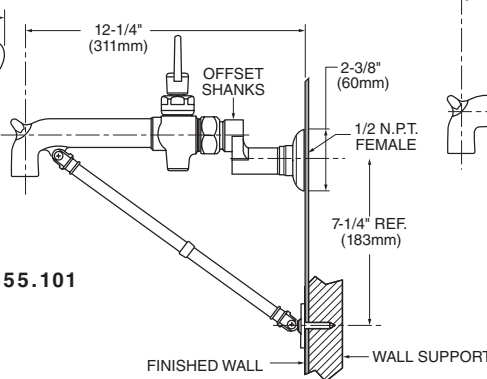
**8355.110**



**8345.115**

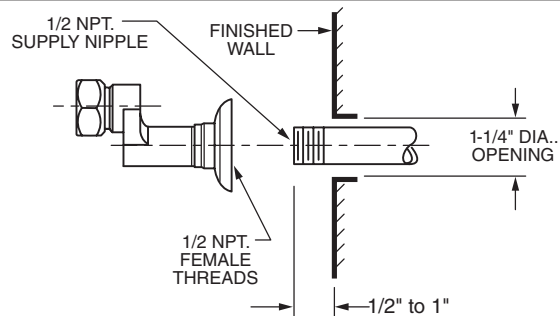


**8355.101**



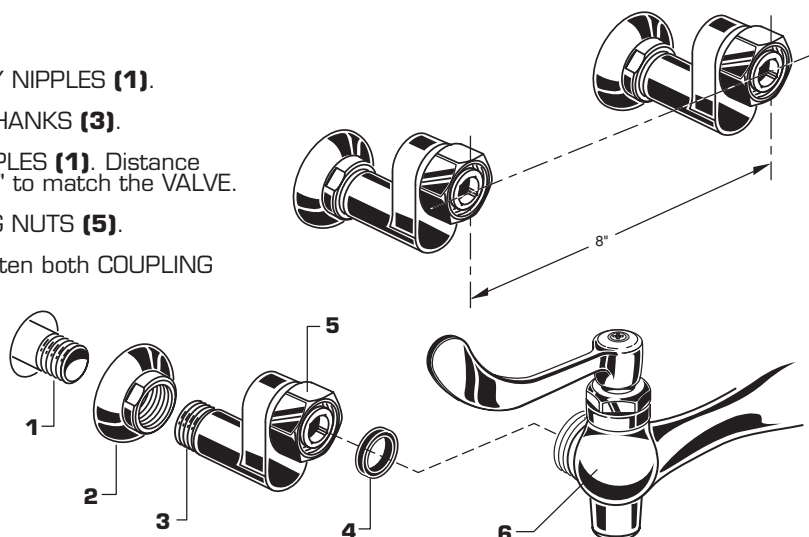
**1 ROUGH-IN**

- Prepare water supply lines per "Roughing-in Dimensions". Install 1/2" NPT. SUPPLY NIPPLES



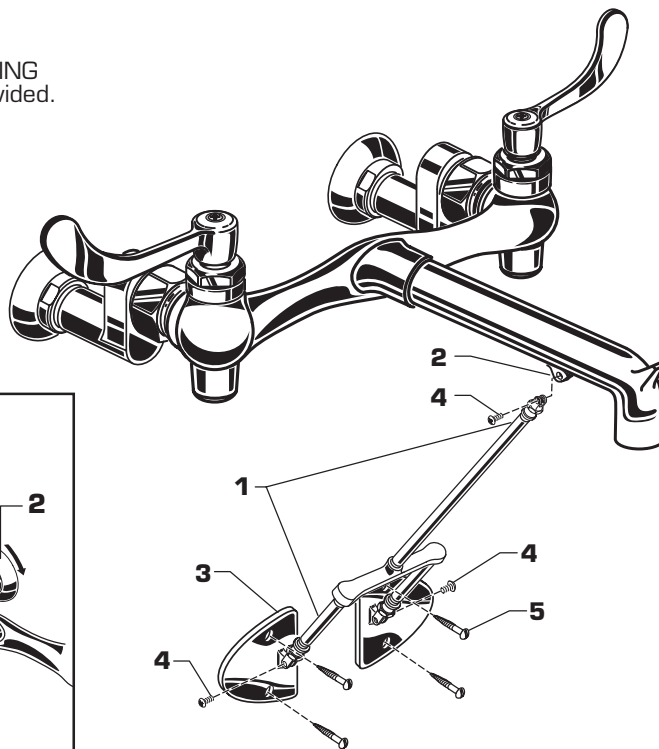
## 2 FINISH INSTALLATION

- Apply thread sealant or teflon tape to SUPPLY NIPPLES (1).
- Thread ESCUTCHEONS (2) fully onto INLET SHANKS (3).
- Thread INLET SHANKS (3) onto SUPPLY NIPPLES (1). Distance between INLET SHANK (3) outlets must be 8" to match the VALVE.
- Insert RUBBER WASHERS (4) into COUPLING NUTS (5).
- Attach VALVE (6) to INLET SHANKS (3). Tighten both COUPLING NUTS (5) firmly.



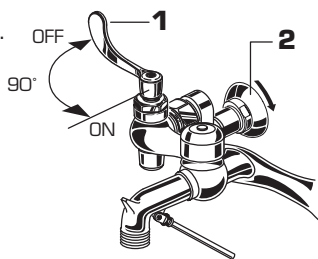
## 3 ATTACH SPOUT BRACE

- Attach SPOUT BRACE (1) to SPOUT (2) and WALL MOUNTING PLATES (3) with the three SPOUT BRACE SCREWS (4) provided.
- IF WALL MOUNTING PLATES (3) are not fastened to a wall support within the wall, use wall anchors with MOUNTING SCREWS (5).
- Mark mounting hole location on wall and fasten MOUNTING PLATE (3) to wall with MOUNTING SCREWS (5) provided.



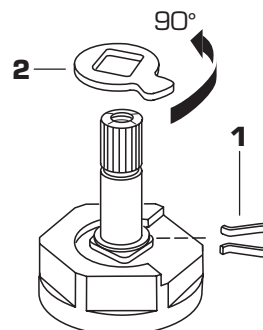
## 4 TEST FAUCET

- Turn HANDLES (1) TO OFF POSITION.
- Slowly turn water supplies on and check all connections for leaks.
- Operate HANDLES to flush water lines thoroughly.
- Turn HANDLES to OFF position.
- Thread ESCUTCHEONS (2) against finished wall.



## 5 SERVICE

- To change direction of handle rotation, proceed as follows:
  - Turn HANDLE to OFF position.
  - Remove HANDLE SCREW and HANDLE.
  - Remove SPRING CLIP (1).
  - Lift STOP WASHER (2), turn 90° and replace.
  - Replace SPRING CLIP (1).
  - Replace HANDLE and HANDLE SCREW.
- If spout drips, operate handles several times from OFF to ON position. Do not force - handles turn only 90°.



### CARE INSTRUCTIONS:

**DO: SIMPLY RINSE THE PRODUCT CLEAN WITH CLEAR WATER. DRY WITH A SOFT COTTON FLANNEL CLOTH.**  
**DO NOT: DO NOT CLEAN THE PRODUCT WITH SOAPS, ACID, POLISH, ABRASIVES, HARSH CLEANERS, OR A CLOTH WITH A COARSE SURFACE.**

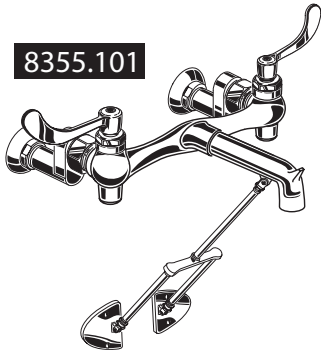
*American Standard*

**Exposed Yoke Wall Mount Utility Faucet with Bottom Brace**

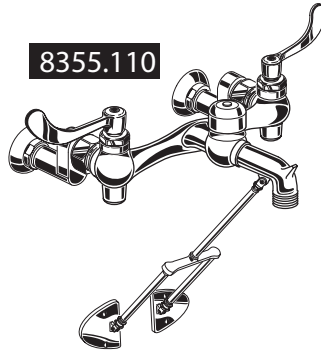
MODEL NUMBER

**8355.110.002**  
**8355.101.002**  
**8345.115.002**

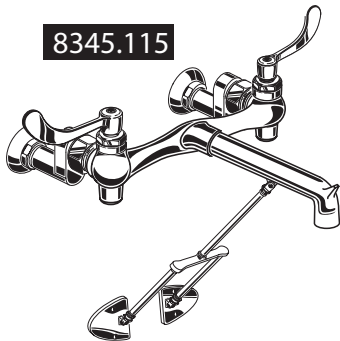
**8355.101**



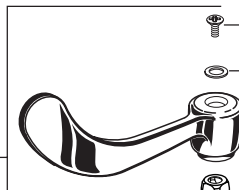
**8355.110**



**8345.115**



**051217-0020A**  
WRIST BLADE HANDLE



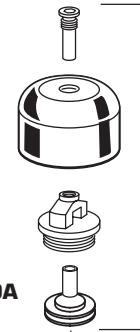
**000690-0020A**  
HANDLE SCREW  
**051211-0070A**  
INDEX KIT (PAIR)



**M918014-0070A**  
ADAPTER



**M962952-0020A**  
VACUUM BREAKER REPAIR KIT



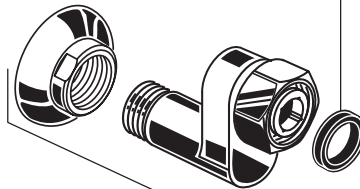
**904939-0020A**  
BONNET NUT



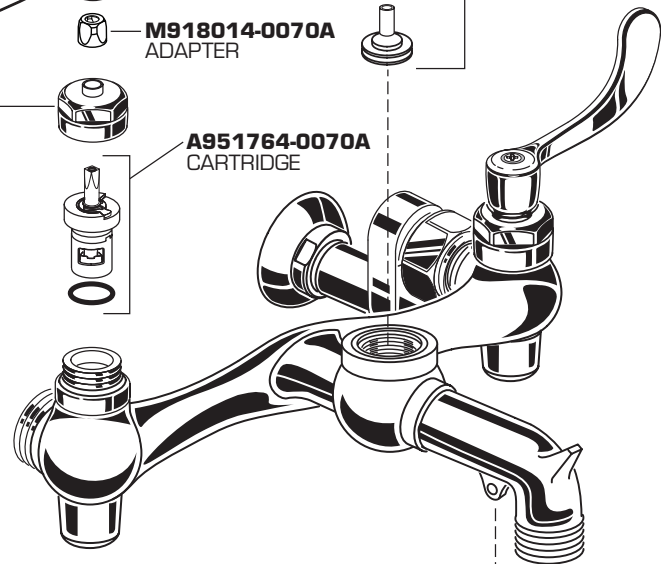
**A951764-0070A**  
CARTRIDGE



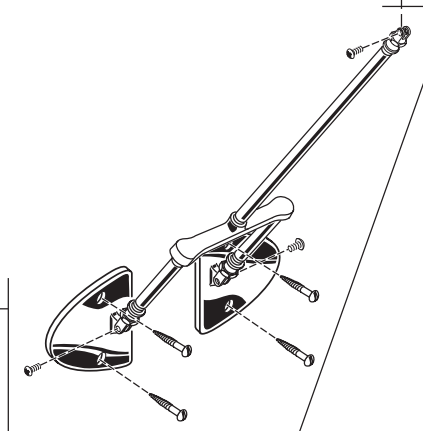
**M911631-0070A**  
GASKET



**M964433-0020A**  
FEMALE OFF-SET SHANK KIT WITH ESCUTCHEON



**M962091-0020A**  
SPOUT BRACE



Appropriate Finish Code

CHROME 002

**HOT LINE FOR HELP**

For toll-free information and answers to your questions, call:  
 1-800-442-1902  
 Weekdays 8:00 a.m. to 6:00 p.m. EST  
 IN CANADA 1-800-387-0369 (TORONTO 1-905-306-1093)  
 Weekdays 8:00 a.m. to 7:00 p.m. EST  
 IN MEXICO 01-800-839-1200



Product names listed herein are trademarks of American Standard Inc.  
 © AS America, Inc. 2010

M965042 Rev.1.5